

# DELABIE

Water Controls  
for Healthcare Facilities  
and Retirement Homes



## CONTACTS

### HEAD OFFICE & PRODUCTION SITE

18, rue du Maréchal Foch  
80130 Friville  
FRANCE

delabie.com

### EXPORT

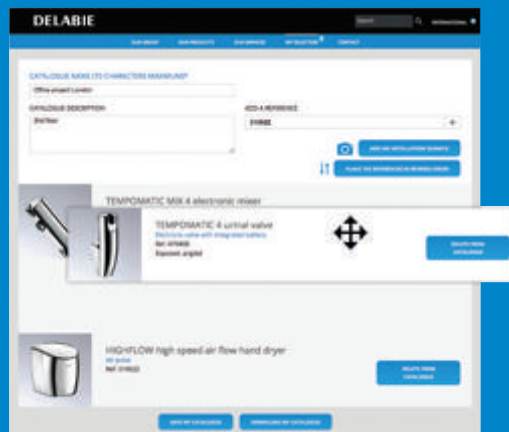
Tel. +33 (0)3 22 60 22 72  
Fax +33 (0)3 22 60 22 82  
export@delabie.fr

### QUOTES

Tel. +33 (0)3 22 60 22 72  
Fax +33 (0)3 22 60 22 82  
export.quotes@delabie.fr

### TECHNICAL SUPPORT

Tel. +33 (0)3 22 60 22 74  
Fax +33 (0)3 22 30 31 07  
sav@delabie.fr



## CREATE A PERSONALISED CATALOGUE

Create your own catalogue using your own product selection.

You can personalise it by giving it a project name and description, by choosing the order for the products to appear and by adding lifestyle images.

This catalogue will then be available in **Word, PDF and Excel** formats.

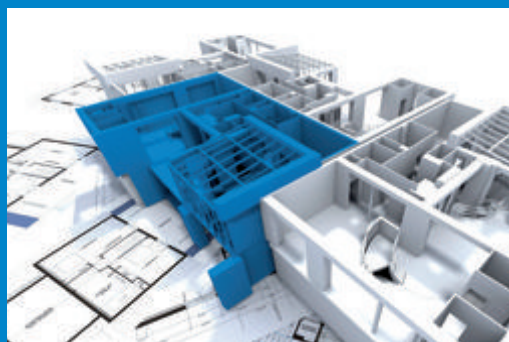


## DATASHARE: ALL THE DOCUMENTS ARE FREELY AVAILABLE

Datashare is DELABIE's platform to download files.

There is no need to sign-in.

Product files, technical descriptions, photos, line drawings, BIM and AutoCAD files, installation guides and certificates are all available online.



## BIM: DELABIE'S CORE PRODUCTS ARE NOW AVAILABLE

To meet the requirements of BIM technology, DELABIE has modelled its core products.

Available in 2 formats - **REVIT** and **IFC**, the files can be downloaded via the relevant product data sheet or via datashare.

The list of references available in BIM format is available in **Our Services - BIM Files**.



Certification  
ISO 9001: 2015  
quality management  
system

## ACS

### Certificate of Sanitary Conformity.

All DELABIE products conform to the CPDW\* directive modified 29/05/1997, and the French Ministry of Health circular DGS/SD7A2002 no. 571 dated 25/11/2002.

\* Construction Products in Contact with Drinking Water (European Commission).

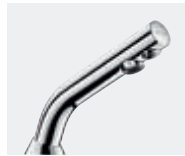
## SUITABLE FOR TABLETS AND SMARTPHONES





ANTI-BACTERIAL BIOFIL SPOUTS..... 20  
ANTI-BACTERIAL BIOFIL CARTRIDGES..... 26  
ANTI-BACTERIAL BIOFIL SHOWER HEADS... 27

TERMINAL  
FILTERS  
**19**



ELECTRONIC CONTROLS..... 31  
FOOT  
OR KNEE-OPERATED CONTROLS..... 46  
SPOUTS ..... 47



SECURITHERM  
THERMOSTATIC CONTROLS..... 53  
SECURITHERM  
PRESSURE-BALANCING CONTROLS..... 60

WASHBASINS  
SINKS  
TROUGHES  
**29**



CONTROLS  
WITH CERAMIC CARTRIDGES..... 72



ADDITIONAL FITTINGS..... 90



SECURITHERM  
THERMOSTATIC CONTROLS..... 101  
SECURITHERM  
PRESSURE-BALANCING CONTROLS..... 129



CONTROLS  
WITH CERAMIC CARTRIDGES..... 138

SHOWERS  
BATHS  
**99**



ADDITIONAL FITTINGS..... 148



BED PAN CLEANERS..... 158  
FLUSH VALVES FOR WCs..... 164  
FRAME SYSTEMS FOR WCs..... 175  
ADDITIONAL FITTINGS FOR WCs..... 184

BED PAN CLEANERS  
WCs  
FRAME SYSTEMS  
**157**



STAINLESS STEEL SANITARY WARE..... 188  
MINERALCAST SANITARY WARE..... 197

SANITARY WARE  
**187**



SHOWERS..... 200  
EYEWASH STATIONS..... 204

SAFETY  
SHOWERS  
**199**

SPARE PARTS..... 208  
CERTIFICATION & STANDARDS..... 212  
REFERENCE INDEX..... 216

MAINTENANCE  
STANDARDS - INDEX  
**207**



# Specific solutions to the problems faced by healthcare facilities and retirement homes

**4** INFECTION CONTROL  
WATER QUALITY REGULATIONS

---

**10** DELABIE'S SOLUTIONS FOR INFECTION CONTROL

---

**12** DELABIE'S SOLUTIONS TO REDUCE THE RISK OF SCALDING

---

**14** DELABIE'S SOLUTIONS FOR EASE, COMFORT AND ERGONOMICS

---

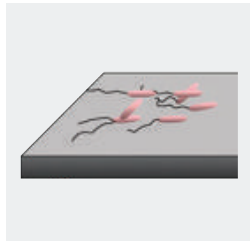
**15** DELABIE'S SOLUTIONS FOR WATER AND ENERGY SAVINGS

---

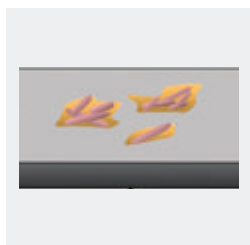
**16** ENVIRONMENTAL LABELS

---

**Stages in the development of biofilm on a surface**



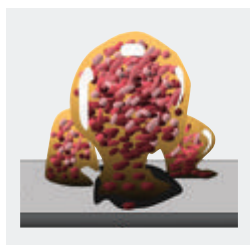
1: Cell attachment



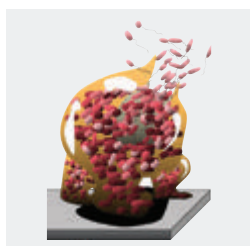
2: Irreversible cell attachment



3: Biofilm maturation phase I



4: Biofilm maturation phase II



5: Cell dispersion

Source: Chinks in the Armor of Bacterial biofilms Monroe D PLoS Biology Vol. 5, No. 11, e307 doi: 10.1371/journal.pbio.0050307/D. Davis.

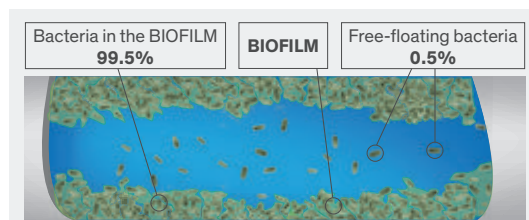
**CONTROLLING BIOFILM**

Naturally present in mixers, taps and pipework, biofilm is a collection of microorganisms (bacteria, algae, fungi, etc.) adhering to each other and to surfaces that are generally in contact with water, and which is characterised by the secretion of a protective and adhesive matrix.

Various studies have shown that, regardless of the material used (copper, CPVC, stainless steel, polypropylene, etc.), biofilm forms systematically after several weeks or months.

99.5% of bacteria found in these installations are trapped in the biofilm, which provides the ideal environment (water, temperature and nutritional conditions) for them to proliferate. If the conditions are favourable, the bacteria multiply and form aggregates that can easily become detached and contaminate the water supply.

Since biofilm is impossible to eradicate, healthcare facilities must do everything in their power to limit bacterial proliferation.



**THE FIGHT AGAINST WATERBORNE BACTERIA**

Infection control must be the priority for healthcare facilities, which shelter many germs such as viruses and bacteria. There are two types of waterborne bacteria which are responsible for healthcare acquired infections in hospitals:

- bacteria in the system which develop when in contact with water e.g. *Legionella* spp.
- bacteria at the point-of-use (water controls) which develop when in contact with air/water e.g. *Pseudomonas aeruginosa*, *Mycobacterium avium*, *Mycobacterium xenopi*, etc.

Since these two types of bacteria are very different, bacteriological monitoring must be appropriate for both types.

**LEGIONELLA**

This bacteria lives naturally in soft water and artificial hydric environments.

For optimal development *Legionella* requires 2 main elements:

- water at a temperature between 25°C and 45°C.
- stagnating water in the presence of scale or corrosive elements.

Infections are contracted via breathing (inhaling aerosolised contaminated water) and can be the origin of a serious pulmonary infection: Legionellosis.

**MONITORING FOR LEGIONELLA SPP.**

The Health and Safety Executive (HSE) guidance for the control of *Legionella* bacteria in hot and cold water systems states that monitoring for *Legionella* should be carried out:

- when water is treated with biocides or when distribution temperatures are reduced from HSE guidelines.
- where water treatment regime control levels are not being consistently achieved.
- where there is a high-risk of contamination e.g. hospitals and care homes.
- where an outbreak of Legionellosis has been identified. (Source: HSG274 part 2 published in 2014).

**Monitoring levels for *Legionella* spp.:**

<b>Alert level</b>	< 100 CFU/L
<b>Remedial action</b>	> 100 CFU/L up to 1,000 CFU/L
<b>Curative action</b>	> 1,000 CFU/L

CFU/L: Colony forming units/Litre

For high-risk patients in hospitals the draw-off at the point-of-use should always be free of *Legionella* spp. bacteria.

## PSEUDOMONAS AERUGINOSA

More than a **third of all cases of *Pseudomonas aeruginosa* originate while the patient is in hospital care** (37.16%).

*Pseudomonas aeruginosa*, present on floors and in wet environments (taps, pipework...), requires 2 elements in order to develop:

- water at a temperature between 4°C and 46°C (optimal development between 30°C and 37°C).
- oxygen present in the air.

*Pseudomonas aeruginosa* is transmitted by hand by healthcare staff and via infected medical equipment. Invasive surgery presents a high risk of transmission of infectious agents.

There are several levels of *Pseudomonas aeruginosa* contamination.

### ***Pseudomonas aeruginosa* development in the spout**

*Pseudomonas aeruginosa* primarily contaminates mixer and tap spouts, since it needs a mixture of air and water to develop.

Biofilm, niches and cavities in the spout walls protect the bacteria from treatments, and provide the ideal environment for the bacteria to proliferate.

At the outlet, *Pseudomonas aeruginosa* finds all the necessary conditions to develop and proliferate, establishing permanent colonies in mixers and taps.

Even cleaning spouts and flow straighteners regularly is ineffective.

### ***Pseudomonas aeruginosa* development in flexible hoses and pipework**

Once established in the biofilm in mixers and taps, *Pseudomonas aeruginosa* continues to develop and will gradually colonise the flexibles and pipework unless an effective solution is put in place.

**By this stage it is impossible to eradicate *Pseudomonas aeruginosa*, which then becomes a threat to the entire water system.**

**More than a 1/3 of *Pseudomonas aeruginosa* cases originate while the patient is in hospital care**

Source: Public Health England 2018  
*Pseudomonas aeruginosa*  
bacteraemia annual figures

## MONITORING FOR PSEUDOMONAS AERUGINOSA

In the UK, the Department of Health and Social Care (DHSC) conducted a study into contamination by *Pseudomonas aeruginosa* in mixers/taps and the water supply system.

This study resulted in the publication of technical guidance written specifically for augmented care units. This latter was incorporated in the revised version of the HTM 04-01 Part B in 2016 which outlines what action to take when healthcare facilities become contaminated with *Pseudomonas aeruginosa*.

In order to assess the level of water contamination by *Pseudomonas aeruginosa*, the DHSC recommends sampling the first water to be delivered from the outlet. Furthermore, to maximise the recovery of free-floating bacteria it recommends taking samples:

- at least 2 hours (preferably longer) after the last draw-off at outlets used on a daily basis.
- on outlets that are used infrequently.

### Monitoring levels for *Pseudomonas aeruginosa*:

<b>Satisfactory level</b>	< 1 CFU/100mL
<b>Alert level</b>	1 - 10 CFU/100mL
<b>Curative action</b>	> 10 CFU/100mL

CFU/mL: Colony Forming Units/millilitre

**For *Legionella* spp., the alert level is 100 CFU/L and the level for curative action is 1,000 CFU/L.**

**In its report, the DHSC indicates that for *Pseudomonas aeruginosa*, the alert level is 1 CFU/100mL.**

At levels between 1 and 10 CFU/100mL, the DHSC recommends a re-test and a risk assessment to determine the appropriate measures.

For levels over 10 CFU/100mL an engineering survey may be necessary to identify problem areas and the remedial action required.

**The results of successive samples will indicate the source of contamination in healthcare facilities. A sample with > 10 CFU/100mL for the pre-flush sample (1<sup>st</sup> draw-off) and levels of < 10 CFU/100mL for the post-flush sample (2<sup>nd</sup> draw-off) suggests *Pseudomonas aeruginosa* contamination at or near the outlet. However, if the pre- and post-flush samples show > 10 CFU/100mL, the contamination source is upstream in the system.**

If the water sample results are satisfactory i.e. 0 CFU/100mL the DHSC advises repeat tests every six months.

In its report the DHSC clearly indicates that disinfecting the water supply (hot and cold) is insufficient for removing an established biofilm. It recommends that, where installed, removable taps should be periodically removed for internal cleaning to remove any biofilm and bacteria residing within. Healthcare facilities should establish regular cleaning protocols. See more about DELABIE's solutions on page 10.



Petri dish with *Pseudomonas aeruginosa* cells





## WATER QUALITY: VARIOUS MONITORING POLICIES

France, Germany, the United Kingdom and the majority of European countries, each has their own specific regulatory requirements for monitoring bacteria in water systems.

These regulations have a common premise that can be found everywhere (circulating loops, hot water temperatures, etc.) but they also have specific aspects that could provide inspiration for other countries.

In the majority of European countries there is a legal obligation to safeguard the bacteriological quality of the water in the system by regular monitoring, sampling and analysis. However, the methods, and subsequent follow-up action, differ.

In France, the search for *Legionella* is obligatory. The Directive of 1<sup>st</sup> February 2010 identifies three levels of monitoring and sampling protocols. Since 1<sup>st</sup> January 2012, monitoring has been extended to all buildings open to the public.

Germany has adopted the same threshold levels as France, while the United Kingdom is stricter: it conducts additional testing at levels over 100 Colony Forming Units per litre (CFU/L) and initiates curative procedures above 1,000 CFU/L.

*Pseudomonas aeruginosa*, considered the third largest cause of fatal nosocomial infections, is also being monitored. In France there aren't any regulations. Nevertheless, the technical guide "Water in healthcare establishments" drawn up in 2005 by a working group under the aegis of the Ministry of Health, mentions the monitoring levels for *Bacillus pyocyanus* (*Pseudomonas*).

This guide recommends quarterly checks at points where water is considered to be representative of the actual quality of distributed water.

The *Department of Health and Social Care* (DHSC), Ministry of Health for the United Kingdom, has addressed the issue of tap and water system contamination by this bacteria.

The *Health Technical Memorandum* (HTM 04-01) updated in 2016, provides guidance on best practice for monitoring and testing for these two pathogens, and identifying the level of contamination in water, to ensure compliance with current regulations.

For *Pseudomonas aeruginosa*, action is initiated as soon as the alert level is reached, that is to say, above 1 CFU/100mL, as is done in France.

In Germany, in the framework of monitoring for *Pseudomonas aeruginosa*, hospitals and healthcare establishments must test twice a year. The satisfactory level is 0 CFU/100mL.

Remember that this bacteria, which colonises the system from the interior of tap/mixer spouts, rapidly becomes entrenched. If no solution is put in place once *Pseudomonas aeruginosa* is established in a mixer or tap, it will progressively colonise the tails and pipework. At this stage it will be impossible to eradicate and will become a threat to the whole system.

4.1 million  
healthcare acquired  
infections in Europe  
of which  
37,000  
are fatal

37%  
of cases  
of *Pseudomonas*  
originate  
in hospitals



**The bacteria that form biofilms on the surface of certain materials are responsible for one third of healthcare-acquired infections (HCAIs).**

According to the *National Institute for Health and Care Excellence* (NICE, 2014), it is estimated that 300,000 patients in England acquire an HCAI as a result of care within the NHS. In 2011, the prevalence of HCAIs in hospitals in England was 6.4%. In a 2012 study by the French national *Institution for Health Monitoring* (IHM), one in twenty (5%) French healthcare patients contracted an infection from the facility that was caring for them. This represents approximately 750,000 infections a year, of which 4,200 were fatal.

The *European Centre for Disease Prevention and Control* (ECDC) calculates that HCAIs affect 4.1 million patients every year and are responsible for 37,000 deaths annually.

Not forgetting that non-healthcare buildings that are open to the public are also at high risk. In effect, according to statistics by the *French National Institute for Public Health Surveillance* (InVs), 30% of *Legionella* cases identified in 2015 were linked to visits to hotels, tourist accommodation, campsites, swimming pools and sports stadia, compared to 14% linked to healthcare facilities (hospitals, retirement homes, etc.).

## EUROPEAN WATER QUALITY REGULATIONS



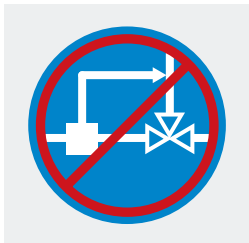
Stagnation prohibited

### Regular flush

According to the French, German and English regulations, water stagnation (in sanitary installations and mixers and taps) is a key factor in bacterial contamination.

The **European standard EN 806-5** requires that those sections of the installation that are used infrequently should be flushed at regular intervals. The recommended interval is once a week.

**All public and commercial buildings** are affected, in particular schools and council buildings during the school holidays, campsites out of season, unoccupied hospital rooms, etc.



Bypass prohibited

The German directive of April 2013, *Hygiene in Drinking Water Installations VDI/DVGW 6023*, requires purging to be carried out after 72 hours of stagnation in a sanitary installation (this also includes storage tanks).

Note that the water in the bypass is not sufficiently renewed. They are therefore prohibited. If an installation is not used for 72 hours, rigorous protocols are put in place. DELABIE sees this as a step forward and proposes technical solutions to meet this requirement (see *opposite*: electronic controls).



Measuring pressure

“The German directive requires purging to be carried out after 72 hours of stagnation.”

### Undersized pipework

The German regulation strictly prohibits oversized pipework because they promote bacterial growth by reducing the water velocity.

**DELABIE, along the same lines, recommends slightly decreasing the diameter of the pipes to increase the water velocity to 2m/sec.** (likewise the French regulation (DTU) recommends 1.5 m/sec.).

This measure prevents the excessive development of biofilm and helps to reduce the risk of contamination without increasing noise levels.



Measuring the temperature

“Oversized pipes are strictly prohibited.”



Training relevant personnel

### Training

Understanding the problems associated with bacterial growth in water systems helps to limit the risk of contamination.

Although French legislators have not yet focused on **training those responsible for the water system, it is embedded and pursued in Germany** (with three training levels, depending on the level of responsibility) **and in the United Kingdom** (with personnel competency and training programmes monitored by the *Water Safety Group*).

“Training those responsible helps to control bacterial proliferation.”

### Removable mixers and taps

In addition to preventative measures, the HSE (*Health and Safety Executive*) recommends the use of mixers and taps that can be easily removed for regular internal cleaning; a mechanical intervention that is effective for removing biofilm.

### Circulating loops

A circulating loop up to the point-of-use is not recommended. It doubles the length of the pipework and therefore double the water volume. The biofilm surface is increased and, as a result, the risk of bacterial development. Moreover, it makes it difficult to maintain high temperatures at all points in the circulating loop.

Finally, it also makes it difficult to keep the pipe run volume to less than the 3 litres recommended by European directives. Indeed, if the water temperature in a circulating loop is less than 50°C or 55°C (depending on the country), the water volume in the circulating loop must be included in the 3-litre maximum calculation.

“A circulating loop up to the point-of-use is not recommended.”

### Building Management Systems

Contrary to popular belief, Building Management Systems are not recommended by European directives as they can be complicated, difficult to handle and extremely costly and do not take away liability if a problem occurs.

Indeed, changing the setting adjustments, which is possible on these systems, can be dangerous and implies a high degree of liability.

## DELABIE'S SPECIFIC ADVANTAGES

DELABIE is particularly concerned with the fight against, and prevention of, bacterial development. The company is constantly developing new products with unique features.

### Adapted water controls

DELABIE offers water controls with **low water volumes** which have **smooth surfaces** in contact with the water, and **removable** mixers and taps, fitted with flexible hoses or tails, with reduced water passages... in order to reduce the risk of bacterial development considerably.

For more information see page 10.

### Electronic controls

DELABIE's models are programmed with a periodic duty flush. An **automatic flush** takes place every 24 hours after the last use to prevent water stagnation and, therefore, bacterial proliferation.

Similarly, DELABIE has developed a **reduced-stagnation solenoid valve (patented)**.

Unlike all other available models which have areas of permanent water stagnation, the water is completely renewed inside DELABIE's solenoid valve. For more information see page 31.

Thanks to these characteristics, DELABIE's electronic controls are the only ones to guarantee a regular and complete renewal of the water in all the internal parts, avoiding any risk of bacterial proliferation. They are therefore the only ones which comply with the European standard EN 806-5.

DELABIE's electronic controls are unique in being able to guarantee a **regular and complete renewal of the water** in all the internal parts.

Required by the standard EN 806-5

### Thermostatic mixing valves

To reduce the risk of bacterial development (Legionella etc.), public buildings should distribute hot water at temperatures of at least 50°C (55°C in healthcare facilities). To reduce the risk of scalding, all DELABIE's thermostatic mixing valves are fitted with **special safety devices**.

They are supplied with a maximum temperature limiter pre-set at the factory.

The PREMIX range of group thermostatic mixing valves allows the facilities manager to maintain temperatures that comply with the regulations while ensuring user safety.

For more information see page 155.

**Scalding can also be prevented** at the point-of-use itself thanks to the SECURITHERM range of mixers and shower panels.

PREMIX and SECURITHERM models ensure that the hot water supply shuts off if the cold water supply fails.

### Direct flush with no cistern

The insides of toilet cisterns are covered in biofilm. The large surface area of cisterns, plus water stagnation, make the cistern a major risk factor for the proliferation of bacteria that can spread in sanitary installations.

**By removing the need for toilet cisterns, DELABIE's direct flush valves eliminate the risk of bacterial proliferation.**

For more information see pages 164-165.

### Flush systems with no cistern

- ▶ no water stagnation
- ▶ no bacterial development



Reduced-stagnation solenoid valve



TEMPOMATIC MIX 4  
Automatic duty flush  
Reduced-stagnation  
solenoid valve



BIOCLIP  
Removable mixer



PREMIX  
Maintains the temperature  
in the system  
Anti-scalding safety



TEMPOFLUX 3  
Direct flush with no cistern



## DELABIE'S SOLUTIONS FOR INFECTION CONTROL

### THE BIOSAFE CONCEPT

*Pseudomonas aeruginosa* mostly contaminates mixers and taps at the terminal, i.e. inside the spout and its outlet. As a result, this part of the mixer/tap should be the subject of special attention in order to limit bacterial development. To this end, DELABIE has designed specialist controls that facilitate preventative action and, if necessary, curative action if contamination occurs.

#### BIOCLIP removable mixers and taps for cleaning/disinfection

The BIOCLIP range of mixers and taps can be fitted with specialist spouts and the whole interior can be cleaned - the only way to eliminate biofilm completely - helping to fight effectively against bacterial development.

- **Mixers with removable BIOCLIP spouts**

Mixers are supplied with two stainless steel spouts. The second spout ensures continuous use while the first is being cleaned. Alternative options are:

- Disposable spouts: each spout must be replaced periodically, depending on the type of installation.
- BIOFIL filtration spouts: these spouts guarantee the bacteriological quality of the water.

- **BIOCLIP removable mixers**

Mixers that can be completely removed from their base for curative or preventative measures in healthcare facilities:

- **Curative action:** bacteriological monitoring in healthcare environments sometimes requires remedial action. If mixers and taps are contaminated by *Legionella* spp. or *Pseudomonas aeruginosa*, they can be easily removed by maintenance staff to enable the interior to be completely cleaned.
- **Preventative action:** to minimise the risk of bacterial proliferation in mixers and taps, DELABIE recommends concentrating on preventative measures.

BIOCLIP mixers and taps allow healthcare facilities to establish regular cleaning protocols (from every 6 months to every 2 years depending on the type of facility) to eliminate biofilm and bacteria.

#### Mixers and taps with low volume of standing water

Some of DELABIE's mixers have specifically designed interiors that reduce the volume of standing water in the body, and thus significantly reduce the risk of bacterial development.

#### Mixers and taps with smooth interiors

All the internal parts of certain DELABIE's models are completely smooth, reducing biofilm attachment and making it easier to treat.

A study in June 2010 by the BioPI laboratory and the Department for Biological Studies at Jules Verne University in Amiens, France showed that under constant conditions, mixers and taps with smooth interiors have *Pseudomonas aeruginosa* contamination levels 14 times lower than those mixers and taps with rough bodies.

#### Electronic controls with duty flush programme

To overcome water stagnation in water systems, all DELABIE's electronic controls are programmed with a periodic duty flush to prevent bacterial proliferation. An automatic flush takes place for ~60 seconds every 24 hours after the last use (programmable on some models). As a result, bacteria do not have the opportunity to develop.

#### Water controls without non-return valves

##### Cross flow between SHW/SCW is impossible

DELABIE has developed a unique patent enabling us to produce thermostatic mixers with Hot and Cold Water closing directly on the inlets, meaning there is no need for non-return valves. The risk of cross flow is eliminated.

See opposite for more information.

#### BIOSAFE hygienic outlet

Made from Hostaform®, its smooth internal surface provides nowhere for impurities or scale to adhere reducing the emergence and spread of bacteria and germs in damp conditions.

It can only be installed on a mixer or tap that already has a restricted flow rate to ensure a good flow with no splashing.

For more information see page 97.

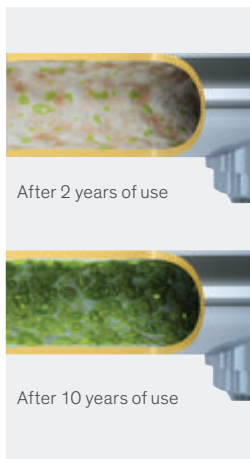
#### BIOFIL terminal filtration

BIOFIL anti-bacterial filters guarantee bacteriologically controlled water at the point-of-use and protect the user's well-being.

Each BIOFIL filter incorporates a hollow fibre membrane with a water filtration threshold of 0.1 micron absolute-rated. They deliver water free from microorganisms, providing total protection against waterborne infection.

The BIOFIL range includes cartridges, shower heads and filtration spouts.

For more information see pages 25-27.



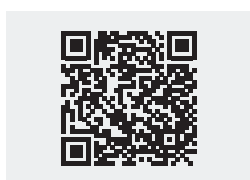
Inside a mixer where there are no cleaning protocols in place



Inside a mixer where there are regular cleaning protocols in place



Low volume of standing water



Discover our BIOSAFE solutions video

## THE END OF NON-RETURN VALVES

The use of water in healthcare facilities involves significant sanitary constraints. Bacterial contamination of water systems represents an extremely high risk to the health of patients with weak immune systems, mainly linked to the proliferation of *Legionella* spp. and *Pseudomonas aeruginosa*.

Cross flow between hot and cold water inevitably creates conditions favourable to bacterial development in water controls. In order to avoid this risk, all conventional thermostatic mixers have non-return valves. Therefore **non-return valves are not reliable** because sooner or later impurities prevent them from being watertight. In the event of failure, **they are responsible for SHW/SCW cross flow causing irrecoverable conditions favourable to bacterial development inside water controls.**

A new French norm, the NF M, which came into action at the end of 2016, demands that the closing of mixers is located upstream of the mixing chamber. No more need since then for non-return valves on water inlets. Conventionally used to prevent the hot water from entering the cold water supply (or vice-versa, according to the higher pressure), these valves are today considered as principal causes of bacterial development. Non-return valves are not reliable because sooner or later, they scale up and are blocked by impurities meaning they are no longer able to carry out their function.

Excerpts from a legal expert's verdict in the investigation into the deaths, caused by Legionella, of 6 residents of a retirement home between 2006 and 2008 conclude that: *"the drop-off of the zinc and copper hydroxide found on the non-return valves located upstream of the thermostatic mixer are responsible for the CW being heated up by the HW. It's the triggering factor for bacterial proliferation ..."*.

It is therefore fundamental that **the closing mechanisms on water controls be located upstream of the mixing chamber in order to prevent all cross flow between SHW and SCW. As such, the non-return valves, whose reliability cannot be guaranteed, become redundant.**

**DELABIE has developed a unique patent enabling us to produce thermostatic mixers that do not need non-return valves. The risk of cross flow is therefore completely eliminated.**  
For more information see page 110.



SECURITHERM BIOSAFE H9769

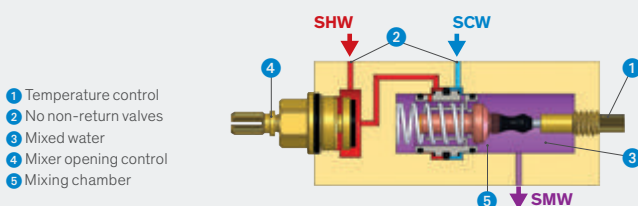


SECURITHERM H9630



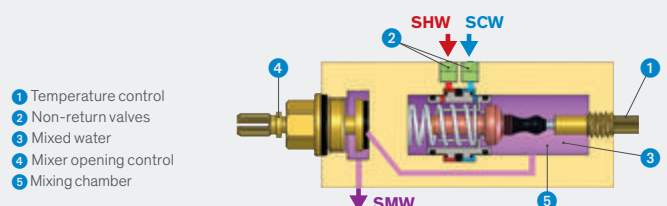
BIOSAFE 2621

### DELABIE THERMOSTATIC TECHNOLOGY



By closing the control ④, the SHW is closed. The thermostatic cell therefore closes the SCW. There is no risk of cross flow between SHW and SCW.

### CONVENTIONAL THERMOSTATIC TECHNOLOGY



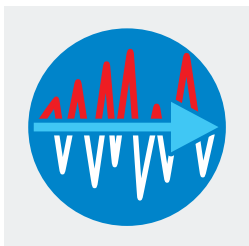
Sooner or later, the non-return valves are obstructed by impurities causing cross flow between the SHW and the SCW, responsible for bacterial development.



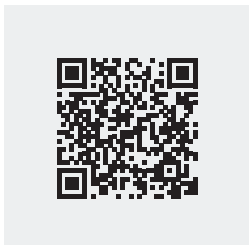
Anti-scalding safety



Maximum temperature limiter



Temperature stability



Discover our SECURITHERM solutions video

## DELABIE'S SOLUTIONS TO REDUCE THE RISK OF SCALDING

### THE SECURITHERM CONCEPT

To reduce the risk of bacterial development (*Legionella* spp., *Pseudomonas aeruginosa*, etc.) healthcare facilities must produce and distribute hot water at high temperatures (HSE Approved Code of Practice and Guidance document HSG274 Part 2). The risk of cutaneous scalding increases considerably for hospital patients with reduced sensitivity and/or slower reflexes.

According to the World Health Organisation, hot water is a major cause of scalding (between 20 and 30%).

Every year in the UK, 600 people suffer severe scald injuries.

Three-quarters of the victims are under the age of five (source: RoSPA).

This risk is particularly high for mentally or physically disabled people or the elderly, mainly if they accidentally change the temperature setting from its initial setting.

**It is therefore essential to maintain a maximum temperature that reduces the risk of scalding by introducing safety devices.**

HSE guidelines state that where a significant risk of scalding has been identified, point-of-use TMVs should be considered for baths and showers to deliver water at safe temperatures (see pages 90 and 155).

The risk of scalding can also be controlled at the point-of-use thanks to the SECURITHERM range of mixers and shower panels.

**Hot sanitary water**  
- 20 to 30%  
of scalds worldwide

### Mixers with a temperature limiter

All DELABIE's mixers are supplied with a maximum temperature limiter. The user cannot increase the temperature above the temperature limit (maximum temperature depends on the model) reducing the risk of scalding.

The temperature limiter is set at the factory to save time during installation, but it may be adjusted by the installer.

### Mixers that regulate or stabilise the temperature

#### • SECURITHERM individual thermostatic mixers:

A thermostatic cartridge guarantees temperature stability regardless of variations of pressure or flow rate in the circuit.

#### • SECURITHERM mixers with «EP» cartridge:

The EP pressure-balancing cartridge compensates for the unavoidable variations in pressure in the system ensuring that the water temperature at the outlet remains constant.

### Mixers with automatic anti-scalding failsafe

SECURITHERM technology ensures an automatic and instant failsafe for users.

#### • SECURITHERM individual thermostatic mixers:

In the event of failure of the Cold Water supply, thermostatic mixers shut off the Hot Water immediately.

In the event of failure of the Hot Water supply, they also shut off the Cold Water.

#### • SECURITHERM mixers with «EP» cartridge:

In the event of Cold Water failure, the Hot Water flow rate on EP mixers is reduced therefore removing the risk of scalding for the user. In the event of Hot Water failure, the Cold Water is likewise reduced.

### Correlation between temperature and the risk of scalding:

<b>At 60°C</b>	3 <sup>rd</sup> degree burns in 3 seconds on average: 5 seconds for an adult, 1 - 2 seconds for a child
<b>At 50°C</b>	Burns in 7 seconds 3 <sup>rd</sup> degree burns in 100 sec.

Source: Centre for Burns, St Joseph and St Luc Hospital in Lyon, France

**Mixers with Securitouch thermal insulation**

DELABIE has placed an increased emphasis on safety with its new generation of Securitouch mixers. In general, the bodies of mixers are made from chrome-plated brass. Since metal is an effective heat conductor, it is very easy for people to burn themselves even when only brushing against the surface of the mixer. With Securitouch technology any risk of burns from the patient touching the mixer or grabbing it following a slip or loss of balance in the shower is eliminated.

- **Individual SECURITHERM thermostatic mixers:** SECURITHERM thermostatic mixers have been designed so that there is no thermal conduction along the length of the body, which prevents the risk of burns if touched.
- **SECURITHERM mixers with «EP» cartridges:** The body of certain Securitouch EP wall-mounted mechanical mixers is insulated from the hot water. Hot water flows up to the cartridge inside narrow tubes without coming into contact with the brass walls of the mixer.

**Thermal shock safety**

- **SECURITHERM individual thermostatic mixers:** With SECURITHERM thermostatic mixers it is possible to undertake thermal shocks at the temperature of the hot water in the system:
  - for refs. H974 1TP and H9752P dual control models only, unscrew the temperature adjustment cap using an Allen key and turn the valve spindle clockwise all the way to the right to override the temperature setting.
  - on all other dual control models simply press the little red button with a pointed tool to override the maximum temperature limiter.
  - remove the control lever to unblock the temperature limiter on sequential models.
- **SECURITHERM 2620 mixers with «EP» cartridge:** Mixers from the 2620EP range are the only mechanical mixers available where it is possible to undertake a thermal shock at the temperature of the Hot Water in the system without removing the control lever or shutting off the Cold Water supply. To override the temperature limiter, simply press the small red button at the back of the control lever. This characteristic is also standard on models with a classic ceramic cartridge.

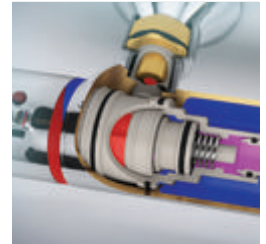


Unblock the maximum temperature limiter to carry out a thermal shock: simply push in the red button with a pointed tool.



Thermal shock at system temperature.

**Securitouch thermostatic mixer**



Total thermal insulation



Cool-touch

**Securitouch EP mixer**



Tube insulated from the mixer body



No risk of burns



Thermal shock safety

## DELABIE'S SOLUTIONS FOR EASE, COMFORT AND ERGONOMICS



High spout:  
optimised hand washing



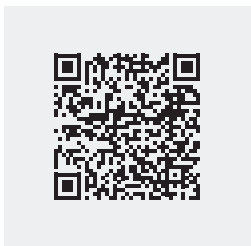
Sculptured control lever:  
easy to grip



Ergonomic controls



Long lever



Discover our Ergonomic and  
Accessibility solutions video

Domestic washbasin mixers and taps do not provide the necessary level of comfort for the residents of healthcare facilities and retirement homes. These domestic mixers/taps are designed for personal washing (for face washing or cleaning teeth etc.) and are not designed for washing the whole body.

### • Unsuitable dimensions

Residents in healthcare facilities and retirement homes include the sick, weak, elderly or disabled people. The mixers and taps used for personal hygiene should be suitable for the resident's physical needs and the required use (washing at a hand basin requires greater comfort). To ensure optimised washing, mixers and taps should have an increased spout height and projection.

### • Lack of ergonomics

The control knobs of conventional mixers and taps are not designed for easy gripping. Moreover, the movement required to adjust the flow rate and temperature is not always smooth. As a result, residents in healthcare facilities and retirement homes have to make an additional effort to operate the mixer or tap.

### Comfortable and easy to use

#### • Specific, adapted dimensions: high and extended spout (projection)

The dimensions of mixers and taps destined for patient bathrooms must be suitable for their range of movements, and offer them all the ease and comfort they require. DELABIE offers mixers and taps with higher and longer spouts than traditional mixers and taps. This allows patients to optimise hand washing and personal washing. Moreover, an increased drop height reduces the risk of bacteria splashing back from the waste or drain onto the spout. This also allows the installation of terminal micro-filters.

#### • Ergonomic controls

DELABIE offers a wide choice of ergonomic control levers to meet the specific needs of different users:

#### Controls with manual contact:

- Sculptured levers or ergonomic control knobs for an easy grip.
- Solid levers combining design and ergonomics.

#### Controls with no manual contact:

- Hygiene levers: these long levers are specifically designed for healthcare professionals and patients with reduced mobility, and can be controlled with no manual contact using the wrist, forearm or elbow.
- Infrared presence detection: DELABIE's electronic mixers and taps do not require any effort from the patient. The mixer/tap opens and closes automatically when hands are presented in the detection zone (with no manual contact) for superior comfort.

Besides the convenience and comfort they provide for the residents, these mixers and taps - which operate without manual contact - help prevent the spread of germs by hand (perfect hygiene).



## DELABIE'S SOLUTIONS FOR SAVING WATER AND ENERGY

Patients or residents tend to wash at a basin rather than take a shower as they have reduced autonomy (e.g. those weakened by illness, the elderly, semi-bedridden patients, those recovering from surgery, etc.). Washing at the washbasin takes longer (14 - 20 minutes) than showering (8 - 10 minutes on average) and involves a significant volume of water.

### Average water consumption per person per day:

Domestic consumption:  
137 litres per day per person

**H** Hospitals or similar:  
300 - 450 litres per day per bed

**♿** Retirement homes or care homes:  
up to 250 litres per day per bed

Source: Information Centre for Water (CIEAU) Water Agency, Loire Brittany

### DELABIE's mechanical mixers for washbasins deliver 45% water savings

Most mixer manufacturers regulate the flow rate inside the cartridge or at the mixer outlet. This inevitably creates counter pressure in the mixer, resulting in cross flow between the hot and cold water.

The majority of DELABIE's basin mixers with ceramic cartridges are fitted with a flow rate limiter at the hot and cold water inlets to achieve 5 lpm at the outlet. The water savings achieved are about 45% and user comfort is maintained. Controlling the flow rate at the inlet instead of the outlet prevents cross flow between hot and cold water, which causes the proliferation of bacteria upstream of the mixers.

## WATER SAVINGS IN HEALTHCARE FACILITIES

### The purchase cost of a DELABIE mixer can be covered by the water savings achieved

A comparison between a domestic mixer at 9 lpm, a DELABIE mixer at 5 lpm and a DELABIE electronic mixer at 4 lpm. The price per m<sup>3</sup> of mixed water is £7 excl. VAT.

Water savings achieved in a 400 bed hospital (patient rooms)	Conventional mixers	DELABIE mixers	DELABIE electronic mixers
Number of beds	400	400	400
Points-of-use for hand washing	BASIN	BASIN	BASIN
Average length of flow/day/bed	20 min.	20 min.	7.5 min.
Number of days used/year	290	290	290
Mixer consumption in lpm	9	5	4
Annual consumption in m <sup>3</sup>	20,880m <sup>3</sup>	11,600m <sup>3</sup>	3,480m <sup>3</sup>
Annual consumption in £	£146,160	£81,200	£24,360
Annual consumption per mixer in £	£365	£203	£61
Annual saving excl. VAT		£64,960	£121,800

### DELABIE's electronic mixers for washbasins: 85% water savings

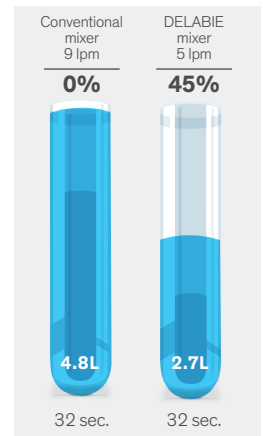
Compared to conventional mixers, DELABIE's electronic controls can offer maximum water savings. They maintain user comfort whilst optimising the water bill.

#### Automatic shut-off and split delivery

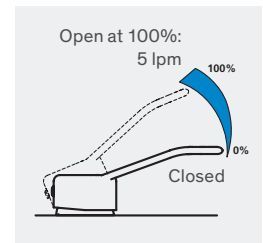
The mixer or tap shuts off automatically when hands are removed from the detection zone. This removes the risk of waste through negligence. The flow time is reduced to the necessary minimum (wetting, rinsing).

#### Regulated flow rate

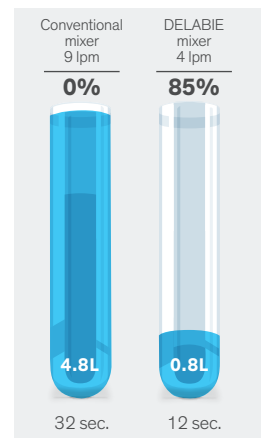
Some of DELABIE's electronic mixers and taps are regulated at 4 lpm. The majority of DELABIE's electronic mixers and taps are, however, regulated at 3 lpm. The flow rate remains constant regardless of pressure variations in the system.



Water savings per use by DELABIE's mechanical mixer



DELABIE's mechanical mixer



Water savings per use by DELABIE's electronic mixer



DELABIE's electronic mixer

### ENVIRONMENTAL LABELS

Saving drinking water is a growing concern, whether it is to achieve green credentials for a building or, more generally, in an ecological context.

**An adapted mixer, tap or valve ensures the sanitary quality of the water and its sustainable use.**

Today, many project owners want an accreditation for their building as solid proof of its environmental performance. Destined for accommodation, industrial or commercial use, the certified building sees its heritage value increase with a "sustainability stamp".

In the current context of global warming and the rising cost of energy resources, sustainable use of the building is synonymous with saving energy.

Reducing water consumption is also an integral part of achieving accreditation.

These savings also help to reduce the energy bill by reducing the energy required to heat the water (it takes approximately 34kW to heat 1m<sup>3</sup> of water).

**DELABIE is committed to the environmental approach for buildings in accordance with the main environmental labels such as BREEAM, LEED, HQE, ESTIDAMA, etc.**

DELABIE is also participating in the development of an environmental label as part of the **European Bathroom Forum**. This label is voluntary and will come into effect when it is approved by the European Commission.

### THE ADVANTAGES OF SPECIALIST WATER CONTROLS FOR PUBLIC PLACES

The DELABIE Group, committed to preserving the future, contributes to sustainable development by **limiting the use of natural resources**.

#### Water savings

DELABIE's water controls (electronic and time flow) reduce waste and prevent user neglect.

**Water volumes are optimised** to the necessary minimum without altering efficiency and comfort during use.

“**Choosing DELABIE products is choosing environmentally friendly products**”

**Water controls which shut-off automatically** reduce waste and prevent user neglect.

This is achieved when hands are removed from the detection zone (for electronic controls) or after a timed flow (for time flow controls): 7 seconds for washbasins and WCs, and 30 seconds for showers.

For perfect optimisation of the water resource, **the flow rates** of DELABIE's water controls are **reduced** to 1.5 lpm for washbasins and 6 lpm for showers.

WCs with 3L/6L dual flush and **adaptable flush programmes** on the electronic controls are additional ways to save water.

DELABIE's water controls support **an environmental and ethical approach**

#### GREEN time flow solutions

DELABIE's time flow controls operate **independently** without electrical supply, therefore, they **do not consume any energy**. They are made from **sustainable materials that are 100% recyclable**.

They are equipped with **self-cleaning**, time flow **mechanisms**. Their lifespan exceeds 500,000 operations.

#### Economical electronic solutions

DELABIE's electronic controls require **very little energy** to operate.

The battery-operated versions operate independently for **3 - 6 years** on average.

They use standard, affordable and recyclable batteries.

#### Effective direct flush system for WCs

Flush valves consume a significant amount of water.

Leaks from cisterns are practically invisible and can quickly inflate the water bill.

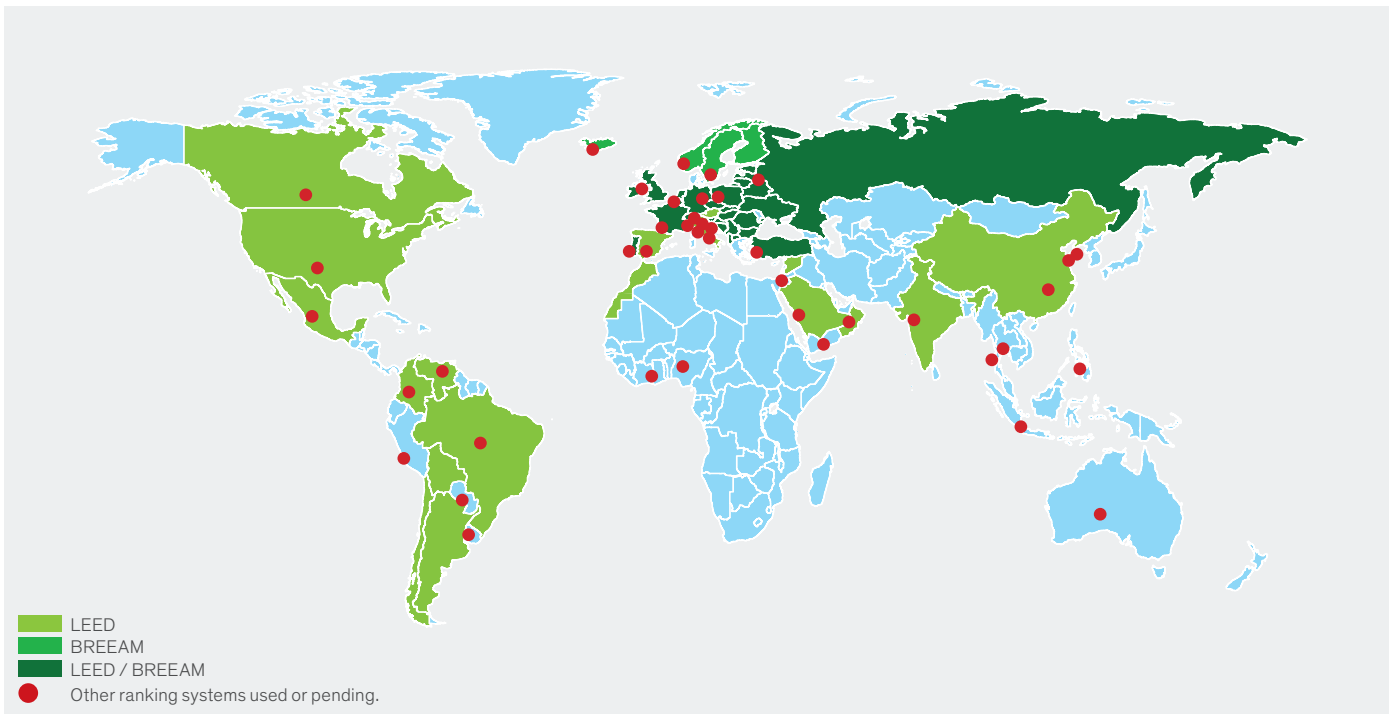
DELABIE develops **direct flush systems** exclusively. Connected directly to the system, the flush is more effective, with no water stagnation and a reduced risk of leaks. The flush mechanisms are reinforced for intensive use.

The **3L/6L dual flush, which can be adjusted to 2L/4L**, on the time flow versions help to reduce the water volume. Electronic water controls offer **intelligent flushing** which adapts to the required use.

#### Sustainable water controls

In addition to their undeniable advantages in terms of sustainable development, they also provide guarantees of **reliability, simple maintenance** and **hygiene**.

*Find all our specific solutions for public and commercial places in our dedicated catalogue (DOC 609INT).*



## THE PRINCIPAL ACCREDITATION SCHEMES FOR BUILDINGS



### American LEED

Leadership in Energy and Environmental Design

- High environmental quality buildings
- Global evaluation for buildings
- Credit system
- 4 levels of certification



### British BREEAM

BRE's Environmental Assessment Method

- Sustainable building development
- Environmental performance
- New buildings or refurbishment projects
- Credit system



### French HQE

"Haute Qualité Environnementale"

- Environmental approach
- Controlling the building's lifecycle
- Points system
- 3 levels of performance



### Dutch BREEAM NL

BRE Environmental Assessment Method

- Sustainable building development
- Environmental performance
- New buildings or refurbishment projects
- Credit system



### German DGNB

"Deutsche Gesellschaft für Nachhaltiges Bauen"

- Sustainable quality and building development
- Hydro-economic solutions
- New buildings
- Points systems with 3 levels of certification



### German BNB

"Bewertungssystem Nachhaltiges Bauen für Bundesgebäude"

- Sustainable approach
- Controlling the building's lifecycle
- Public buildings
- Points systems with 3 levels of performance



### Middle Eastern ESTIDAMA

Sustainable development

- Sustainable way of life
- Methodology for building design
- Preservation of Abu Dhabi
- 3 levels of certification

**ENVIRONMENTAL LABELS**

The performance levels of DELABIE's water controls, in terms of water and energy savings, help to achieve the highest levels of the international environmental labels.



# Terminal Filters, controlling the bacteriological quality of water at the mixer/tap outlet

ANTI-BACTERIAL  
SPOUTS  
**25**



ANTI-BACTERIAL  
CARTRIDGES  
**26**



ANTI-BACTERIAL  
SHOWER HEADS  
**27**

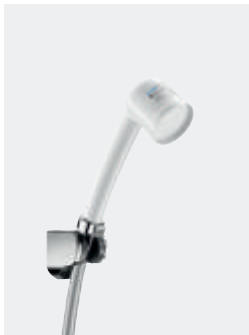




BIOFIL anti-bacterial cartridge



BIOFIL anti-bacterial spout



BIOFIL anti-bacterial shower head



BIOFIL anti-bacterial cartridge

## CONTROLLING WATERBORNE HEALTH RISKS

Water, essential for hygiene, can also be a source of infection if its quality is not controlled. The proliferation of bacteria (*Legionella* spp., *Pseudomonas aeruginosa*, etc.) in the water supply or in mixers and taps may cause serious infections, especially for vulnerable people.

Water systems in all buildings open to the public should be monitored for Legionella (e.g. hotels and holiday accommodation, campsites, detention centres, etc.) and not just healthcare facilities. The HSE Approved Code of Practice and Guidance (ACOP) document L8 states that duty holders should: identify and assess sources of risk of exposure to Legionella; put in place precautions to prevent or control that risk; and monitor these measures to ensure that they remain effective.

This applies in all circumstances where the Health and Safety at Work Act 1974 applies. The prevention of health risks associated with pathogenic bacteria in water systems should be a constant concern for public buildings, and in particular Healthcare Facilities (see the current guidance opposite).

**The BIOFIL range of terminal filters is a preventative or curative solution to secure the water quality at the point-of-use and protect the health of the user.**

## CURRENT GUIDANCE IN UK

**HSE guidance HSG274 Part 2 (2014) and DHSC Health Technical Memorandum (HTM) 04-01 Part B (2016) provide guidance for the control of Legionella in hot and cold water systems and on providing safe water in healthcare premises respectively**

Terminal filters prevent the discharge of planktonic legionella from the tap and shower outlets and may be used to provide water free of *P. aeruginosa*. They should be used primarily as a temporary measure until a permanent safe engineering solution is developed, although long-term use of such filters may be needed in some healthcare situations. They may also be considered where a high level of disinfection of water systems may dislodge biofilm. **Point-of-use micro-filters with a 0.1µm membrane constitute a means for removing Legionella and Pseudomonas aeruginosa in water drawn off from the system.**

**HTM 04-01 Part C (2016) provides advice on managing Pseudomonas aeruginosa in augmented care units**

For direct contact with augmented care patients, water of a known satisfactory quality should be used, that is, either: water where testing has shown absence of *P. aeruginosa*; or water supplied through a POU filter; or sterile water (for example, for skin contact for babies in neonatal intensive care units).

**HSG274 Part 2 states that monitoring for Legionella should be carried out:**

- when water is treated with biocides or when distribution temperatures are reduced from HSE guidelines.
- where water treatment regime control levels are not being consistently achieved.
- where there is a high-risk of contamination e.g. hospitals and care homes.
- where an outbreak of legionellosis has been identified.

When a sample identifies a Legionella count above 100 CFU/Litre an immediate review of the control measures and risk assessment should be carried out to identify any remedial action required. Disinfection of the system should also be considered.

**Terminal micro-filters are a means to restore the bacteriological quality of water at the point-of-use (anti-bacterial shower heads, cartridges, etc.) until effective remedial action is put in place.**

## BIOFIL RANGE OF WATER FILTERS

**DELABIE offers a collection of single use water filters: BIOFIL cartridges, shower heads and spouts** Each BIOFIL filter incorporates a hollow fibre membrane with a water filtration threshold of 0.1 micron absolute-rated.

They deliver water free from microorganisms (bacteria, protozoa, fungi, particles in water systems, etc.), without changing its chemical composition.

They provide total protection against waterborne infection.

## AREAS OF USE

### All-germ anti-bacterial filters **CE**

BIOFIL filters are CE class I.

Their role is to protect immunosuppressed patients and prevent them from falling ill.

The filters are designed for hand washing, showers, patient hygiene or rinsing medical devices.

The BIOFIL range includes both **non-sterile and sterile terminal filters to guarantee the delivery of bacteriologically controlled water:**

- level 1: "Clean water" is intended for hand washing as well as all clinical services uses.

It is delivered via non-sterile terminal filters.

- level 2: "Ultra-clean water" is intended for protected and highly sensitive areas such as: burns units, plastic surgery departments, rinsing endoscopes and surgical hand washing.

It is delivered via sterile terminal filters.

Certificate of conformity available on request.

## TOTAL CONTROL OF THE MANUFACTURING PROCESS

### 100% quality controlled

The fibre quality and porosity of the finished product are continuously monitored during the manufacturing process for 100% of the fibres.

### 100% recyclable fibre

DELABIE's hollow fibre membrane is made from 100% recyclable polyethylene (PE) fibres and is therefore fully recyclable, along with the whole product.

No additives or solvents are used during the manufacturing process.

## HOLLOW FIBRE, AN INNOVATIVE, TECHNICAL SOLUTION

### Microfiltration by hollow fibre

There are two main types of membrane used in terminal microfiltration devices: flat membrane or hollow fibre membrane.

DELABIE chose to use the hollow fibre membrane filtration technology.

## THE PRINCIPLE OF HOLLOW FIBRE FILTRATION

### Hollow fibre filter

The BIOFIL filter is made up of a collection of polyethylene hollow fibres grouped together into a unit. The fibres are extremely fine and flexible, with an outer diameter of 0.6mm and a thickness of several tens of microns.

The membranes are hollow and shaped like a straw (tubular).

### Microporous structure

The hollow fibre membranes have multiple pores which vary in size from 0.01 - 0.1 micron. Each membrane consists of several surfaces with microporous structures (micro slits).

Bacteria and any particles in suspension that are larger than 0.1 micron are trapped by these structures and retained permanently on the external surface of the membrane.

### External/Internal frontal filtration

DELABIE uses a frontal filtration system.

The water requiring treatment flows at right angles to the filter surface and passes through the membrane due to the pressure difference on either side of the membrane.

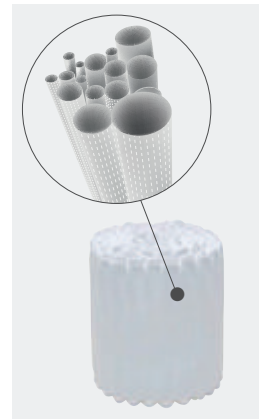
The water flows from the external to the internal surface of the fibre.

Bacteria and other microparticles that cannot pass through the gaps in the membrane structure are retained on the outer surface and therefore do not penetrate the membrane.

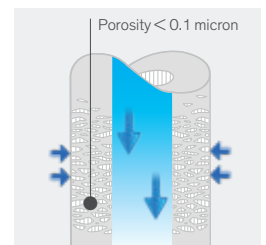
### Filtration area/storage of bacteria

The filters' hollow-fibre filtration area makes it possible to filter a larger volume of water.

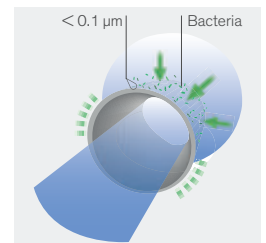
Consequently the storage capacity for bacteria and impurities trapped inside the filter is much greater.



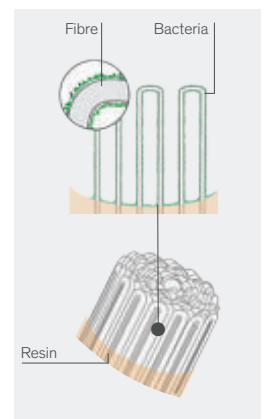
Hollow fibre membrane



Microporous structure



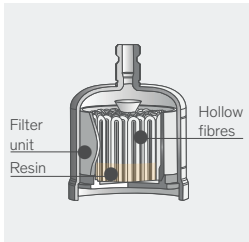
External/Internal frontal filtration



Large filtration area  
Optimised bacteria storage



Bacteriologically controlled water



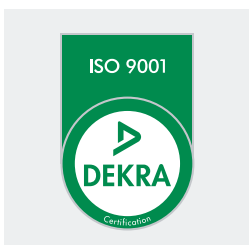
Section of the BIOFIL cartridge filter



Maximum lifespan



Sterilisation visual marker



Certified ISO 9001: 2015 Quality management system

## BACTERIAL CHALLENGE

BIOFIL filters are approved using the ASTM F838\* method.

This test confirms the effective bacterial retention power of the filters used for the decontamination of liquids.

The test involves passing a dose of *Brevundimonas diminuta* bacteria (ATCC 19146) which is the smallest bacterial species, through the filter at a minimum concentration of 10<sup>7</sup> CFU/cm<sup>2</sup> on the filtration surface.

A filter is designated a decontaminant if no colonies are counted in the filtered water.

When subjected to this test, all BIOFIL filters delivered an effluent free from bacteria, so they have a sterilising grade of 0.1 micron absolute-rated.

\* Standard Test Method for Determining Retention of Membrane Filters Utilized for Liquid Filtration.

## LIFESPAN

BIOFIL all-germ anti-bacterial filters can be used for up to **62 days** after initial installation.

After this time period, DELABIE recommends changing the filter to avoid any risk of retro-contamination from the bacteria concentrated in the filter especially in sensitive wards.

**Note:** The amount of impurities in the water will vary between water systems. Filters will therefore become clogged at different rates.

If the filter becomes clogged prematurely, it is necessary to change it. We recommend pre-filtration upstream to filter out suspended solids and/or colloids, etc.

Bacterial proliferation is significantly reduced in an installation where the water is pre-filtered, and the lifespan of all equipment is greatly increased.

## RESISTANT TO DIFFERENT WATER SYSTEM TREATMENTS

BIOFIL filters will withstand thermal and chemical shocks. During chemical or thermal shocks, impurities are trapped in the filter and reduce its lifespan. DELABIE therefore recommends changing the filter after any treatment.

**Resistance to thermal shocks:** Temperatures of 70°C for a cumulative period of 30 minutes during its lifetime.

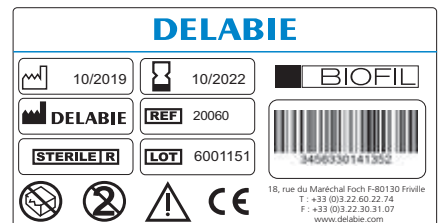
**Resistance to chemical shocks:** Chlorine levels up to 100 ppm at a flow rate of 0.6 lpm for 30 minutes.

## OPTIMISED TRACEABILITY IN UK

To control the health risks associated with water, the whole process from the manufacture of the medical device components to the use of the finished product must be completely traceable.

### Individual packet label

BIOFIL sterile filters have a unique batch number which can be easily traced back through the production process.



### Double labelling on the filter

The sterile and non-sterile filters are supplied with 2 waterproof labels which identify the product and ensure traceability when the filter is changed. One is positioned on the product, the other can be removed and transferred to the record log, ensuring traceability.



## OTHER FEATURES

### Sterilisation complies with European standard EN ISO 11137

After manufacture, the BIOFIL filters are sterilised using gamma rays. Each individual packet has a **visual marker showing that it has been sterilised**.

After gamma sterilisation, BIOFIL filters have a shelf life of 3 years. The product expiry date is marked on each individual packet.

All BIOFIL filters conform to the Medical Devices directive 93/42/CEE amendment 2007/47/CE and benefit from CE marking, class I.

### Certificate of sanitary compliance

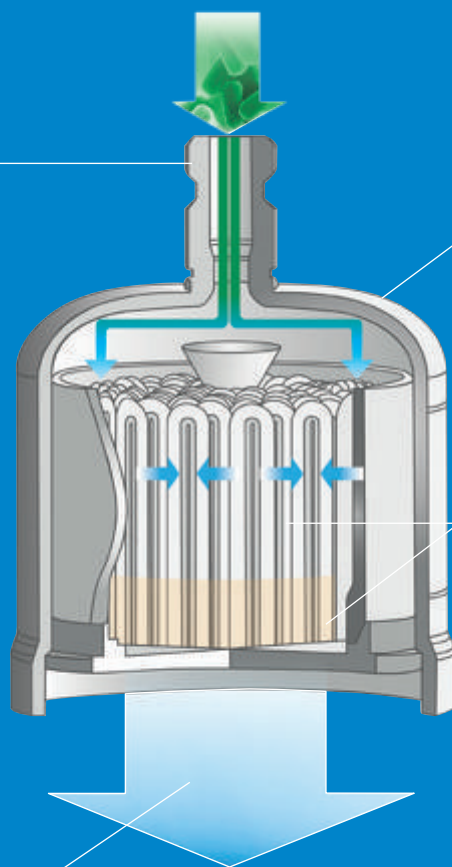
All BIOFIL filters conform to the CPDW directive and the Order of 29 May 1997, as amended, and the French Ministry of Health Circular DGS/SD7A2002 no. 571 of 25 November 2002.

### WRAS

All BIOFIL filters are WRAS approved. WRAS Approval demonstrates that a product complies with the Water Supply (Water Fittings) Regulations and Scottish Water Byelaws. The WRAS approval standard is accepted as a **quality benchmark** by water suppliers who enforce the Water Regulations and Byelaws.



- EASY TO INSTALL**
- Simple to connect to the outlet requiring treatment, no tools required, using push-fit connectors
  - Screw-in shower head attaches in seconds to the shower hose



- COMPACT DIMENSIONS** thanks to the compact fibre
- Fits most taps or showers currently available (even those with a low drop height)
  - Reduced risk of retro-contamination

- SUPERIOR PERFORMANCE**
- Very large filtration area: 2x more water volume than for a flat membrane (1400cm<sup>2</sup> versus 500cm<sup>2</sup>)
  - Reduced risk of premature clogging: large capacity to store bacteria inside the filter
  - Extended filter life: 62 days
  - Flow rate 12 lpm at 3 bar

**TOTAL PROTECTION**  
Bacteriologically controlled water: hollow-fibre membrane with a water filtration threshold of 0.1µm absolute-rated

- EXCLUSIVE TO DELABIE: SPOUT FILTER**
- No additional space required (drop height maintained)
  - Removes the spout as a potential contaminant



**EASY TO INSTALL**  
Suitable for mixers/taps with a removable BIOCLIP spout, no tools required

 : Water flow through the filter





- **BIOSAFE:** immediate protection against waterborne infections
- **Spout filter (exclusive to DELABIE):** suitable for all mixers with a BIOCLIP spout; no additional space required (drop height maintained); no need to add any devices to the end of the spout. Removes the spout as a potential contaminant.

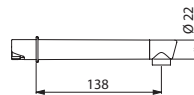
## Anti-bacterial BIOFIL spout

Single use spout filter

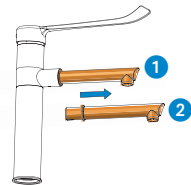


- Single use spout filter, sterilising grade **0.1µm absolute-rated**.
- **Can be installed instead of BIOCLIP spouts.**
- Hydrophilic polyethylene hollow fibres.
- Filtration area: 1,200cm<sup>2</sup>.
- Filtration flow rate: 6 lpm\* at 3 bar (filter only, excludes any flow rate restrictor/regulator in the mixer).
- Maximum upstream pressure at point-of-use: 5 bar.
- Maximum lifespan: **62 days** after installation.
- Compatible with and resistant to chemical and thermal shocks.
- **Available in two models:**
  - **Sterile CE class I anti-bacterial filters:** ref. 20040.10P individually wrapped, sterile.
  - **Non-sterile CE class I anti-bacterial filters:** ref. 30040.10P individually wrapped, non-sterile.
- Weight: 40g.

\* Average flow rate during the product lifespan.



20040.10P/30040.10P



**Quick and easy to install:**

- 1 Pull the BIOFIL spout towards you to remove it.
- 2 Insert another spout filter in its place.

10 BIOFIL spouts	
Sterile CE	20040.10P
Non-sterile CE	30040.10P



- **BIOSAFE:** immediate protection against waterborne infections
- **Filtration surface:** twice the size of flat membranes
- **Hollow fibres withstand clogging:** filter lifespan is increased
- **Compact fibres:** require less space, suitable for all types of mixers/taps with no risk of retro-contamination

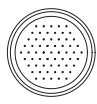
## Anti-bacterial BIOFIL cartridge

Single use cartridge filter



- Single use cartridge filter, sterilising grade **0.1µm absolute-rated**.
- Hydrophilic polyethylene hollow fibres.
- Filtration area: 1,400cm<sup>2</sup>.
- Filtration flow rate: 12 lpm\* at 3 bar (filter only, excludes any flow rate restrictor/regulator in the shower/mixer outlet).
- Maximum upstream pressure at point-of-use: 5 bar.
- Maximum lifespan: **62 days** after installation.
- Compatible with and resistant to chemical and thermal shocks.
- **Available in two models:**
  - **Sterile CE** class I **anti-bacterial filters:** ref. 20050A.10P, 20050P.10P, ref. 20051A.10P and 20051P.10P individually wrapped, sterile.
  - **Non-sterile CE** class I **anti-bacterial filters:** ref. 30050A.10P, 30050P.10P, ref. 30051A.10P and 30051P.10P individually wrapped, non-sterile.
- Weight: 80g.

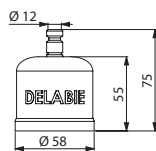
\* Average flow rate during the product lifespan.



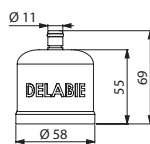
rain effect



laminar flow



20050A.10P/30050A.10P  
20051A.10P/30051A.10P



20050P.10P/30050P.10P  
20051P.10P/30051P.10P

### 10 BIOFIL cartridges

#### Cartridge A (without waterproof seal)

Sterile CE, rain effect	<b>20050A.10P</b>
Sterile CE, laminar flow	<b>20051A.10P</b>
Non-sterile CE, rain effect	<b>30050A.10P</b>
Non-sterile CE, laminar flow	<b>30051A.10P</b>

#### Cartridge P (with waterproof seal)

Sterile CE, rain effect	<b>20050P.10P</b>
Sterile CE, laminar flow	<b>20051P.10P</b>
Non-sterile CE, rain effect	<b>30050P.10P</b>
Non-sterile CE, laminar flow	<b>30051P.10P</b>

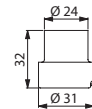
## Related products



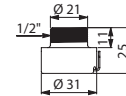
### Push-fit connector for cartridge A

Ref. 20050A.10P/30050A.10P  
Ref. 20051A.10P/30051A.10P

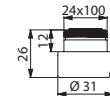
- Connector for installing cartridge A (does not require tools or the water to be shut off).



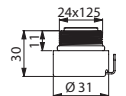
820022



820023



820024



820025

\* Provisional availability 1<sup>st</sup> half 2020.

Please contact sales office to check availability.

#### Push-fit connector for BIOFIL cartridge A

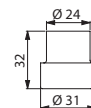
F22/100	<b>820022</b>
M24/100	<b>820024</b>
M1/2"	<b>820023</b>
M24/125	<b>820025</b>
M16.5/100	<b>820026 *</b>



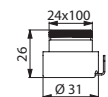
### Push-fit connector for cartridge P

Ref. 20050P.10P/30050P.10P  
Ref. 20051P.10P/30051P.10P

- Connector for installing cartridge P (does not require tools or the water to be shut off).



820122



820124

\* Provisional availability 1<sup>st</sup> half 2020.

Please contact sales office to check availability.

#### Push-fit connector for BIOFIL cartridge P

F22/100	<b>820122</b>
M24/100	<b>820124</b>
M16.5/100	<b>820126 *</b>



- **BIOSAFE:** immediate protection against waterborne infections
- **Filtration surface:** twice the size of flat membranes
- **Hollow fibres withstand clogging:** filter lifespan is increased
- **Easy to install:** shower head quickly screws in to the flexible shower hose or clips on via the push-fit connector

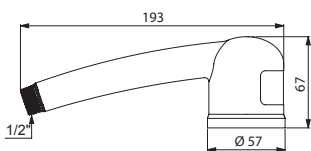
### Anti-bacterial BIOFIL shower head

Single use shower head filter

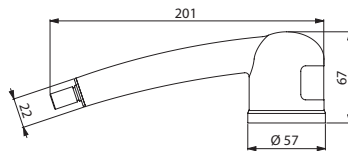


- Single use shower head filter, sterilising grade **0.1µm absolute-rated**.
- Hydrophilic polyethylene hollow fibres.
- Filtration area: 1,400cm<sup>2</sup>.
- Filtration flow rate: 12 lpm\* at 3 bar (filter only, excludes any flow rate restrictor/regulator in the shower/mixer outlet).
- Maximum upstream pressure at point-of-use: 5 bar.
- Maximum lifespan: **62 days** after installation.
- Compatible with and resistant to chemical and thermal shocks.
- **Available in two models:**
  - **Sterile CE class I anti-bacterial filters:**  
ref. 20060.10P and 20061.10P individually wrapped, sterile.
  - **Non-sterile CE class I anti-bacterial filters:**  
ref. 30060.10P and 30061.10P individually wrapped, non-sterile.
- Weight: 120g.

\* Average flow rate during the product lifespan.



20061.10P/30061.10P



20060.10P/30060.10P

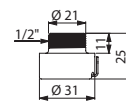
### Related product



#### Push-fit connector for shower head

Ref. 20060.10P/30060.10P

- Connector for installing shower heads (clip-on model). Does not require tools or the water to be shut off.



820023

Push-fit connector for BIOFIL shower head - M<sup>1</sup>/<sub>2</sub>"

820023

#### 10 BIOFIL shower heads

##### Threaded shower head (attaches directly to flexible hose)

Sterile CE	<b>20061.10P</b>
Non-sterile CE	<b>30061.10P</b>

##### Push-fit shower head (requires a push-fit connector)

Sterile CE	<b>20060.10P</b>
Non-sterile CE	<b>30060.10P</b>

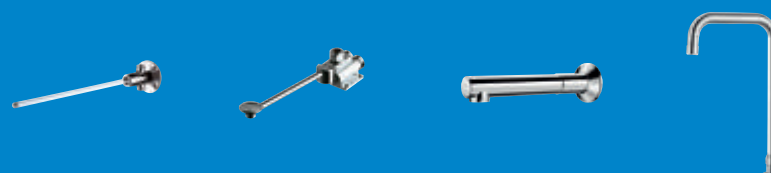


# Non-contact controls for washbasins, sinks and troughs

ELECTRONIC  
CONTROLS  
**35**



FOOT  
OR KNEE-OPERATED  
CONTROLS, SPOUTS  
**46**







## BIOSAFE: INFECTION CONTROL

### Opens/closes automatically, with no manual contact

DELABIE's electronic mixers and taps are operated by active infrared detection. Flow opens when the detector senses hands and shuts off automatically when hands are removed from the detection zone. **No manual contact prevents the spread of germs by hand.**

### Anti-bacterial duty flush programme

If a mixer or tap is not used for prolonged periods of time, water stagnates in the pipework, which favours the development of bacteria (e.g. isolated points-of-use, facilities closed during holidays, etc.). DELABIE's electronic mixers and taps have a duty flush programme.

**An automatic flush takes place for approximately 60 seconds every 24 hours after the last use**

(programmable on some models). As a result, bacteria do not have the opportunity to develop.

### Reduced-stagnation solenoid valve

Most solenoid valves are fitted with a rubber membrane behind which water stagnates and is not renewed. This can lead to bacterial proliferation.

DELABIE has developed a technology without a membrane (patented system).

With this **piston-operated solenoid valve**, water is drained and renewed with every use **which reduces niches where bacteria can develop.**

The solenoid valve's self-cleaning system with a calibrated groove reduces the build-up of dirt. Furthermore, its slow closure eliminates water-hammer.

### No risk of cross flow between SHW/SCW

In France, the new NF M norm for Medical Environments requires that **closing mechanisms for water controls be located upstream of the mixing chamber.** This is to prevent any risk of cross flow between Hot Water and Cold Water, one of the major causes of bacterial proliferation.

*For more information see page 11.*

### Hygienic flow straightener

Unlike conventional aerators, DELABIE's flow straighteners are specially made from **Hostaform®**, a material that is highly scale-resistant (build-up of scale is 10 times slower). **They minimise water retention and the build-up of dirt, and prevent the spread of germs.**

### PEX flexible hoses

These flexible hoses will withstand the thermal and chemical shocks undertaken in healthcare facilities for preventative or curative treatments against the development of bacteria.

Soft-tempered copper tails are available on request, and are also able to withstand thermal shocks.

## 85% WATER AND ENERGY SAVINGS

### Water savings

Compared to conventional mixers and taps, DELABIE's electronic mixers and taps can offer maximum water savings. They ensure the manager's water bills can be reduced whilst preserving user comfort.

#### • Automatic shut-off and split delivery

**The mixer or tap shuts off automatically when hands are removed from the detection zone.**

This removes the risk of waste through negligence.

The anti-blocking security activates to prevent the mixer or tap from flowing continuously.

The flow time is reduced to the necessary minimum (wetting, rinsing).

#### • Regulated flow rate

**Some of DELABIE's electronic mixers and taps are regulated at 4 lpm.**

The majority of DELABIE's electronic taps/mixers are, however, regulated at **3 lpm.** The flow rate remains constant regardless of pressure variations in the system.

The flow rate can be adjusted from 1.5 lpm (see *Environmental labels*) to 6 lpm.

### Energy savings

DELABIE's electronic mixers and taps do not require much energy to operate. DELABIE has chosen infrared active pulse technology, **a low-power consumption solution.**

The infrared beam is emitted intermittently, saving energy while ensuring effective detection.

DELABIE's battery-operated electronic models have an average lifespan of **350,000 cycles** (i.e. 3 to 6 years) depending on the frequency of use.

The Lithium batteries are widely available, affordable and recyclable.

The significant **hot water savings** provided by DELABIE's mixers and taps also result in energy savings.

### Environmental labels

The water and energy saving performance of DELABIE's electronic mixers and taps means that the buildings achieve the highest performance standards for international rating schemes such as LEED, BREEAM, HQE or ESTIDAMA.

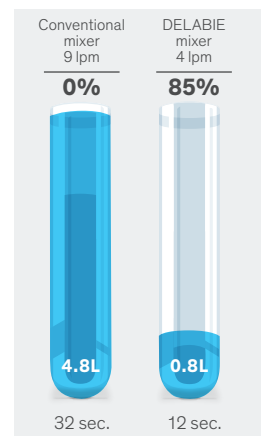
*For more information see page 17.*



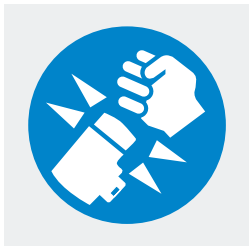
Reduced-stagnation solenoid valve



No manual contact



Water savings per use



Resistant to intensive use



Reinforced fixing



Diagnostic LED



Simple to maintain



## SPECIFICALLY DESIGNED FOR COMMERCIAL ENVIRONMENTS

### Resistant to intensive use and vandalism

DELABIE's electronic mixers and taps are specifically designed to withstand intensive use and vandalism, both voluntary and involuntary.

The mixer and tap bodies are made from chrome-plated metal, fitted with **shock-resistant** mechanisms and sensors. **The reinforced fixings** will stand up to intensive use.

**Streamlined designs** discourage attempts at vandalism. To prevent abuse and waste, all models are fitted with a system to avoid blocking during flow. For areas that require tamperproof installations, there are recessed and cross wall versions which have mechanisms that cannot be accessed by the user.

### Easy to install

DELABIE's products are **easy to install and adjustments are kept to a minimum** in order to save time during installation.

#### • Independent electronic control unit: BINOPTIC, TEMPOMATIC 2 and PRO, 20164, 20870 and 20871 models:

Depending on the model, there is an option to adjust the presence detection distance, to change the operating mode (ON/OFF or automatic) and change the duty flush settings. The battery-operated models work autonomously for 3 to 6 years. The electronic control units are waterproof (IP65) with diagnostic LEDs to facilitate servicing.

#### • Electronic unit and solenoid valve integrated in the body of the mixer/tap\*: TEMPOMATIC 4 model:

**Can be installed on any isolated point-of-use, for new builds as well as renovation.**

#### - 6V Lithium batteries\*:

There are no electrical connections required. Simply connect the flexibles to the supply pipes in the same way as for a conventional mixer/tap. No special adjustment is necessary; the mixer/tap is ready to operate independently for 3 to 6 years. A red LED will flash for 15 days to indicate that the battery life is low. The batteries can be changed without shutting off the water supply or removing the mixer/tap.

#### - 230/6V mains supply (plug in or recessed)\*:

To operate, simply connect the flexibles to the supply pipes and connect the electrical supply to the mixer/tap via a plug and socket or recessed connection close to the basin.

This does not require any specific maintenance (no battery changes).

\* Depending on model

### Reliable presence detection

DELABIE has chosen the most reliable detection system: **infrared active pulse**. It cannot be adjusted or affected by variations in light levels. On models with a sensor at the end of the spout, the infrared beam **adapts automatically**, to ensure that the hands are detected in any position.

### Minimal servicing and simple to maintain

The **scale-resistant** solutions (flow straighteners, mechanisms) and the filters ensure minimal servicing. Maintenance is easier. **The spare parts are standardised** to ensure quick and easy replacement by maintenance staff.

The electronic control units are fitted with LEDs to aid **diagnostic** checks, and **access** to the components (batteries, solenoid valve) is **direct**, without having to remove the mixer/tap.

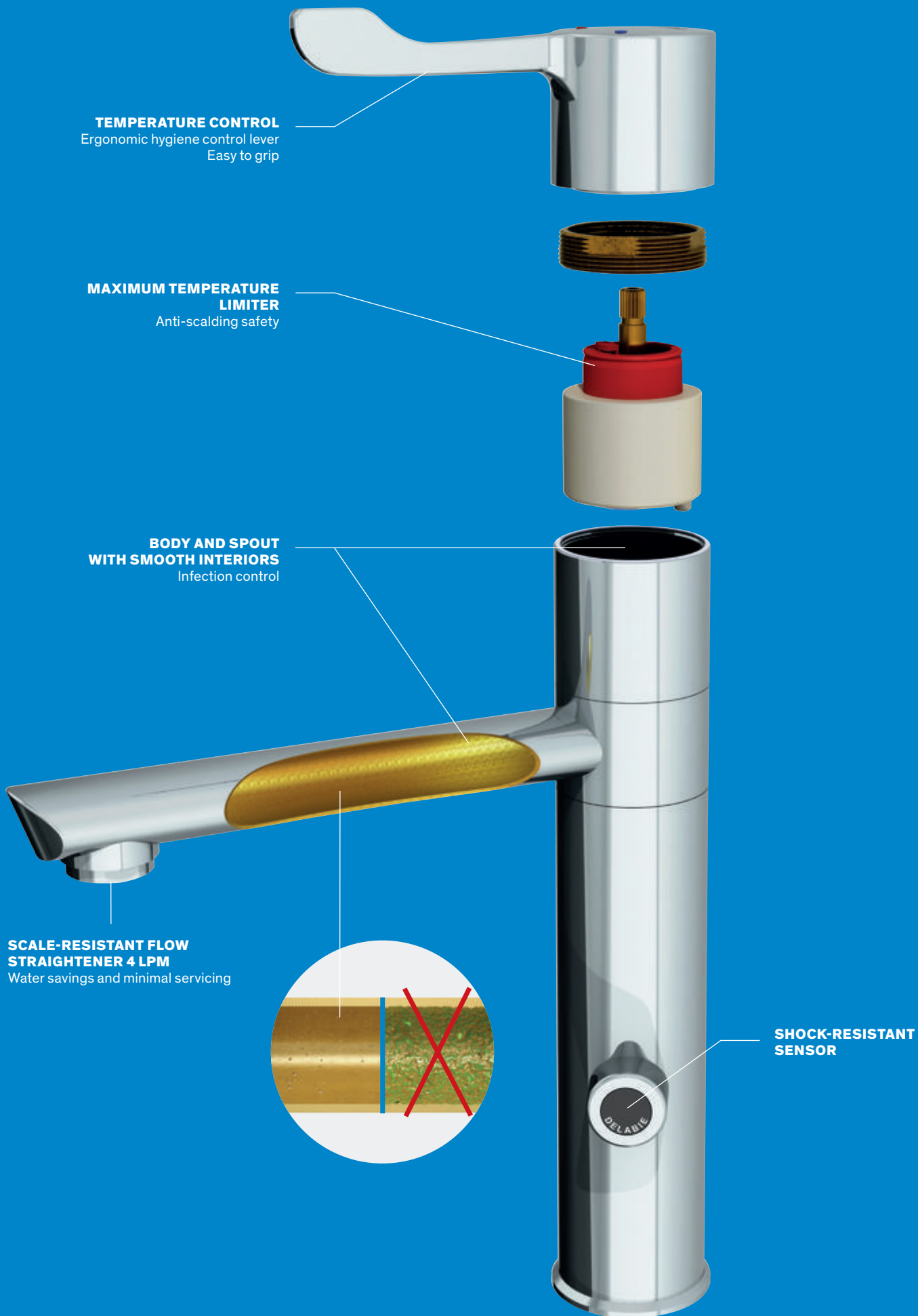
### CE Marked

DELABIE's electronic controls are compliant with European directives CEM 2014/30/UE and BT 2014/35/UE.

**10-year warranty** against any manufacturing defects.

## DESIGN

DELABIE's products, known for their endurance and reliability, have a timeless design. The diversity of the product range fits in perfectly with any commercial installation. In some environments i.e. psychiatric units, the products must be durable and safe: concealed mechanisms, designs that cannot be removed, etc. Aesthetic products are subject to less vandalism as they are better respected. The smooth shape of the mixers and taps reduces the build-up of dirt and facilitates cleaning. Easy but secure access to the control mechanisms provides easy maintenance.



**TEMPERATURE CONTROL**  
Ergonomic hygiene control lever  
Easy to grip

**MAXIMUM TEMPERATURE  
LIMITER**  
Anti-scalding safety

**BODY AND SPOUT  
WITH SMOOTH INTERIORS**  
Infection control

**SCALE-RESISTANT FLOW  
STRAIGHTENER 4 LPM**  
Water savings and minimal servicing

**SHOCK-RESISTANT  
SENSOR**



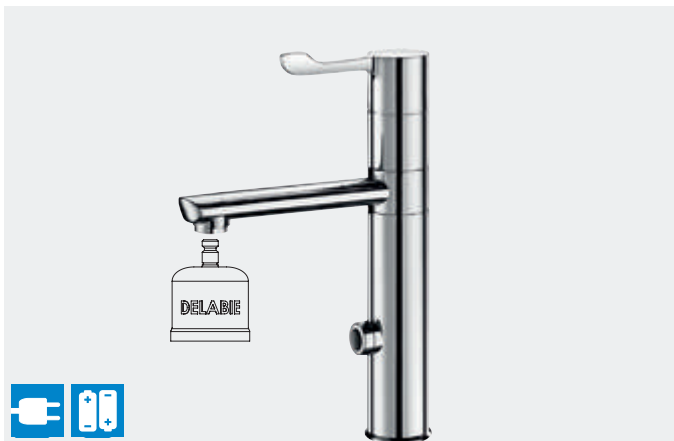
HEMI round basin **120490** - TEMPOMATIC MIX BIOCLIP electronic basin mixer **20870T1**  
Electronic soap dispenser **512066S** - Paper towel dispenser **510601S** - Rectangular wall-mounted bin **510461S**



- **BIOSAFE** infection control: no manual contact, anti-bacterial duty flush, body and spout with smooth interiors, spout suitable for fitting a BIOFIL terminal filter
- **Comfort:** optimal spout height for hand washing, mains supply versions have several shut-off options available
- **Water savings:** 85%

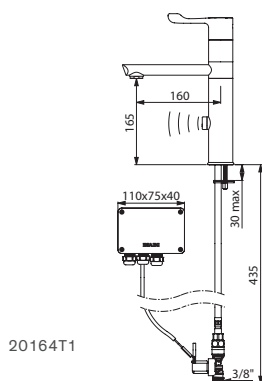
### TEMPOMATIC MIX for basins

Electronic mains/battery-operated mixer, swivelling spout



- Independent IP65 electronic control unit.
  - 230/12V mains supply with transformer or battery-operated with 123 6V Lithium batteries.
  - Flow rate pre-set at 4 lpm at 3 bar, can be adjusted from 1.5 - 6 lpm.
  - Scale-resistant flow straightener suitable for fitting a terminal filter (see page 26).
  - Body and spout with smooth interiors (reduces bacterial development).
  - Adjustable duty flush (pre-set flush ~60 sec. every 24hr after last use).
  - Shock-resistant infrared presence detection sensor.
  - Chrome-plated solid brass body and spout with fixing reinforced by 2 stainless steel rods.
  - Hygiene lever L. 100mm controls temperature.
  - PEX flexibles with filters and solenoid valves M $\frac{3}{8}$ ".
  - Anti-blocking security.
  - Solenoid valves are upstream of the mixing chamber.
- Two shut-off options on 230/12V models:**
- > **Standard mode:** timed flow with automatic shut-off.
  - > **ON/OFF mode:** user shuts off flow voluntarily or automatic shut-off after 30 minutes of flow. Thermal shocks are possible.

**Pro tip:** in ON/OFF mode position the sensor on the side of the mixer.



TEMPOMATIC MIX basin mixer with swivelling spout	
<b>Spout H. 165mm L. 160mm</b>	
Mains supply 230/12V	<b>20164T1</b>
6V Lithium battery-operated	<b>20464T1</b>
<b>Spout H. 305mm L. 250mm</b>	
Mains supply 230/12V	<b>20164T4</b>
6V Lithium battery-operated	<b>20464T4</b>

**Options:** wastes (see page 91), BIOFIL cartridge filters (see page 26)

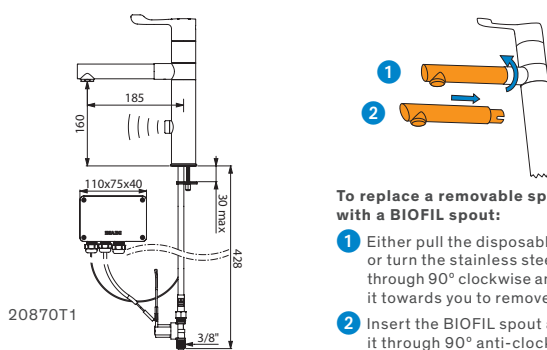
### TEMPOMATIC MIX BIOCLIP for basins

Electronic mains supply mixer, swivelling spout



- Independent IP65 electronic control unit.
  - 230/12V mains supply with transformer.
  - Flow rate limited to 7 lpm at 3 bar.
  - Supplied with either 2 removable BIOCLIP stainless steel spouts or 1 disposable Hostaform<sup>®</sup> spout. Can be replaced with a BIOFIL filter spout.
  - Body and spout with smooth interiors (reduces bacterial development).
  - Adjustable duty flush (pre-set flush ~60 sec. every 24hr after last use).
  - Shock-resistant infrared presence detection sensor.
  - Chrome-plated solid brass body with fixing reinforced by 2 stainless steel rods.
  - Hygiene lever L. 100mm controls temperature.
  - PEX flexibles with filters and solenoid valves M $\frac{3}{8}$ ".
  - Anti-blocking security.
  - Solenoid valves are upstream of the mixing chamber.
- Two shut-off options:**
- > **Standard mode:** timed flow with automatic shut-off.
  - > **ON/OFF mode:** user shuts off flow voluntarily or automatic shut-off after 30 minutes of flow. Thermal shocks are possible.

**Pro tip:** in ON/OFF mode position the sensor on the side of the mixer.



**To replace a removable spout with a BIOFIL spout:**

- 1 Either pull the disposable spout or turn the stainless steel spout through 90° clockwise and then pull it towards you to remove it.
- 2 Insert the BIOFIL spout and turn it through 90° anti-clockwise.

TEMPOMATIC MIX BIOCLIP basin mixer with swivelling spout	
<b>Spout H. 160mm</b>	
Stainless steel spout	<b>20870T1</b>
Disposable spout	<b>20871T1</b>
<b>Spout H. 300mm</b>	
Stainless steel spout	<b>20870T3</b>
Disposable spout	<b>20871T3</b>

**Options:** wastes (see page 91), BIOFIL filter spouts (see page 47)



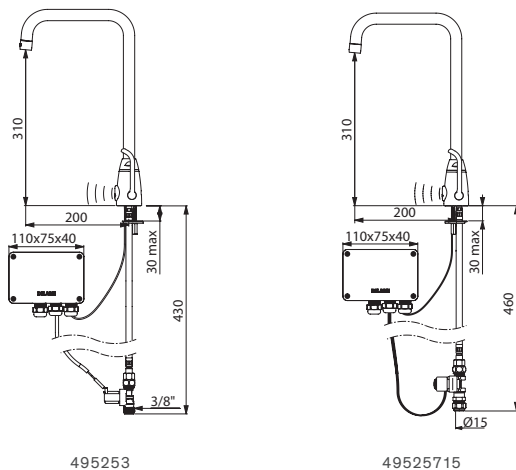
- **BIOSAFE** infection control: no manual contact, anti-bacterial duty flush, body and spout with smooth interiors, spout suitable for fitting a BIOFIL terminal filter, reduced-stagnation solenoid valves on the battery-operated versions
- **Comfort**: mains supply versions have several shut-off options available
- **Water savings**: 85%

**TEMPOMATIC MIX PRO for basins**

Electronic mixer, mains supply or battery-operated



- Independent IP65 electronic control unit.
  - 230/12V mains supply with transformer or battery-operated with 123 6V Lithium batteries.
  - Flow rate pre-set at 4 lpm at 3 bar, can be adjusted from 1.5 - 6 lpm.
  - Scale-resistant flow straightener suitable for fitting a terminal filter (see page 26).
  - Swivelling spout with smooth interior (reduces bacterial development).
  - Removable spout for cleaning and disinfection.
  - Adjustable duty flush (pre-set flush ~60 sec. every 24hr after last use).
  - Shock-resistant infrared presence detection sensor.
  - Chrome-plated solid brass body with fixing reinforced by 2 stainless steel rods.
  - PEX flexibles with filters and solenoid valves.
  - Anti-blocking security.
  - Side temperature control with adjustable maximum temperature limiter and ergonomic long lever.
  - Solenoid valves are upstream of the mixing chamber.
- Two shut-off options on 230/12V models:**
- > **Standard mode**: timed flow with automatic shut-off.
  - > **ON/OFF mode**: user shuts off flow voluntarily or automatic shut-off after 30 minutes of flow. Thermal shocks are possible.



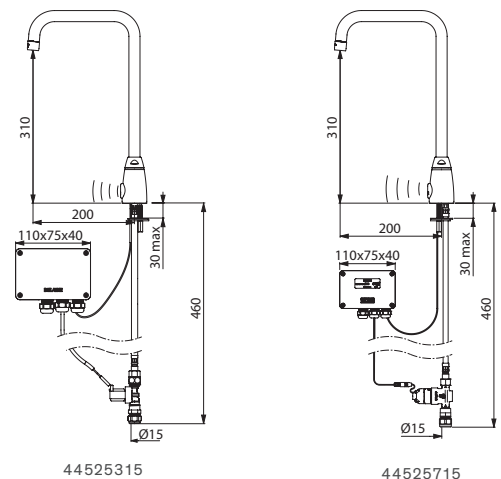
TEMPOMATIC MIX PRO mixer	
230/12V mains supply, M $\frac{3}{8}$ "	<b>495253</b>
230/12V mains supply, $\varnothing$ 15mm for compression fittings	<b>49525315</b>
6V Lithium battery-operated, M $\frac{3}{8}$ "	<b>495257</b>
6V Lithium battery-operated, $\varnothing$ 15mm for compression fittings	<b>49525715</b>

**TEMPOMATIC PRO for basins**

Electronic tap, mains supply or battery-operated



- Independent IP65 electronic control unit.
  - 230/12V mains supply with transformer or battery-operated with 123 6V Lithium batteries.
  - Flow rate pre-set at 4 lpm at 3 bar, can be adjusted from 1.5 - 6 lpm.
  - Scale-resistant flow straightener suitable for fitting a terminal filter (see page 26).
  - Swivelling spout with smooth interior (reduces bacterial development).
  - Removable spout for cleaning and disinfection.
  - Adjustable duty flush (pre-set flush ~60 sec. every 24hr after last use).
  - Shock-resistant infrared presence detection sensor.
  - Chrome-plated solid brass body with fixing reinforced by 2 stainless steel rods.
  - PEX flexible with filter and solenoid valve.
  - Anti-blocking security.
- Two shut-off options on 230/12V models:**
- > **Standard mode**: timed flow with automatic shut-off.
  - > **ON/OFF mode**: user shuts off flow voluntarily or automatic shut-off after 30 minutes of flow. Thermal shocks are possible.



TEMPOMATIC PRO tap	
230/12V mains supply, M $\frac{3}{8}$ "	<b>445253</b>
230/12V mains supply, $\varnothing$ 15mm for compression fittings	<b>44525315</b>
6V Lithium battery-operated, M $\frac{3}{8}$ "	<b>445257</b>
6V Lithium battery-operated, $\varnothing$ 15mm for compression fittings	<b>44525715</b>

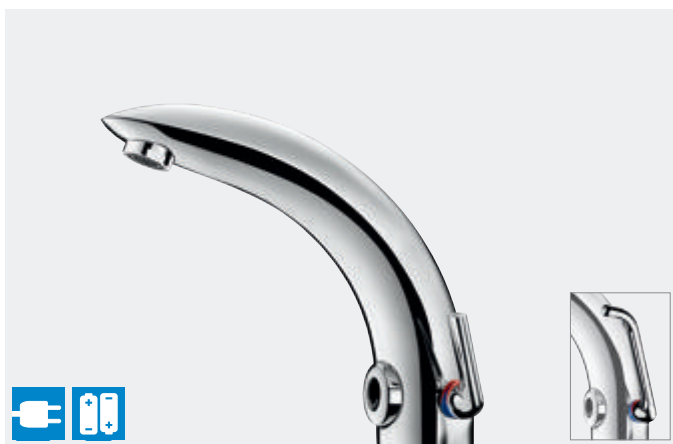
*We recommend installing a TMV (see page 90)*



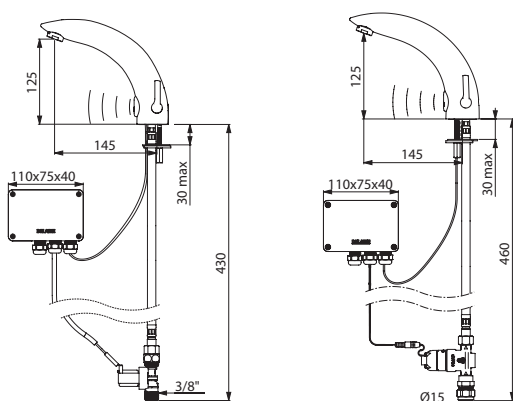
- **BIOSAFE** infection control: no manual contact, anti-bacterial duty flush, reduced-stagnation solenoid valves on the battery-operated versions
- **Water savings:** 85%
- **Maintenance:** LED diagnostic aids

### TEMPOMATIC MIX 2 for basins

Electronic mixer, mains supply or battery-operated



- Independent IP65 electronic control unit.
- 230/12V mains supply with transformer or battery-operated with 123 6V Lithium batteries.
- Flow rate pre-set at 4 lpm at 3 bar, can be adjusted from 1.5 - 6 lpm.
- Scale-resistant flow straightener.
- Adjustable duty flush (pre-set flush ~60 sec. every 24hr after last use).
- Shock-resistant infrared presence detection sensor.
- Chrome-plated solid brass body.
- PEX flexibles with filters and solenoid valves.
- Fixing reinforced by 2 stainless steel rods.
- Anti-blocking security.
- Side temperature control with adjustable maximum temperature limiter.
- Solenoid valves are upstream of the mixing chamber.



494000

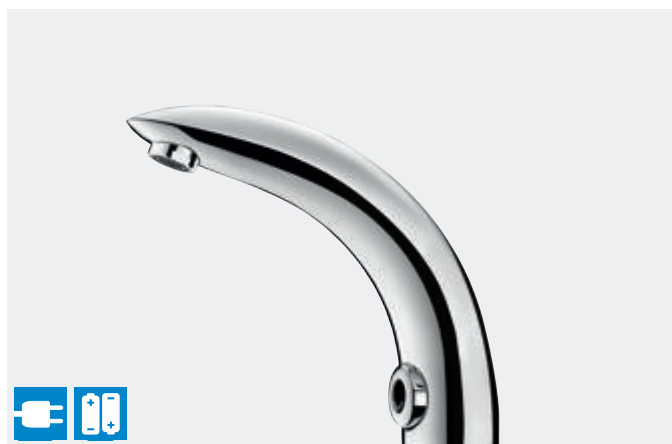
49400615

TEMPOMATIC MIX 2 basin mixer	
<b>230/12V mains supply</b>	
M $\frac{3}{8}$ "	<b>494000</b>
Ø 15mm for compression fittings	<b>49400015</b>
<b>6V Lithium battery-operated</b>	
M $\frac{3}{8}$ "	<b>494006</b>
Ø 15mm for compression fittings	<b>49400615</b>

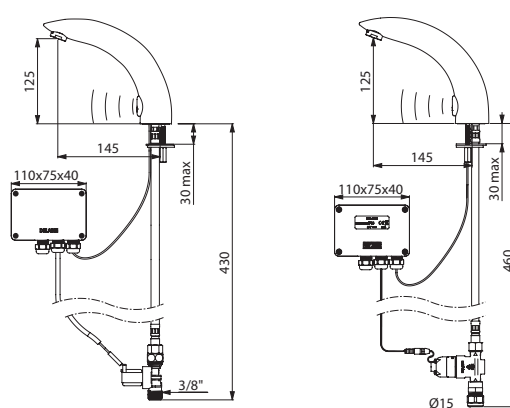
For long lever, please add LH after the reference

### TEMPOMATIC 2 for basins

Electronic tap, mains supply or battery-operated



- Independent IP65 electronic control unit.
- 230/12V mains supply with transformer or battery-operated with 123 6V Lithium batteries.
- Flow rate pre-set at 4 lpm at 3 bar, can be adjusted from 1.5 - 6 lpm.
- Scale-resistant flow straightener.
- Adjustable duty flush (pre-set flush ~60 sec. every 24hr after last use).
- Shock-resistant infrared presence detection sensor.
- Chrome-plated solid brass body.
- PEX flexible with filter and solenoid valve.
- Fixing reinforced by 2 stainless steel rods.
- Anti-blocking security.



444000

44400615

TEMPOMATIC 2 basin tap	
<b>230/12V mains supply</b>	
M $\frac{3}{8}$ "	<b>444000</b>
Ø 15mm for compression fittings	<b>44400015</b>
<b>6V Lithium battery-operated</b>	
M $\frac{3}{8}$ "	<b>444006</b>
Ø 15mm for compression fittings	<b>44400615</b>

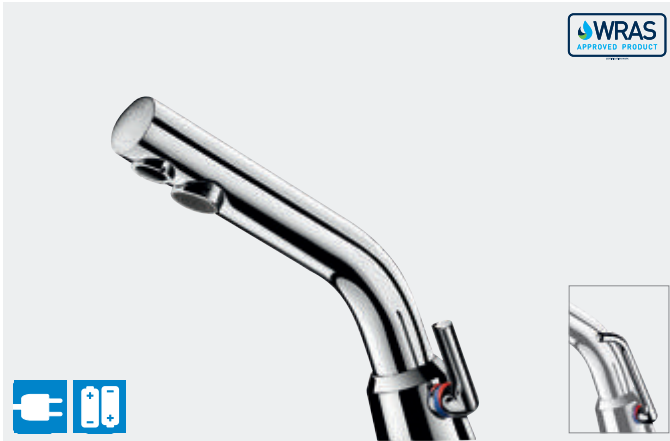
We recommend installing a TMV (see page 90)



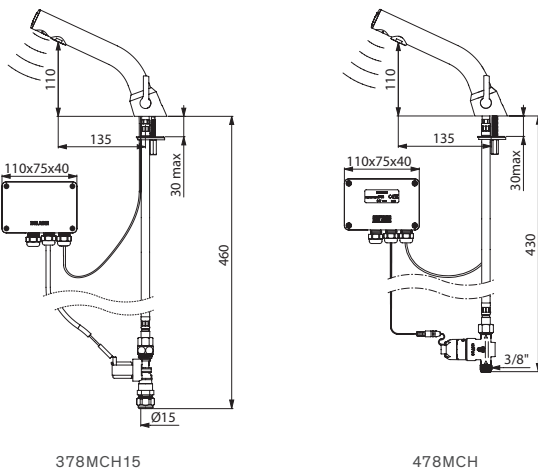
- **BIOSAFE** infection control: no manual contact, anti-bacterial duty flush, spout with smooth interior and low water volume, reduced-stagnation solenoid valves on the battery-operated versions
- **Water savings:** 90%
- **Maintenance:** LED diagnostic aids

**BINOPTIC MIX for basins**

Electronic mixer, mains supply or battery-operated



- **Independent IP65 electronic control unit.**
- **230/12V mains supply with transformer or 123 6V Lithium batteries.**
- **Flow rate pre-set at 3 lpm** at 3 bar, can be adjusted from 1.5 - 6 lpm.
- **Scale-resistant flow straightener.**
- **Adjustable duty flush** (pre-set flush ~60 sec. every 24hr after last use).
- Active, infrared presence detection, sensor at the end of the spout optimises detection.
- Chrome-plated brass body.
- PEX flexibles with filters and solenoid valves.
- Fixing reinforced by 2 stainless steel rods.
- Anti-blocking security.
- **Spout with smooth interior and low water volume** (reduces bacterial development).
- Side temperature control with adjustable maximum temperature limiter.



378MCH15

478MCH

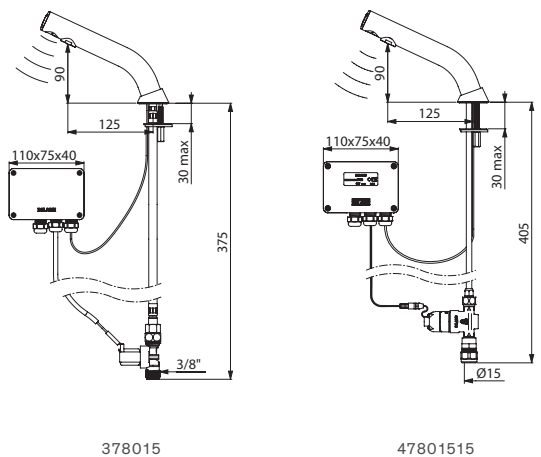
<b>BINOPTIC MIX basin mixer</b>	
<b>230/12V mains supply</b>	
M $\frac{3}{8}$ "	<b>378MCH</b>
Ø 15mm for compression fittings	<b>378MCH15</b>
<b>6V Lithium battery-operated</b>	
M $\frac{3}{8}$ "	<b>478MCH</b>
Ø 15mm for compression fittings	<b>478MCH15</b>
<i>For long lever, please add LH after the reference</i>	

**BINOPTIC for basins**

Electronic tap, mains supply or battery-operated



- **Independent IP65 electronic control unit.**
- **230/12V mains supply with transformer or 123 6V Lithium batteries.**
- **Flow rate pre-set at 3 lpm** at 3 bar, can be adjusted from 1.5 - 6 lpm.
- **Scale-resistant flow straightener.**
- **Adjustable duty flush** (pre-set flush ~60 sec. every 24hr after last use).
- Active, infrared presence detection, sensor at the end of the spout optimises detection.
- Chrome-plated brass body.
- PEX flexible with filter and solenoid valve.
- Fixing reinforced by 2 stainless steel rods.
- Anti-blocking security.
- **Spout with smooth interior and low water volume** (reduces bacterial development).



378015

47801515

<b>BINOPTIC basin tap</b>	
<b>230/12V mains supply</b>	
M $\frac{3}{8}$ "	<b>378015</b>
Ø 15mm for compression fittings	<b>37801515</b>
<b>6V Lithium battery-operated</b>	
M $\frac{3}{8}$ "	<b>478015</b>
Ø 15mm for compression fittings	<b>47801515</b>
<i>We recommend installing a TMV (see page 90)</i>	

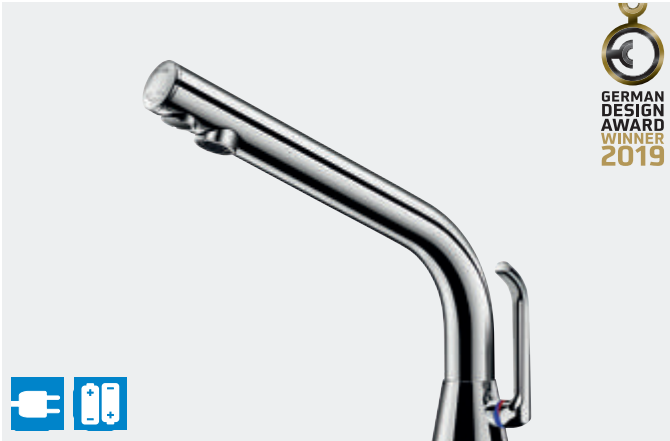




- **BIOSAFE** infection control: no manual contact, anti-bacterial duty flush, spout with smooth interior and low water volume, reduced-stagnation solenoid valves on the battery-operated versions
- **Water savings:** 90%
- **Maintenance:** LED diagnostic aids

### BINOPTIC MIX for basins

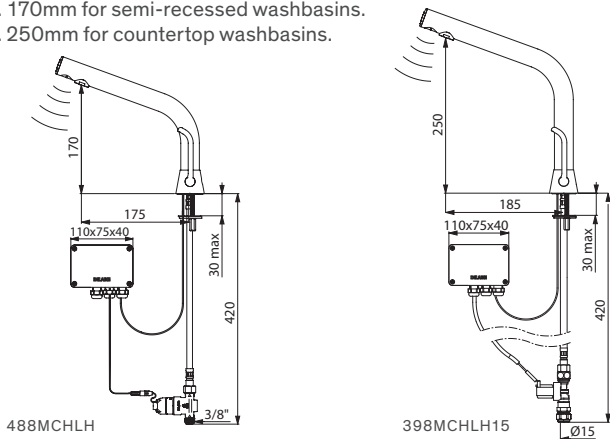
Electronic mixer, mains supply or battery-operated



- Independent IP65 electronic control unit.
- 230/12V mains supply with transformer or 123 6V Lithium batteries.
- Flow rate pre-set at 3 lpm at 3 bar, can be adjusted from 1.5 - 6 lpm.
- Scale-resistant flow straightener.
- Adjustable duty flush (pre-set flush ~60 sec. every 24hr after last use).
- Active, infrared presence detection, sensor at the end of the spout optimises detection.
- Chrome-plated brass body.
- PEX flexibles with filters and solenoid valves.
- Fixing reinforced by 2 stainless steel rods.
- Anti-blocking security.
- Spout with smooth interior and low water volume (reduces bacterial development).
- Side temperature control with adjustable maximum temperature limiter and ergonomic LH lever.

Two drop heights available depending on the choice of basin:

- H. 170mm for semi-recessed washbasins.
- H. 250mm for countertop washbasins.



BINOPTIC MIX basin mixer	
<b>H. 170mm</b>	
230/12V mains supply, M3/8"	<b>388MCHLH</b>
230/12V mains supply, Ø 15mm for compression fittings	<b>388MCHLH15</b>
6V Lithium battery-operated, M3/8"	<b>488MCHLH</b>
6V Lithium battery-operated, Ø 15mm for compression fittings	<b>488MCHLH15</b>
<b>H. 250mm</b>	
230/12V mains supply, M3/8"	<b>398MCHLH</b>
230/12V mains supply, Ø 15mm for compression fittings	<b>398MCHLH15</b>
6V Lithium battery-operated, M3/8"	<b>498MCHLH</b>
6V Lithium battery-operated, Ø 15mm for compression fittings	<b>498MCHLH15</b>

### BINOPTIC for basins

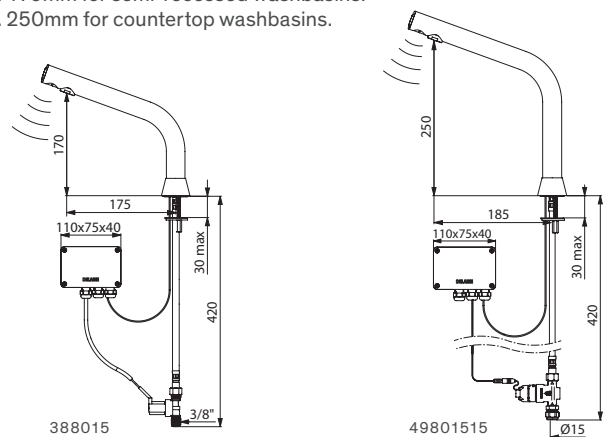
Electronic tap, mains supply or battery-operated



- Independent IP65 electronic control unit.
- 230/12V mains supply with transformer or 123 6V Lithium batteries.
- Flow rate pre-set at 3 lpm at 3 bar, can be adjusted from 1.5 - 6 lpm.
- Scale-resistant flow straightener.
- Adjustable duty flush (pre-set flush ~60 sec. every 24hr after last use).
- Active, infrared presence detection, sensor at the end of the spout optimises detection.
- Chrome-plated brass body.
- PEX flexible with filter and solenoid valve.
- Fixing reinforced by 2 stainless steel rods.
- Anti-blocking security.
- Spout with smooth interior and low water volume (reduces bacterial development).

Two drop heights available depending on the choice of basin:

- H. 170mm for semi-recessed washbasins.
- H. 250mm for countertop washbasins.



BINOPTIC basin tap	
<b>H. 170mm</b>	
230/12V mains supply, M3/8"	<b>388015</b>
230/12V mains supply, Ø 15mm for compression fittings	<b>38801515</b>
6V Lithium battery-operated, M3/8"	<b>488015</b>
6V Lithium battery-operated, Ø 15mm for compression fittings	<b>48801515</b>
<b>H. 250mm</b>	
230/12V mains supply, M3/8"	<b>398015</b>
230/12V mains supply, Ø 15mm for compression fittings	<b>39801515</b>
6V Lithium battery-operated, M3/8"	<b>498015</b>
6V Lithium battery-operated, Ø 15mm for compression fittings	<b>49801515</b>
We recommend installing a TMV (see page 90)	



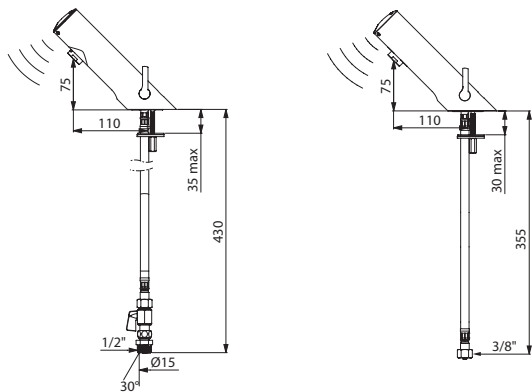
- **BIOSAFE** infection control: no manual contact, reduced-stagnation solenoid valve, anti-bacterial duty flush
- **Water savings:** 90%
- **Easy to install:** electronic system and batteries integrated into the body of the mixer/tap
- **Easy to replace the batteries:** after 3-6 years, without removing the mixer/tap or shutting off the water supply

**TEMPOMATIC MIX 4 for basins**

Electronic mixer with integrated batteries



- **Battery-operated with integrated 123 6V Lithium batteries.**
- **Reduced-stagnation solenoid valve and electronic unit integrated** into the body of the mixer.
- **Flow rate pre-set at 3 lpm** at 3 bar, can be adjusted from 1.5 - 6 lpm.
- **Scale-resistant flow straightener.**
- **Duty flush** (~60 sec. every 24hr after last use).
- Active, infrared presence detection, sensor at the end of the spout optimises detection.
- Chrome-plated solid brass body.
- Cap fixed in place by 2 concealed screws.
- PEX flexibles with filters and non-return valves.
- Fixing reinforced by 2 stainless steel rods.
- Anti-blocking security.
- Side temperature control with adjustable maximum temperature limiter.



49000615

490106

<b>TEMPOMATIC MIX 4 battery-operated basin mixer</b>	
With stopcocks F $\frac{3}{8}$ "	<b>490006</b>
With stopcocks Ø 15mm for compression fittings	<b>49000615</b>
Without stopcocks F $\frac{3}{8}$ "	<b>490106</b>

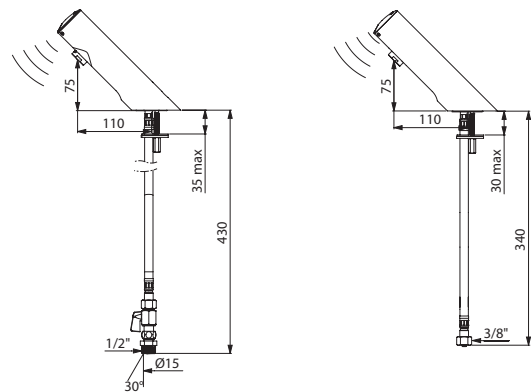
*For long lever, please add LH after the reference*

**TEMPOMATIC 4 for basins**

Electronic tap with integrated batteries



- **Battery-operated with integrated 123 6V Lithium batteries.**
- **Reduced-stagnation solenoid valve and electronic unit integrated** into the body of the tap.
- **Flow rate pre-set at 3 lpm** at 3 bar, can be adjusted from 1.5 - 6 lpm.
- **Scale-resistant flow straightener.**
- **Duty flush** (~60 sec. every 24hr after last use).
- Active, infrared presence detection, sensor at the end of the spout optimises detection.
- Chrome-plated solid brass body.
- Cap fixed in place by 2 concealed screws.
- PEX flexible with filter.
- Fixing reinforced by 2 stainless steel rods.
- Anti-blocking security.



44000615

440106

<b>TEMPOMATIC 4 battery-operated basin tap</b>	
With stopcock F $\frac{3}{8}$ "	<b>440006</b>
With stopcock Ø 15mm for compression fittings	<b>44000615</b>
Without stopcock F $\frac{3}{8}$ "	<b>440106</b>

*We recommend installing a TMV (see page 90)*



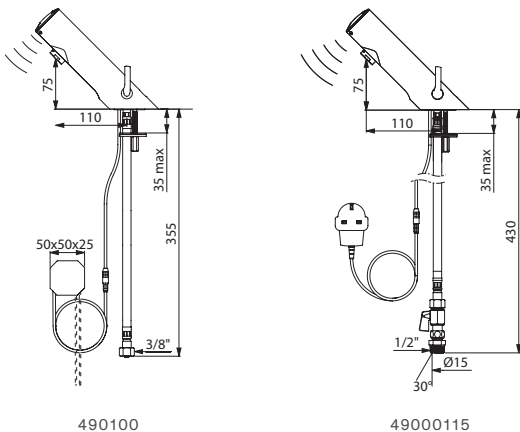
- **BIOSAFE** infection control: no manual contact, reduced-stagnation solenoid valve, anti-bacterial duty flush
- **Water savings:** 90%
- **Easy to install:** electronic system integrated into the body of the mixer/tap

### TEMPOMATIC MIX 4 for basins

Electronic mixer with mains supply



- **230/6V mains supply.**
- **Reduced-stagnation solenoid valve and electronic unit integrated** into the body of the mixer.
- **Flow rate pre-set at 3 lpm** at 3 bar, can be adjusted from 1.5 - 6 lpm.
- **Scale-resistant flow straightener.**
- **Duty flush** (~60 sec. every 24hr after last use).
- Active, infrared presence detection, sensor at the end of the spout optimises detection.
- Chrome-plated solid brass body.
- Cap fixed in place by 2 concealed screws.
- PEX flexibles with filters and non-return valves.
- Fixing reinforced by 2 stainless steel rods.
- Anti-blocking security.
- Side temperature control with adjustable maximum temperature limiter.



TEMPOMATIC MIX 4 mixer with mains supply	
<b>Recessed mains supply</b>	
With stopcocks F $\frac{3}{8}$ "	<b>490000</b>
With stopcocks $\varnothing$ 15mm for compression fittings	<b>49000015</b>
Without stopcocks F $\frac{3}{8}$ "	<b>490100</b>
<b>Plug-in mains supply</b>	
With stopcocks F $\frac{3}{8}$ ", European plug	<b>490001</b>
With stopcocks $\varnothing$ 15mm for compression fittings, British plug	<b>49000115</b>
Without stopcocks F $\frac{3}{8}$ ", European plug	<b>490101</b>

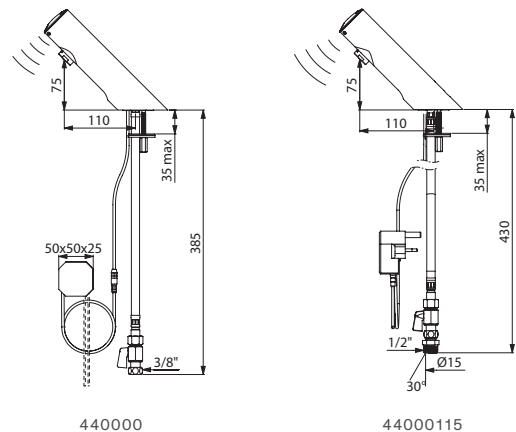
For long lever, please add LH after the reference

### TEMPOMATIC 4 for basins

Electronic tap with mains supply



- **230/6V mains supply.**
- **Reduced-stagnation solenoid valve and electronic unit integrated** into the body of the tap.
- **Flow rate pre-set at 3 lpm** at 3 bar, can be adjusted from 1.5 - 6 lpm.
- **Scale-resistant flow straightener.**
- **Duty flush** (~60 sec. every 24hr after last use).
- Active, infrared presence detection, sensor at the end of the spout optimises detection.
- Chrome-plated solid brass body.
- Cap fixed in place by 2 concealed screws.
- PEX flexible with filter.
- Fixing reinforced by 2 stainless steel rods.
- Anti-blocking security.



TEMPOMATIC 4 tap with mains supply	
<b>Recessed mains supply</b>	
With stopcock F $\frac{3}{8}$ "	<b>440000</b>
With stopcock $\varnothing$ 15mm for compression fittings	<b>44000015</b>
Without stopcock F $\frac{3}{8}$ "	<b>440100</b>
<b>Plug-in mains supply</b>	
With stopcock F $\frac{3}{8}$ ", European plug	<b>440001</b>
With stopcock F $\frac{3}{8}$ ", British plug	<b>440001HK</b>
With stopcock $\varnothing$ 15mm for compression fittings, British plug	<b>44000115</b>
Without stopcock F $\frac{3}{8}$ ", European plug	<b>440101</b>

We recommend installing a TMV (see page 90)

Option: copper tails (see page 93)



Surgical scrub-up trough with high upstand 3 services **187000** - TEMPOMATIC electronic basin tap with BIOCLIP spout **20804T2**  
Stainless steel paper towel dispenser **6607D**



- **BIOSAFE** infection control: no manual contact and anti-bacterial duty flush
- **Water savings:** over 85%
- **Maintenance:** LED diagnostic aids

### TEMPOMATIC for basins with BIOCLIP spouts

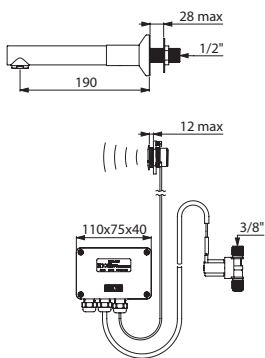
Electronic wall-mounted tap with mains supply



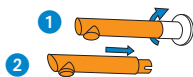
- **Independent IP65 electronic control unit.**
- **230/12V mains supply with transformer.**
- **Flow rate limited to 4 lpm** at 3 bar.
- Supplied with either 2 removable BIOCLIP stainless steel spouts or 1 disposable Hostaform® spout. Can be replaced with a BIOFIL filter spout (see page 47).
- **Base and spout with smooth interiors** (reduces bacterial development).
- **Adjustable duty flush** (pre-set flush ~60 sec. every 24hr after last use).
- Separate sensor for mounting on panels.
- Solenoid valve with integrated filter.
- Shock-resistant infrared presence detection sensor.
- Ø 60mm chrome-plated brass base.
- Anti-blocking security.
- Recommended installation height: 110-200mm above the basin surface.

**Two shut-off options:**

- > **Standard mode:** timed flow with automatic shut-off.
- > **ON/OFF mode:** user shuts off flow voluntarily or automatic shut-off after 30 minutes of flow. Thermal shocks are possible.



20804T2



**To replace a removable spout with a BIOFIL spout:**

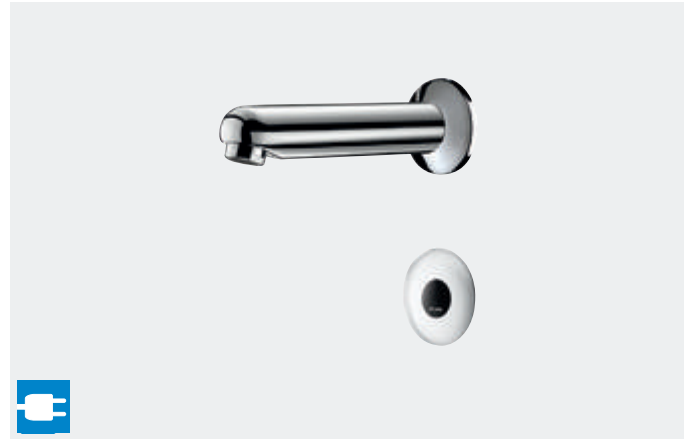
- 1 Either pull the disposable spout or turn the stainless steel spout through 90° clockwise and then pull it towards you to remove it.
- 2 Insert the BIOFIL spout and turn it through 90° anti-clockwise.

TEMPOMATIC wall-mounted basin tap with BIOCLIP spout	
Stainless steel spout, M3/8"	<b>20804T2</b>
Stainless steel spout, Ø 15mm for compression fittings	<b>20804T215</b>
Disposable spout, M3/8"	<b>20801T2</b>

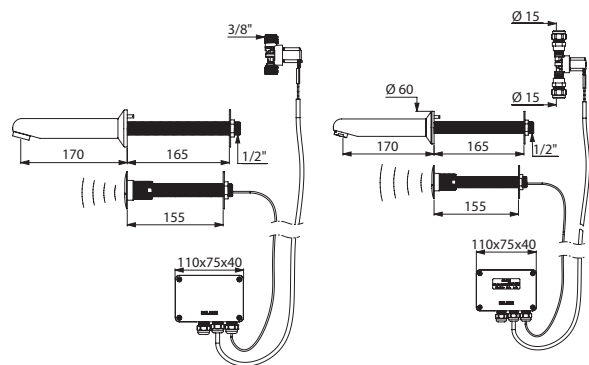
We recommend installing a TMV (see page 90)  
**Option:** BIOFIL filter spouts (see page 47)

### TEMPOMATIC for basins

Cross wall electronic tap with mains supply



- **Independent IP65 electronic control unit.**
- **230/12V mains supply with transformer.**
- **Flow rate pre-set at 3 lpm** at 3 bar, can be adjusted from 1.5 - 6 lpm.
- **Scale-resistant flow straightener.**
- **Adjustable duty flush** (pre-set flush ~60 sec. every 24hr after last use).
- Shock-resistant infrared presence detection sensor for walls ≤ 155mm.
- Anti-blocking security.
- Solenoid valve with integrated filter.
- Chrome-plated fixed spout L. 170mm for walls ≤ 165mm with anti-rotating pin.
- Wall plate flush to the wall.
- Threaded rods can be cut to size.
- Recommended installation height: 110-200mm above the basin surface.



441157

44115715

TEMPOMATIC cross wall tap	
M3/8"	<b>441157</b>
Ø 15mm for compression fittings	<b>44115715</b>

We recommend installing a TMV (see page 90)  
 Alternative spout and cross wall lengths available on request



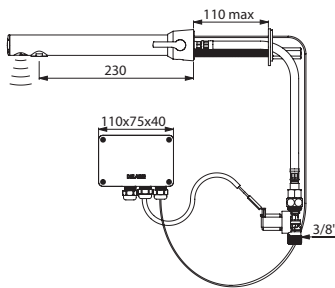
- **BIOSAFE** infection control: no manual contact, anti-bacterial duty flush, spout with smooth interior and low water volume
- **Water savings:** 90%
- **Maintenance:** LED diagnostic aids

**BINOPTIC MIX for basins**

Electronic cross wall mixer with mains supply



- **Independent IP65 electronic control unit.**
- **230/12V mains supply with transformer.**
- **Flow rate pre-set at 3 lpm** at 3 bar, can be adjusted from 1.5 - 6 lpm.
- **Scale-resistant flow straightener.**
- **Adjustable duty flush** (pre-set flush ~60 sec. every 24hr after last use).
- Active, infrared presence detection, sensor at the end of the spout optimises detection.
- Filters and solenoid valves.
- Chrome-plated brass body.
- Chrome-plated spout for cross wall installation ≤ 110mm.
- Cable L. 120mm for sensor, flexibles and mounting all pass through the same hole.
- Anti-blocking security.
- **Spout with smooth interior and low water volume** (reduces bacterial development).
- Side temperature control with adjustable maximum temperature limiter.
- Recommended installation height: 110-200mm above the basin surface.



379MCH

BINOPTIC MIX cross wall basin mixer	
M $\frac{3}{8}$ "	<b>379MCH</b>
Ø 15mm for compression fittings	<b>379MCH15</b>

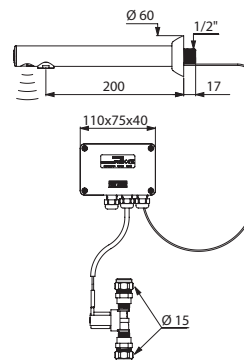
Other sensor cable lengths available on request (up to 5m)  
For long lever, please add "L" after the reference

**BINOPTIC for basins**

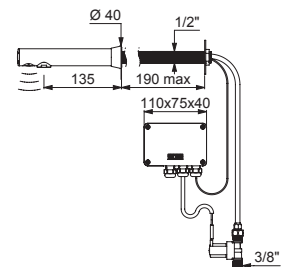
Electronic recessed or cross wall mains supply tap



- **Independent IP65 electronic control unit.**
- **230/12V mains supply with transformer.**
- **Flow rate pre-set at 3 lpm** at 3 bar, can be adjusted from 1.5 - 6 lpm.
- **Scale-resistant flow straightener.**
- **Adjustable duty flush** (pre-set flush ~60 sec. every 24hr after last use).
- Active, infrared presence detection, sensor at the end of the spout optimises detection.
- Filter and solenoid valve.
- Chrome-plated brass body.
- Chrome-plated spout for recessed installation or for partitions ≤ 190mm.
- Anti-blocking security.
- **Spout with smooth interior and low water volume** (reduces bacterial development).
- Recommended installation height: 110-200mm above the basin surface.



379ENC15



379D13

BINOPTIC wall-mounted basin tap	
Recessed spout L. 200mm	<b>379ENC</b>
Recessed spout L. 200mm, Ø 15mm for compression fittings	<b>379ENC15</b>
For walls ≤ 190mm, spout L. 205mm	<b>379DER</b>
For walls ≤ 190mm, spout L. 205mm, Ø 15mm for compression fittings	<b>379DER15</b>
For walls ≤ 190mm, spout L. 135mm	<b>379D13</b>
For walls ≤ 190mm, spout L. 135mm, Ø 15mm for compression fittings	<b>379D1315</b>

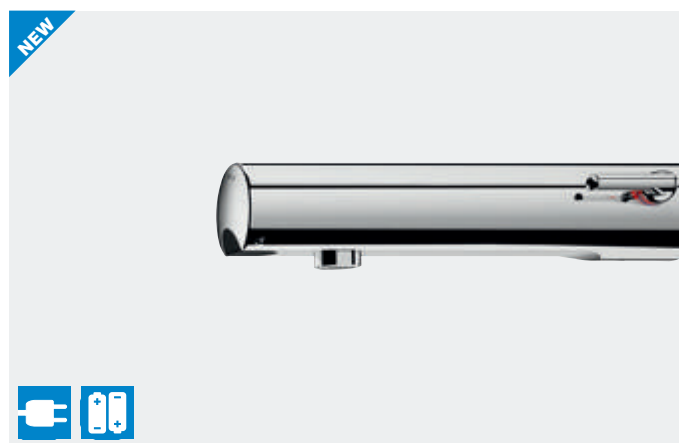
Other sensor cable lengths available on request (up to 5m)



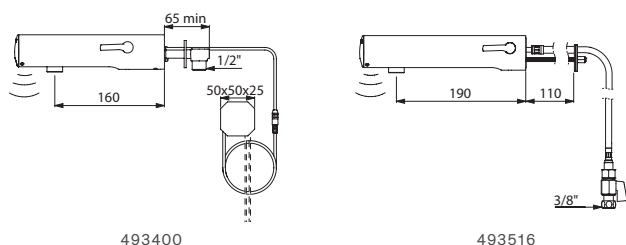
- **BIOSAFE** infection control: no manual contact, reduced-stagnation solenoid valve, anti-bacterial duty flush
- **Water savings:** 90%
- **Easy to install:** electronic system and batteries integrated into the body of the mixer/tap
- **Easy to replace the batteries:** after 3-6 years, without removing the mixer/tap or shutting off the water supply

### TEMPOMATIC MIX 4 for basins

Wall-mounted electronic mixer, mains/battery-operated

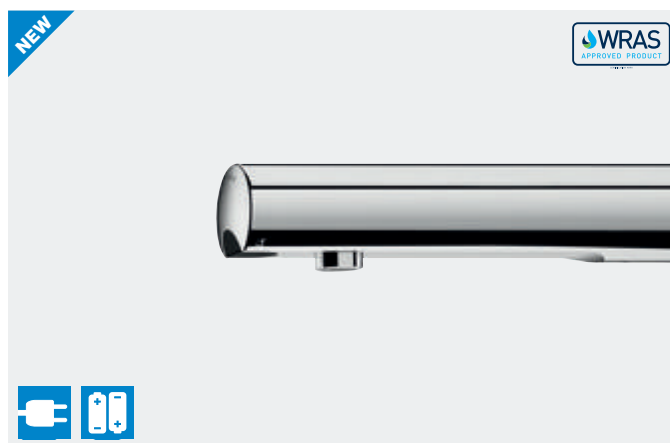


- **230/6V mains supply** or **battery-operated with integrated 123 6V Lithium batteries.**
- **Reduced-stagnation solenoid valve and electronic unit integrated** into the body of the mixer.
- **Flow rate pre-set at 3 lpm** at 3 bar, can be adjusted from 1.5 - 6 lpm.
- **Scale-resistant flow straightener.**
- **Duty flush** (~60 sec. every 24hr after last use).
- Active, infrared presence detection, sensor at the end of the spout optimises detection.
- Chrome-plated metal body.
- Cap fixed in place by 2 concealed screws.
- Stopcocks.
- Anti-blocking security.
- Side temperature control with adjustable maximum temperature limiter.
- Recommended installation height: 110-200mm above the basin surface.

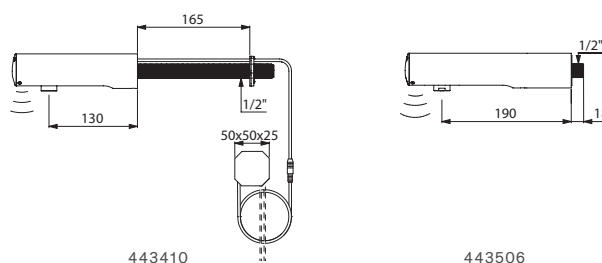


### TEMPOMATIC 4 for basins

Wall-mounted electronic tap, mains/battery-operated



- **230/6V mains supply** or **battery-operated with integrated 123 6V Lithium batteries.**
- **Reduced-stagnation solenoid valve and electronic unit integrated** into the body of the tap.
- **Flow rate pre-set at 3 lpm** at 3 bar, can be adjusted from 1.5 - 6 lpm.
- **Scale-resistant flow straightener.**
- **Duty flush** (~60 sec. every 24hr after last use).
- Active, infrared presence detection, sensor at the end of the spout optimises detection.
- Chrome-plated metal body.
- Cap fixed in place by 2 concealed screws.
- Stopcock on the mains versions.
- Anti-blocking security.
- Recommended installation height: 110-200mm above the basin surface.



*\* Provisional availability 2<sup>nd</sup> half 2019.  
Please contact sales office to check availability.*

*Provisional availability 2<sup>nd</sup> half 2019.  
Please contact sales office to check availability.*

TEMPOMATIC MIX 4 wall-mounted basin mixer	
<b>Recessed mains supply</b>	
Wall-mounted L. 160mm (recessed water inlets)	<b>493400</b>
Wall-mounted L. 220mm (recessed water inlets)	<b>493500</b>
Cross wall L. 130mm	<b>493410</b>
Cross wall L. 190mm	<b>493510</b>
<b>6V Lithium battery-operated</b>	
Wall-mounted L. 160mm (recessed water inlets)	<b>493406</b>
Wall-mounted L. 220mm (recessed water inlets)	<b>493506</b>
Cross wall L. 130mm	<b>493416</b>
Cross wall L. 190mm	<b>493516</b>

For long lever, please add "L" after the reference

TEMPOMATIC 4 wall-mounted basin tap	
<b>Recessed mains supply</b>	
Wall-mounted L. 130mm (recessed water inlet)	<b>443400*</b>
Wall-mounted L. 190mm (recessed water inlet)	<b>443500*</b>
Cross wall L. 130mm	<b>443410*</b>
Cross wall L. 190mm	<b>443510*</b>
<b>6V Lithium battery-operated</b>	
Wall-mounted L. 125mm (recessed water inlet)	<b>443406</b>
Wall-mounted L. 190mm (recessed water inlet)	<b>443506</b>
Cross wall L. 130mm	<b>443416*</b>
Cross wall L. 190mm	<b>443516*</b>
Panel-mounted L. 125mm ≤ 24mm	<b>443426</b>
Panel-mounted L. 190mm ≤ 24mm	<b>443526</b>

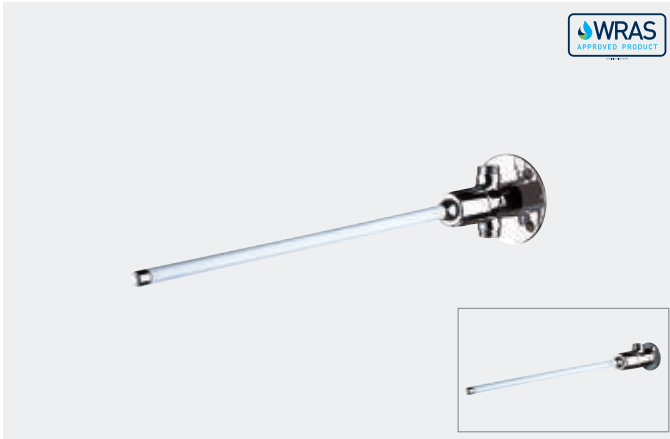
We recommend installing a TMV (see page 90)



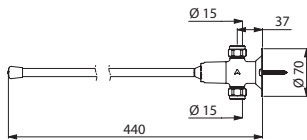
- **BIOSAFE** infection control: no manual contact, automatic timed or instant shut-off depending on the model
- **Comfort**: automatic shut-off

**TEMPOGENOU**

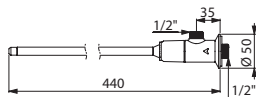
Knee-operated time flow basin valve



- **Time flow ~7 seconds.**
- **Flow rate pre-set at 3 lpm** at 3 bar, can be adjusted from 1.5 - 6 lpm.
- Control lever reinforced by an internal stainless steel rod.
- Solid brass wall plate with reinforced fixing via 4 stainless steel screws on the in-line models.
- Cold or mixed water supply.
- **Chrome-plated solid brass body.**



73544715



734100

TEMPOGENOU valve	
Straight for in-line inlet, M1/2"	<b>735400</b>
Straight for in-line inlet Ø 15mm for compression fittings	<b>73544715</b>
Angled for recessed inlet, M1/2"	<b>734100</b>

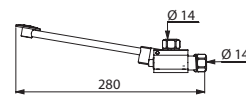
We recommend installing a TMV (see page 90)  
**Option:** spouts (see pages 47-49)

**MIXFOOT / MONOFOOT**

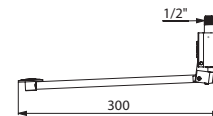
Foot-operated basin mixer/valve with instant shut-off



- **Instant automatic shut-off.**
- **Pedal can be raised for cleaning the floor.**
- Adjustable pedal height.
- Fixed by 4 screws.
- Filters.
- Pre-set mixing can be adjusted on the MIXFOOT mixer version: half open for cold water and fully open for mixed water (pedal touching the floor).
- Available for floor or wall-mounting.



739000



736102

MIXFOOT mixer	
Floor-mounted, stud nut Ø 14mm	<b>739000</b>
Floor-mounted M1/2"	<b>739100</b>
Wall-mounted M1/2"	<b>739102</b>
MONOFOOT valve	
Floor-mounted, stud nut Ø 14mm	<b>736001</b>
Floor-mounted M1/2"	<b>736101</b>
Wall-mounted M1/2"	<b>736102</b>

We recommend installing a TMV (see page 90) with the MONOFOOT valve  
**Option:** spouts (see pages 47-49)





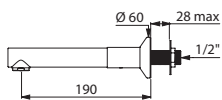
- **BIOSAFE** infection control: base and spout with smooth interiors
- **Removable spout:** mixer and tap spouts are susceptible to bacterial development so must be cleaned regularly. The stainless steel spout can be changed regularly or replaced by a BIOFIL filter or disposable spout

### Wall-mounted base with BIOCLIP spout

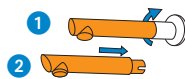
For panels < 20mm



- Ø 60mm base in chrome-plated brass, order a non-contact foot or knee-operated control to complete.
- Supplied with either 2 removable BIOCLIP stainless steel spouts or 1 disposable Hostaform® spout. Can be replaced with a BIOFIL filter spout (see opposite).
- **Base and spout with smooth interiors** (reduces bacterial development).



1804T2



**To replace a removable spout with a BIOFIL spout:**

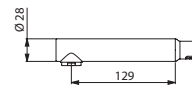
- 1 Either pull the disposable spout or turn the stainless steel spout through 90° clockwise and then pull it towards you to remove it.
- 2 Insert the BIOFIL spout and turn it through 90° anti-clockwise.

### Related products

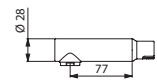


**BIOCLIP stainless steel spouts**

- **Removable spout** for cleaning/disinfection or autoclaving.
- Hygienic flow straightener, suitable for fitting a terminal filter (see *BIOFIL cartridges page 26*).



20002



20003

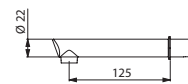
**2 removable stainless steel spouts Ø 28mm**

L. 129mm	<b>20002</b>
L. 77mm	<b>20003</b>



**BIOCLIP disposable spouts**

- **Removable, disposable spout** made from recyclable Hostaform® with star-shaped flow straightener.



20015

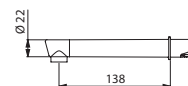
**15 removable, disposable spouts L. 125mm, Ø 22mm**

**20015**



**BIOCLIP BIOFIL spouts**

- **Removable spout with integrated anti-bacterial filter.**
- Single use, sterilising grade 0.1µm absolute-rated.
- Compatible with and resistant to chemical and thermal shocks in the water system (for more information see page 25).



20040.10P/30040.10P

**10 filter spouts L. 138mm, Ø 22mm**

Sterile CE, 62 days	<b>20040.10P</b>
Non-sterile CE, 62 days	<b>30040.10P</b>

Wall-mounted base with BIOCLIP spout	
Stainless steel spout	<b>1804T2</b>
Disposable spout	<b>1801T2</b>

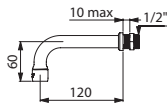
**Options:** disposable spouts or BIOFIL filter spouts (see opposite)  
 Non-contact mixers/taps (see opposite) or electronic mixers/taps (see pages 35-45)

**Fixed L-shaped spout**

Wall-mounted



- Tubular spout Ø 18mm, M1/2".
- L. 120mm.
- Chrome-plated brass.
- Flow straightener.



941922

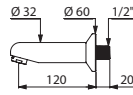
Fixed wall-mounted L-shaped universal spout	
Star-shaped flow straightener	<b>941120</b>
Flow straightener regulated at 3lpm for panels ≤ 10mm	<b>941922</b>

**Fixed spout with wall plate**

Wall-mounted



- Spout Ø 32mm and wall plate Ø 60mm, M1/2".
- Recessed inlet.
- L. 120mm.
- Chrome-plated solid brass.
- Scale-resistant flow straightener regulated at 3 lpm.



947135

Fixed wall-mounted spout with wall plate	
	<b>947135</b>

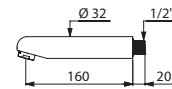
[Alternative lengths available on request](#)

**Fixed spout**

Wall-mounted



- Spout Ø 32mm, M1/2".
- Recessed inlet.
- Chrome-plated solid brass.
- Scale-resistant flow straightener regulated at 3 lpm.



947170

Fixed wall-mounted spout	
L. 110mm	<b>947120</b>
L. 160mm	<b>947170</b>

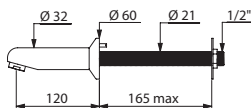
[Alternative lengths available on request](#)

**Fixed spout with wall plate**

Cross wall



- Spout Ø 32mm and wall plate Ø 60mm, M1/2".
- L. 120mm.
- For cross wall installation for walls ≤ 165mm with anti-rotating pin.
- Threaded rod can be cut to size.
- Chrome-plated solid brass.
- Scale-resistant flow straightener regulated at 3 lpm.



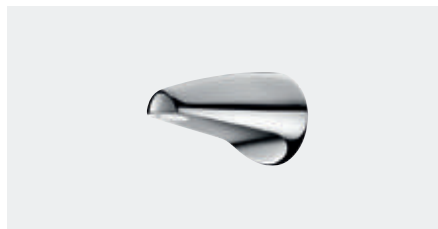
947151

Fixed cross wall spout with wall plate	
L. 120mm	<b>947151</b>
Back-nut with 3 screws	<b>826315</b>

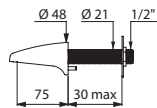
[Alternative lengths available on request](#)

**Fixed spout**

Cross wall



- Spout L. 75mm, M1/2".
- For cross wall installation with anti-rotating pin.
- Threaded rod can be cut to size.
- Streamlined, ligature-resistant design.
- Chrome-plated solid brass.
- Star-shaped scale-resistant flow straightener.

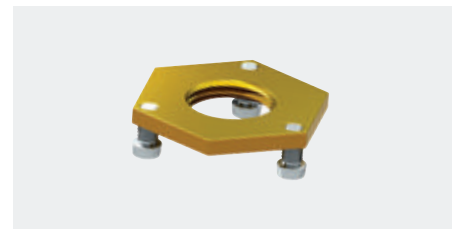


942040

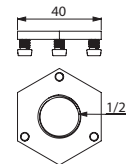
Fixed cross wall spout	
For walls ≤ 230mm	<b>942200</b>
For panels ≤ 30mm	<b>942040</b>
Back-nut with 3 screws	<b>826315</b>

[Alternative cross wall lengths available on request](#)

**Back-nut with 3 screws**



- Rough brass back-nut F1/2".
- For cross wall valves or spouts 1/2".
- Reinforced clamp behind wall.
- 3 stainless steel screws.
- Supplied with sealing washer Ø 44mm.



826315

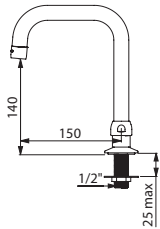
Back-nut with 3 screws	<b>826315</b>
------------------------	---------------

### Swivelling tubular spout

Deck-mounted



- Tubular spout Ø 22mm on base, M $\frac{1}{2}$ ".
- Spout with smooth interior (reduces bacterial development).
- Chrome-plated brass.
- Scale-resistant flow straightener.



1306T1

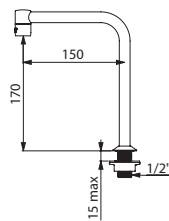
Deck-mounted swivelling tubular spout	
L. 150mm H. 140mm, 3 lpm	<b>1306T1</b>
L. 200mm H. 260mm, 3 lpm	<b>1306T2</b>
L. 300mm H. 260mm	<b>1306T3</b>

### Fixed tubular spout

Deck-mounted



- Tubular spout Ø 16mm on base, M $\frac{1}{2}$ ".
- L. 150mm, H. 170mm.
- Spout with smooth interior (reduces bacterial development).
- Chrome-plated brass.
- Scale-resistant flow straightener regulated at 3 lpm.



204001

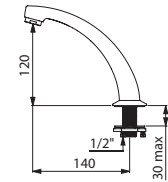
Deck-mounted fixed tubular spout	
	<b>204001</b>

### Fixed, cast spout

Deck-mounted



- Spout L. 140mm, H. 120mm, M $\frac{1}{2}$ ".
- Reinforced fixing by 3 stainless steel screws.
- Chrome-plated solid brass.
- Scale-resistant flow straightener regulated at 3 lpm.

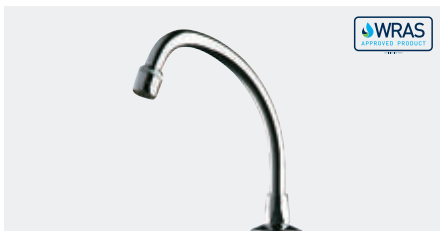


981142

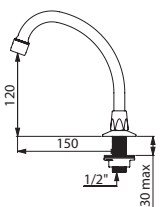
Deck-mounted fixed cast spout	
	<b>981142</b>

### Swivelling swan neck spout

Deck-mounted



- Swan neck spout M $\frac{1}{2}$ ".
- Fixing by back-nut.
- Chrome-plated brass.
- Scale-resistant flow straightener regulated at 3 lpm.



967152

Deck-mounted swivelling swan neck spout	
L. 150mm H. 120mm	<b>967152</b>
L. 200mm H. 200mm	<b>967202</b>

### ECO flow straightener

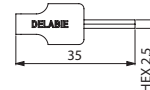
Pre-set at 3 lpm



- Flow straightener pre-set at 3 lpm (DELABIE patented).
- **Flow rate can be adjusted from 1.5 - 6 lpm** at 3 bar (depending on mixer/tap model) from the outside with a 2.5mm Allen key.
- Flow straightener with no grid: reduces bacterial development (no water retention or scale deposits).
- Supplied in packs of 2.



922024.2P



C282025

ECO flow straightener pre-set at 3 lpm	
M24/100	<b>922024.2P</b>
F22/100	<b>922022.2P</b>
2.5mm Allen Key	<b>C282025</b>

### BIOSAFE hygienic outlet



- **Free flow outlet with no grid** or partitions in contact with the water.
- **Water cannot stagnate in the internal part.**
- Made from Hostaform® (scale-resistant material).
- Chrome-plated brass collar.
- Supplied individually (for more information see pages 96 and 97).



923024



923022

BIOSAFE hygienic outlet	
M24/100	<b>923024</b>
F22/100	<b>923022</b>



DELABIE

ON  
OFF

# SECURITHERM

## thermostatic and pressure-balancing mixers for basins, sinks and troughs

SEQUENTIAL  
THERMOSTATIC  
MIXERS  
**56**



DUAL CONTROL  
THERMOSTATIC  
MIXERS  
**59**



PRESSURE-BALANCING  
MIXERS  
**65**





## SEQUENTIAL OPEN AND CLOSING ON COLD WATER

### Improved ergonomics and functionality

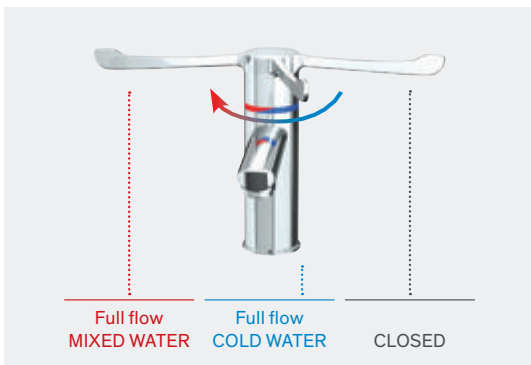
The new generation of DELABIE's thermostatic mixers is sequential: the same lateral movement over a 180° range opens the water flow and adjusts the temperature.

### Opens and closes on cold water

SECURITHERM sequential mixers open and close on cold water for increased anti-scalding failsafe.

### Cold water

Opening with cold water, without any passage of hot water, ensures the supply of only cold water if required (exclusive to DELABIE).



Sequential open and closing

## COMFORT AND ERGONOMICS

### Temperature stability

SECURITHERM thermostatic mixers ensure stable temperatures regardless of pressure and flow rate variations in the system. They respond immediately to any changes.

### Optimised hand washing and personal washing

thanks to a large drop height and increased spout length.

### Ergonomic controls

are easy to operate, and are suitable for hospital patients, the elderly or disabled people.

### Intuitive identification

Clear visual identification of Hot and Cold Water on a Red/Blue coloured index ring.

## SECURITHERM: OPTIMISED ANTI-SCALDING FAILSAFE

### Automatic anti-scalding failsafe

SECURITHERM thermostatic technology ensures immediate hot water shut-off if the cold water supply fails. If the cold water supply fails, the European standard EN 1111 allows a slight leak of hot water (0.10L/10 seconds).

With DELABIE's thermostatic mixers **the hot water shut-off is complete** (with no trickle of water). If the hot water supply fails, DELABIE's SECURITHERM mixers also shut off the cold water supply.

### Maximum temperature limiter

All DELABIE's mixers are supplied with a **pre-set maximum temperature limiter**. The user cannot increase the temperature above the maximum set temperature, reducing the risk of scalding.

### Thermal shock safety

With SECURITHERM thermostatic mixers, it is possible to **undertake thermal shocks at the temperature of the hot water in the system**:

- On standard dual control models simply press the little red button with a pointed tool to override the maximum temperature limiter (see page 13).
- Remove the control lever to unblock the temperature limiter index ring on sequential models.

### Securitouch technology

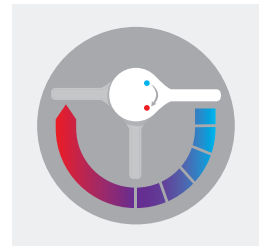
Specifically designed for patients, people with reduced mobility, the elderly and children, Securitouch technology provides increased safety for superior comfort.

**The whole mechanism on certain SECURITHERM models is thermally insulated**, preventing any risk of burns when touching the mixer.

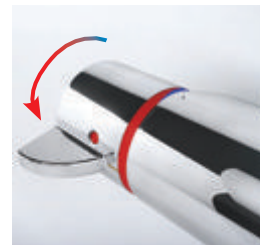
## 45% WATER AND ENERGY SAVINGS

### Flow rate regulated at 5 lpm or 7 lpm

Most of DELABIE's thermostatic basin mixers are fitted with a flow rate regulator set at 5 lpm (dual control models) or 7 lpm (sequential models). They provide significant water and energy savings while ensuring optimal user comfort.



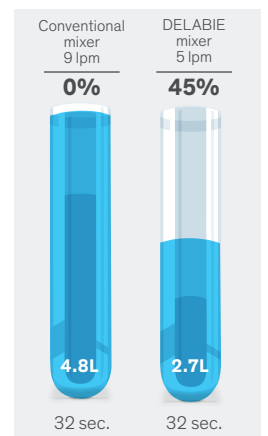
Sequential open and closing



Temperature limiter



Securitouch technology: cool-touch



Water savings per use



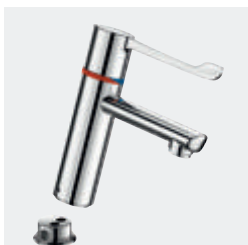
## BIOSAFE: INFECTION CONTROL

### No non-return valves SHW/SCW cross flow is impossible

DELABIE has developed a unique system that enables sequential thermostatic mixers to close on Hot Water and Cold Water directly at the inlets, making non-return valves completely redundant.

The risk of cross flow is, therefore, completely eliminated.

For more information see page 11.

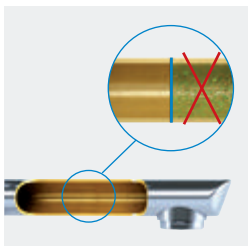


Removable mixer

### BIOCLIP removable mixers for cleaning/disinfection

Since they are in contact with water, the internal surfaces of mixers and taps are exposed to bacterial proliferation. BIOCLIP mixers can be completely removed from their base, providing simple and effective solutions to fight against the spread of germs inside and on the outside of mixers and taps, and against the spread of infectious bacteria by hand. They allow easy cleaning and disinfection, both preventative and curative.

For more information see page 10.



Body with smooth interior

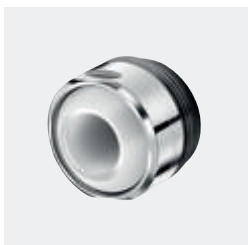
### Available versions

- BIOCLIP mixers with removable spouts are supplied with 2 stainless steel spouts, ensuring continuous use during cleaning/disinfection. They can be replaced by:
  - Stainless steel spouts
  - Disposable Hostaform® spouts
  - BIOFIL filter spouts
- BIOCLIP mixers can be completely removed from their base.

### Body with smooth interior

All the internal parts of the body and spout of the majority of DELABIE's mixers/taps are completely smooth, reducing biofilm attachment and making it easier to treat.

For more information see page 10.



BIOSAFE hygienic outlet



### Low volume of standing water in the body

Some of DELABIE's basin mixers have specifically designed interiors that reduce the volume of standing water in the body and thus significantly reduce the risk of bacterial development. In effect, water flows from the inlets to the cartridge via narrow tubes which can only hold a limited volume of water. The risk of bacterial proliferation is reduced.

Sequential thermostatic mixers also possess the advantage of having only one mechanism rather than two like dual control models. Therefore, less components are in contact with water and there is less standing water in the mixer.

### Specifically designed spout heights

- A high spout reduces the risk of retro-contamination by bacteria.
- Deck-mounted mixers with high spouts and wall-mounted mixers are suitable for fitting anti-bacterial terminal filters.

### BIOSAFE hygienic outlet

Made from Hostaform®, its smooth internal surface provides nowhere for impurities or scale to adhere, reducing the emergence and spread of bacteria and germs in damp conditions.

It can only be installed on a mixer or tap that already has a restricted flow rate to ensure a good flow with no splashing.

For more information see pages 96-97.

### PEX flexible supply hoses

These flexible hoses will withstand thermal and chemical shocks undertaken in healthcare facilities for preventative or curative treatment against the development of bacteria.

Soft-tempered copper tails are available on request, and are also able to withstand thermal shocks.

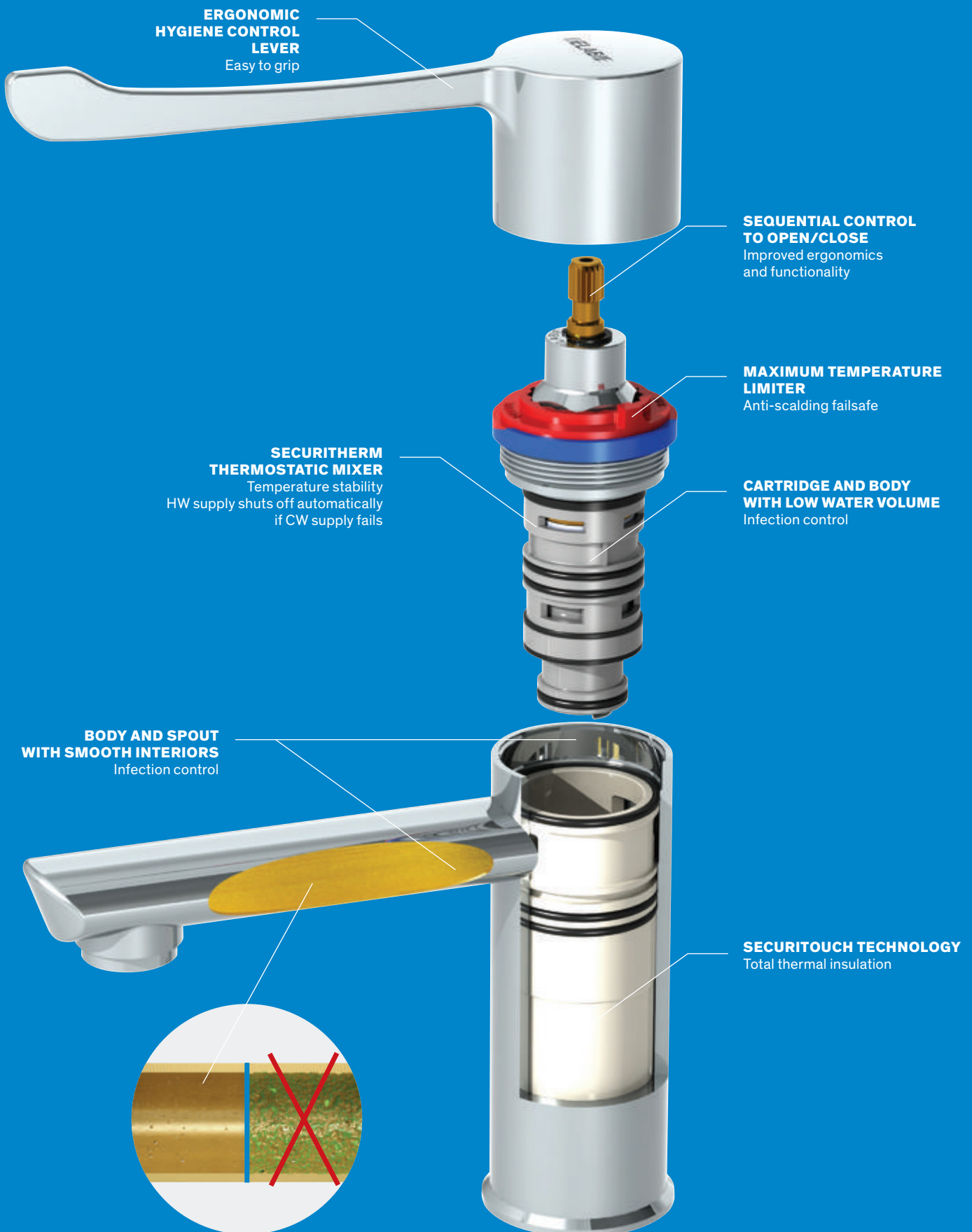
## AND ALSO...

### Robust

- Body, base and spout made from chrome-plated brass.
- Reinforced fixing by 2 stainless steel rods with back-nuts for deck-mounted models: easy to install and reduces vandalism.

**10-year warranty** against any manufacturing defects.





## DELABIE / SECURITHERM deck-mounted sequential thermostatic mixers



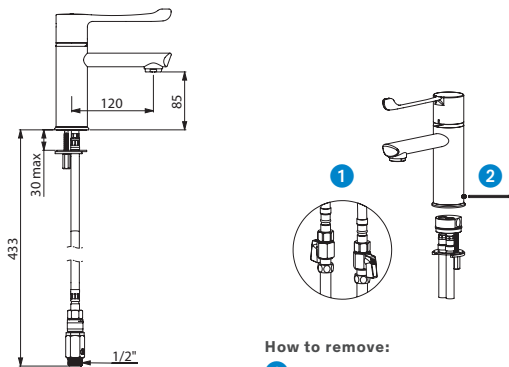
- **SECURITHERM** anti-scalding failsafe: immediate shut-off if cold water supply fails, **Securitouch** thermal insulation
- **Sequential open and closing on cold water**: increased anti-scalding failsafe
- **BIOSAFE** infection control: body and spout with smooth interiors, fewer components in contact with water
- **No non-return valves on the inlets**: no risk of cross flow between HW and CW, reduced risk of bacterial proliferation

### SECURITHERM BIOCLIP for basins H. 85mm

Removable sequential thermostatic mixer



- **Can be removed entirely** for cleaning/disinfection (see page 10).
- **Anti-scalding failsafe**: immediate shut-off if cold water supply fails.
- **Securitouch thermal insulation prevents burns.**
- **No risk of cross flow between hot and cold water.**
- **No non-return valves** on the inlets.
- Straight spout **H. 85mm L. 120mm** with hygienic flow straightener.
- **Scale-resistant sequential thermostatic cartridge.**
- Temperature control: cold water up to 40°C.
- Temperature limiter set at 40°C.
- Thermal or chemical shocks are possible.
- **Body and spout with smooth interiors and low water volume.**
- **Flow rate regulated at 7 lpm.**
- No manual contact thanks to Hygiene control lever.
- Fixing reinforced by 2 stainless steel rods.



H9605

#### How to remove:

- 1 Shut off the water supply.
- 2 Unscrew the grub screw to remove the mixer from its fixed base.

#### SECURITHERM BIOCLIP basin mixer H. 85mm L. 120mm

##### With lever L. 146mm

PEX flexibles with stopcocks, M $\frac{1}{2}$ "	<b>H9605</b>
PEX flexibles without stopcocks, M $\frac{1}{2}$ "	<b>H96051</b>
PEX flexibles with stopcocks, Ø 15mm for compression fittings	<b>H960515</b>
Copper tails	<b>H9605610</b>

##### With lever L. 100mm

PEX flexibles with stopcocks, Ø 15mm for compression fittings	<b>H960515L</b>
Copper tails	<b>H9605610L</b>

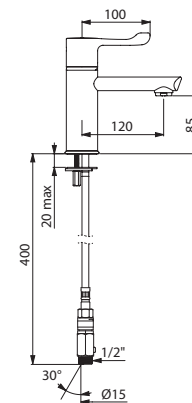
**Option:** wastes (see page 91)

### SECURITHERM for basins H. 85mm

Sequential thermostatic mixer



- **Anti-scalding failsafe**: immediate shut-off if cold water supply fails.
- **Securitouch thermal insulation prevents burns.**
- **No risk of cross flow between hot and cold water.**
- **No non-return valves** on the inlets.
- Straight spout **H. 85mm L. 120mm** with hygienic flow straightener.
- **Scale-resistant sequential thermostatic cartridge.**
- Temperature control: cold water up to 40°C.
- Temperature limiter set at 40°C.
- Thermal or chemical shocks are possible.
- **Body and spout with smooth interiors and low water volume.**
- **Flow rate regulated at 7 lpm.**
- No manual contact thanks to Hygiene control lever.
- Fixing reinforced by 2 stainless steel rods.



H9600610L

#### SECURITHERM basin mixer H. 85mm L. 120mm

##### With lever L. 146mm

PEX flexibles with stopcocks, M $\frac{1}{2}$ "	<b>H9600</b>
PEX flexibles without stopcocks, M $\frac{1}{2}$ "	<b>H96001</b>
PEX flexibles with stopcocks, Ø 15mm for compression fittings	<b>H960015</b>
Copper tails	<b>H9600610</b>

##### With lever L. 100mm

PEX flexibles with stopcocks, Ø 15mm for compression fittings	<b>H960015L</b>
Copper tails	<b>H9600610L</b>

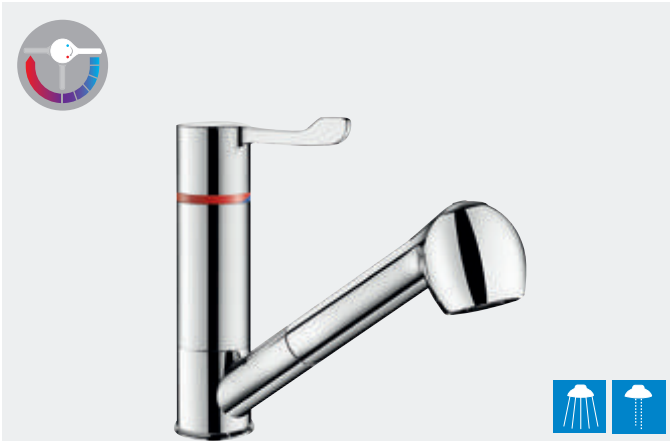
**Option:** wastes (see page 91)



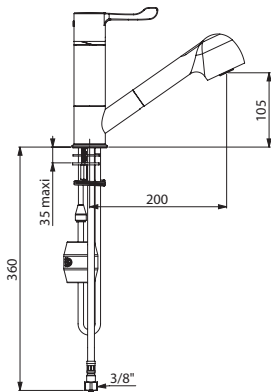
- **SECURITHERM** anti-scalding failsafe: immediate shut-off if cold water supply fails, **Securitouch** thermal insulation
- **BIOSAFE flexible shower hose reduces bacterial proliferation**: transparent flexible hose allows visual checks to ensure that the interior is not contaminated with biofilm, flexible hose has a smooth interior/exterior and low water volume
- **No non-return valves on the inlets**: no risk of cross flow between HW and CW, reduced risk of bacterial proliferation

**SECURITHERM, retracting hand spray H. 105mm**

Sequential thermostatic mixer with swivelling spout



- Perfectly suited to babies' baths.
- **Anti-scalding failsafe**: immediate shut-off if cold water supply fails.
- **Securitouch thermal insulation prevents burns.**
- **No risk of cross flow between hot and cold water.**
- **No non-return valves** on the inlets.
- Swivelling spout **H. 105mm L. 200mm**.
- Retracting hand spray with 2 jet options: flow straightener/rain effect.
- Scale-resistant **sequential thermostatic cartridge**.
- Temperature control: cold water up to 40°C.
- Maximum temperature limiter set at 40°C.
- **Body with smooth interior.**
- **Flow rate regulated at 3 lpm.**
- No manual contact thanks to Hygiene control lever L. 100mm.
- Mixed water brass outlet L. 105mm.
- **BIOSAFE flexible shower hose reduces bacterial proliferation**: transparent polyurethane, smooth interior and exterior, low water volume (internal Ø 6mm). Specific counterweight.
- PEX flexibles F $\frac{3}{8}$ ".
- Fixing reinforced by 2 stainless steel rods.



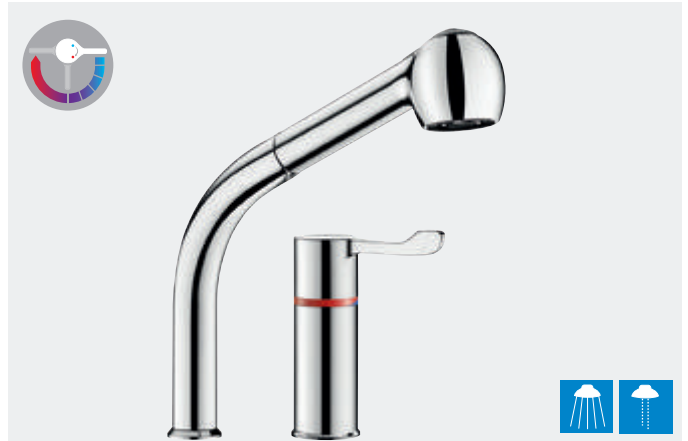
H9612

<b>SECURITHERM sink mixer with retracting hand spray H. 105mm L. 200mm</b>	<b>H9612</b>
--	--------------

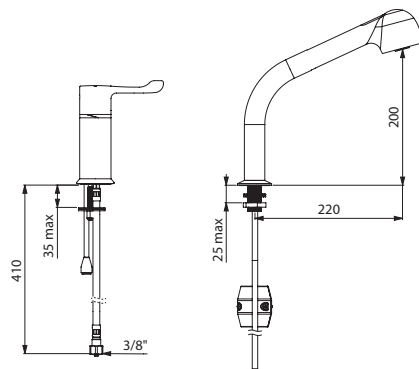
**Option:** wastes (see page 91)

**SECURITHERM, retracting hand spray H. 200mm**

Sequential thermostatic mixer set and column



- Perfectly suited to babies' baths.
- **Anti-scalding failsafe**: immediate shut-off if cold water supply fails.
- **Securitouch thermal insulation prevents burns.**
- **No risk of cross flow between hot and cold water.**
- **No non-return valves** on the inlets.
- Swivelling column **H. 200mm L. 220mm**.
- Retracting hand spray with 2 jet options: flow straightener/rain effect.
- Scale-resistant **sequential thermostatic cartridge**.
- Temperature control: cold water up to 40°C.
- Maximum temperature limiter set at 40°C.
- **Body and column with smooth interiors.**
- **Flow rate regulated at 7 lpm.**
- No manual contact thanks to Hygiene control lever L. 100mm.
- Mixed water brass outlet L. 160mm.
- **BIOSAFE flexible shower hose reduces bacterial proliferation**: transparent polyurethane, smooth interior and exterior, low water volume (internal Ø 6mm). Specific counterweight.
- PEX flexibles F $\frac{3}{8}$ ".
- Fixing reinforced by 2 stainless steel rods.



H9613

<b>SECURITHERM sink mixer with retracting hand spray</b>	
Mixer and column	<b>H9613</b>
Mixer only	<b>H9642</b>
Hand spray column	<b>1316</b>

**Option:** wastes (see page 91), BIOFIL hand spray with integrated filter (see page 27)

THERM/EP BASINS/SINKS



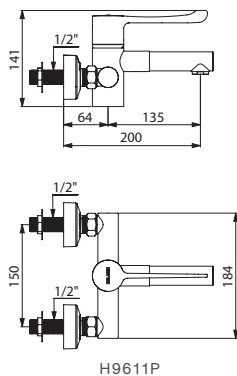
- **SECURITHERM** anti-scalding failsafe: immediate shut-off if cold water supply fails, **Securitouch** thermal insulation
- **BIOSAFE** infection control: body and spout with smooth interiors, fewer components in contact with water
- **Removable spout**: the stainless steel spout can be changed regularly or replaced by a BIOFIL filter spout or disposable spout
- **No non-return valves on the inlets**: no risk of cross flow between HW and CW, reduced risk of bacterial proliferation

**SECURITHERM sink mixer**

Wall-mounted thermostatic mixer



- Wall-mounted with 150mm or 200mm centre.
- **Anti-scalding failsafe**: immediate shut-off if cold water supply fails.
- **Securitouch thermal insulation prevents burns.**
- **No risk of cross flow between hot and cold water.**
- Supplied with **2 removable BIOCLIP stainless steel spouts** L. 135mm Ø 28mm for continuous use during cleaning and disinfection. Can be replaced with a BIOFIL filter spout or a disposable Hostaform® spout.
- **Scale-resistant thermostatic sequential cartridge.**
- Temperature control: cold water up to 40°C.
- Temperature limiter set at 40°C.
- Thermal or chemical shocks are possible.
- **Body and spout with smooth interiors and low water volume.**
- **Flow rate regulated at to 7 lpm.**
- No manual contact thanks to Hygiene control lever L. 146mm.
- Supplied with 2 in-line STOP/CHECK wall connectors M½" M¾" (see page 92).



H9611P

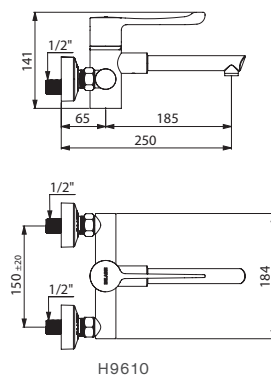
Wall-mounted SECURITHERM sink mixer with BIOCLIP stainless steel spout	
150mm centre	<b>H9611P</b>
200mm centre	<b>H9614P</b>
<b>Option: wastes (see page 91)</b>	

**SECURITHERM sink mixer**

Wall-mounted thermostatic mixer



- Wall-mounted with 150mm centre.
- **Anti-scalding failsafe**: immediate shut-off if cold water supply fails.
- **Securitouch thermal insulation prevents burns.**
- **No risk of cross flow between hot and cold water.**
- Supplied with **1 disposable Hostaform® spout** L. 185mm Ø 22mm. Can be replaced with a stainless steel spout or a BIOFIL filter spout.
- **Scale-resistant thermostatic sequential cartridge.**
- Temperature control: cold water up to 40°C.
- Temperature limiter set at 40°C.
- Thermal or chemical shocks are possible.
- **Body and spout with smooth interiors and low water volume.**
- **Flow rate regulated at to 7 lpm.**
- No manual contact thanks to Hygiene control lever L. 146mm.
- Supplied with 2 offset wall connectors M½" M¾" (see page 92).



H9610

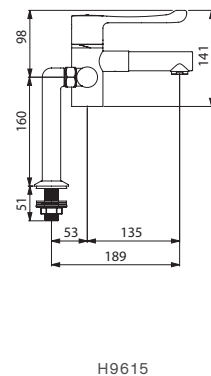
Wall-mounted SECURITHERM sink mixer with BIOCLIP disposable spout	
With STOP/CHECK connectors	<b>H9610</b>
With standard connectors	<b>H910S</b>
<b>Option: wastes (see page 91)</b>	

**SECURITHERM sink mixer**

Pillar mounted thermostatic mixer



- M½" pillar mounted.
- **Anti-scalding failsafe**: immediate shut-off if cold water supply fails.
- **Securitouch thermal insulation prevents burns.**
- **No risk of cross flow between hot and cold water.**
- Supplied with **2 removable BIOCLIP stainless steel spouts** L. 135mm Ø 28mm for continuous use during cleaning and disinfection. Can be replaced with a BIOFIL filter spout or a disposable Hostaform® spout.
- **Scale-resistant thermostatic sequential cartridge.**
- Temperature control: cold water up to 40°C.
- Temperature limiter set at 40°C.
- Thermal or chemical shocks are possible.
- **Body and spout with smooth interiors and low water volume.**
- **Flow rate regulated at to 7 lpm.**
- No manual contact thanks to Hygiene control lever L. 146mm.



H9615

Pillar mounted SECURITHERM mixer with BIOCLIP stainless steel spout	
	<b>H9615</b>
<b>Option: wastes (see page 91)</b>	



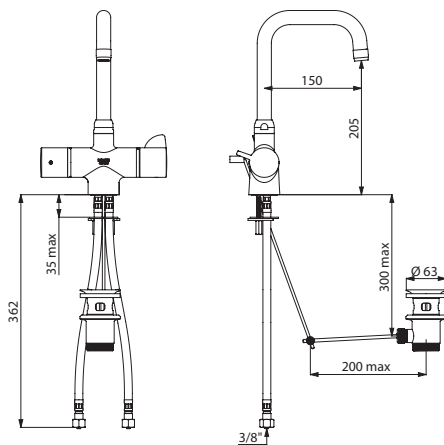
- **SECURITHERM** anti-scalding failsafe: immediate shut-off if cold water supply fails; secure thermal shock
- **BIOSAFE** infection control: spout with smooth interior, easy to remove for cleaning and disinfection
- **Ergonomics**: controls are easy to grip, ideal for hospital patients, children, the elderly or disabled people

### SECURITHERM for basins H. 205mm L. 150mm

Dual control thermostatic mixer



- **Anti-scalding failsafe**: immediate shut-off if cold water supply fails.
- Swivelling spout **H. 205mm L. 150mm with smooth interior**.
- **BIOSAFE** hygienic **spout outlet**, suitable for fitting a BIOFIL terminal filter (see page 26).
- Scale-resistant **thermostatic cartridge** for adjusting the temperature.
- ¼-turn ceramic head for adjusting the flow rate.
- Temperature can be adjusted, with two temperature limiters: first temperature limiter set at 38°C, and second set at 41°C.
- **Thermal shocks are easy to undertake** without removing the control knob or shutting off the water supply (see page 53).
- **Flow rate regulated at 5 lpm**.
- ERGO control knobs.
- Ergonomic pop-up waste 1¼" in brass.
- PEX flexibles F¾" with filters and non-return valves.
- Fixing reinforced by 2 stainless steel rods.



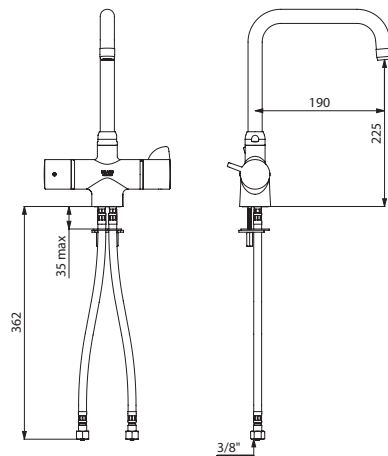
H9726

### SECURITHERM sinks/troughs H. 225mm L. 190mm

Dual control thermostatic mixer



- **Anti-scalding failsafe**: immediate shut-off if cold water supply fails.
- Swivelling spout **H. 225mm L. 190mm with smooth interior**.
- Hygienic flow straightener, suitable for fitting a BIOFIL terminal filter (see page 26).
- Scale-resistant **thermostatic cartridge** for adjusting the temperature.
- ¼-turn ceramic head for adjusting the flow rate.
- Temperature can be adjusted, with two temperature limiters: first temperature limiter set at 38°C, and second set at 41°C.
- **Thermal shocks are easy to undertake** without removing the control knob or shutting off the water supply (see page 53).
- **Flow rate limited to 9 lpm** at 3 bar.
- ERGO control knobs.
- PEX flexibles F¾" with filters and non-return valves.
- Fixing reinforced by 2 stainless steel rods.



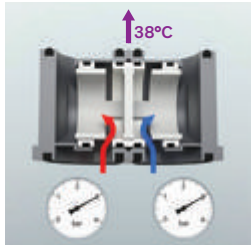
H9716

SECURITHERM basin mixer H. 205mm L. 150mm	H9726
Options: BIOFIL cartridge filters (see page 26), copper tails (see page 93)	

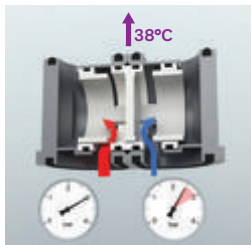
SECURITHERM sink mixer H. 225mm L. 190mm	H9716
Options: BIOFIL cartridge filters (see page 26), wastes (see page 91), Copper tails (see page 93)	

THERM/EP  
BASINS/SINKS

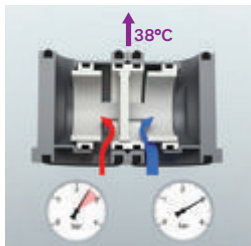
The principle of temperature regulation in an EP cartridge



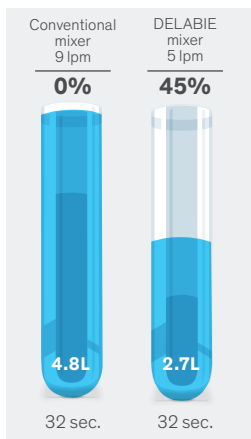
At 38°C: HW 3 bar/CW 3 bar



At 38°C: HW 3 bar/CW 2.5 bar



At 38°C: HW 2.5 bar/CW 3 bar



Water savings per use

## SECURITHERM: OPTIMISED ANTI-SCALDING SAFETY

### Automatic anti-scalding safety

SECURITHERM pressure-balancing technology, known as "EP", ensures instant and automatic safety. **If the Cold Water supply fails, the Hot Water flow rate is reduced, removing the risk of scalding for the user.** If the Hot Water supply fails, the Cold Water flow rate is likewise reduced.

### Maximum temperature limiter

All DELABIE's mixers are supplied with a **pre-set maximum temperature limiter**. The user cannot increase the temperature above the maximum set temperature, reducing the risk of scalding.

### Pressure-balancing

The EP cartridge **compensates for the unavoidable variations in pressure in the system** (draw off at other outlets in the system, etc.) ensuring that the water temperature at the outlet remains constant. The EP cartridge also removes the need for pressure regulators upstream of the mixer, which are complex and have large cavities and several membranes which are an additional source of niches where microbes can develop.

## COMFORT AND ERGONOMICS

### Pressure-balancing and temperature stability

By compensating for the variations in pressure between the Hot Water and Cold Water supplies, SECURITHERM EP mixers provide users with a constant temperature, removing any risk of scalding.

**A comparison of the behaviour of standard mechanical mixers and Pressure-balancing mixers based on pressure changes in the system:**

	Mixed water temperature in relation to pressure variations of SHW/SCW		
	HW: 3 bar CW: 3 bar	HW: 3 bar CW: 2 bar	HW: 2 bar CW: 3 bar
Standard mechanical mixers	38°C	64°C	15.5°C
DELABIE's mechanical EP mixers refs 2820TEP/2520EP/2565T1EP...	38°C	37.7°C	38.2°C

Starting calibration = 38°C

**Optimised hand washing and personal washing** thanks to a large drop height and increased spout length.

### Ergonomic controls

A large range of ergonomic control levers to meet the specific requirements of different users.

## 45% WATER AND ENERGY SAVINGS

### Flow rate limited to either 4 or 5 lpm

The majority of SECURITHERM EP basin mixers are fitted with flow rate limiters set at 4 or 5 lpm at 3 bar. As such water consumption is significantly reduced while ensuring maximum user comfort. *For more information see page 15.*

## BIOSAFE: INFECTION CONTROL

### BIACLIP removable mixers for cleaning/disinfection

BIACLIP mixers can be completely removed from their base, providing simple and effective solutions to fight against the spread of germs inside and on the outside of mixers and taps, and against the spread of infectious bacteria by hand.

They **allow easy cleaning and disinfection, both preventative and curative.**

*For more information see page 10.*

### Body with smooth interior

Most mixers and taps have bodies and spouts with rough interiors. As a result, they provide niches where bacteria can adhere.

All the internal parts of the body and spout of the majority of DELABIE's mixers/taps are completely smooth, reducing biofilm attachment and making it easier to treat.

*For more information see page 10.*

### Low volume of standing water in the body

Some of DELABIE's mixers have **specifically designed interiors that reduce the volume of standing water in the body** and thus significantly reduce the risk of bacterial development. In effect, water flows from the inlets to the cartridge via narrow tubes which can only hold a limited volume of water.

### Specifically designed spout heights

- A high spout reduces the risk of retro-contamination by bacteria.
- Deck-mounted mixers with high spouts and wall-mounted mixers are suitable for fitting anti-bacterial terminal filters.

### BIOSAFE hygienic outlet

Made from Hostaform®, its smooth internal surface provides **nowhere for impurities or scale to adhere**, reducing the emergence and spread of bacteria and germs in damp conditions.

It can only be installed on a mixer or tap that already has a restricted flow rate to ensure a good flow with no splashing.

*For more information see pages 96-97.*

### PEX flexible supply hoses

These flexible hoses will withstand thermal and chemical shocks undertaken in healthcare facilities for preventative or curative treatment against the development of bacteria.

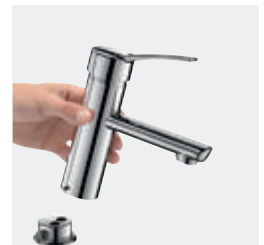
Soft-tempered copper tails are available on request, and are also able to withstand thermal shocks.

## AND ALSO...

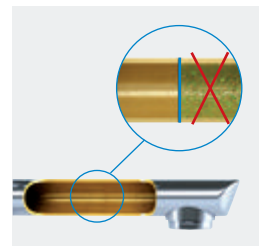
### Robust

- Body, base and spout made from chrome-plated brass.
- Reinforced fixing by 2 stainless steel rods with back-nuts for deck-mounted models: easy to install and reduces vandalism.

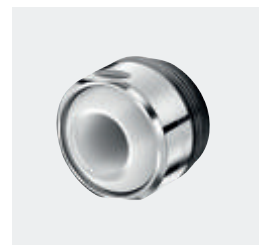
**10-year warranty** against any manufacturing defects.



Removable mixer



Body with smooth interior



BIOSAFE hygienic outlet





## 2620EP: MULTIPLE DEMANDS, A UNIQUE CONCEPT

### The mixer that meets all the patients' needs

#### SECURITHERM: ANTI-SCALDING SAFETY

As with all SECURITHERM EP mixers, the 2620EP mixer is fitted with a **maximum temperature limiter**, with **automatic anti-scalding safety**, and it also has the following specific advantages:

##### Pressure-balancing

The 2620EP mixer is fitted with a pressure-balancing cartridge.

This technology **compensates for the unavoidable variations in pressure in the system** (draw off at other outlets in the system, etc.) ensuring that the water temperature at the outlet remains constant.

*For more information see page 60.*

##### Securitouch technology

The body and mechanism of the 2620EP mixer have thermal insulation. Hot water flows from the inlets to the cartridge inside flexibles or copper tails then to the mechanism.

This internal design ensures the **absence of hot spots**.

##### Thermal shock safety

The 2620EP is **one of the only mechanical mixers on the market allowing thermal shocks at the temperature of the Hot Water in the system without removing the control lever or shutting off the Cold Water supply**. To override the temperature limiter, simply press the little red button behind the control lever.

*For more information see page 13.*

#### WATER AND ENERGY SAVINGS OF APPROXIMATELY 60%

##### Flow rate limited to 4 lpm

Fitted with flow rate limiters at 4 lpm at 3 bar, mixers from 2620EP BIOSAFE range enable water consumption to be considerably reduced whilst still ensuring optimal user comfort.

*For more information see page 15.*

#### MODERN DESIGN

The **sleek lines** of this mixer with **no spout** create a contemporary design without neglecting user comfort. The simple shape of the mixer reduces the build-up of dirt and facilitates cleaning, the fundamentals of hygiene.

#### BIOSAFE: INFECTION CONTROL

##### Very low water volume in the body

This mixer has been specifically designed to reduce the volume of standing water in the body to a minimum.

##### Comparison of standing water volumes in mixer bodies:

Conventional mixer	2620EP mixer
	
	Water volume is significantly reduced

**Smaller water passages and the absence of a spout mean that the volume of water in the body of the 2620EP mixer is significantly reduced and, as such, bacterial proliferation is also reduced.**

##### BIOSAFE outlet integrated into the mixer body

The BIOSAFE outlet is integrated directly into the mixer body. This design, with no spout, eliminates the area that is highly susceptible to bacterial development.

This BIOSAFE outlet is made from Hostaform®, its smooth internal surface provides **nowhere for impurities or scale to adhere**, reducing the emergence and spread of bacteria and germs in damp conditions.

*For more information see pages 96-97.*

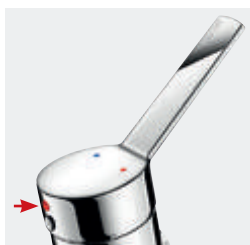
##### No contact with chrome, nickel or lead

The internal design of the 2620EP mixer prevents the water from coming into contact with chrome, nickel or lead. Therefore, the water delivered is safer and purer.

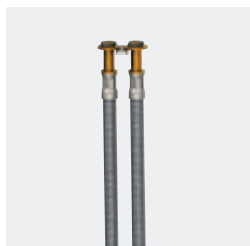
#### AND ALSO...

##### Easy to install

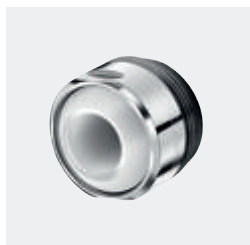
DELABIE has made installation easy by fitting the 2620EP mixer range with **copper tails** or **flexible hoses with rotating unions**, preventing any twisting. They can be removed if necessary.



Thermal shock feature



Rotating PEX flexibles or copper tails



BIOSAFE hygienic outlet





**THERMAL SHOCK FEATURE**  
Total safety  
Easy to undertake a thermal shock



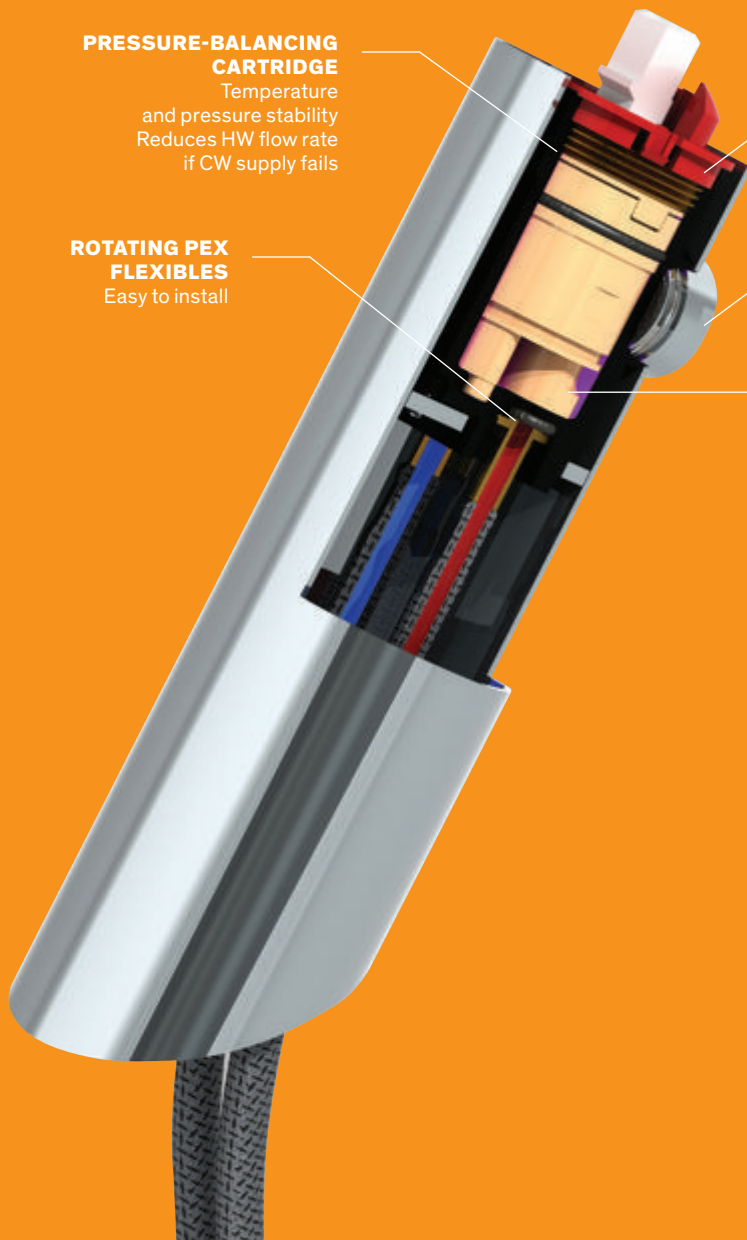
**PRESSURE-BALANCING CARTRIDGE**  
Temperature and pressure stability  
Reduces HW flow rate if CW supply fails

**ROTATING PEX FLEXIBLES**  
Easy to install

**MAXIMUM TEMPERATURE LIMITER**  
Anti-scalding safety

**BIOSAFE OUTLET INTEGRATED INTO THE MIXER BODY**  
Maximum hygiene

**CARTRIDGE AND BODY WITH VERY LOW WATER VOLUME**  
Infection control







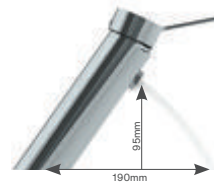
- **SECURITHERM EP** anti-scalding safety: maximum temperature limiter, HW flow rate is reduced if CW supply fails
- **SECURITHERM** thermal shock safety without removing the control lever or shutting off the cold water
- **BIOSAFE** infection control: body with very low water volume, no spout, integrated BIOSAFE outlet
- **Water savings:** 56%

**SECURITHERM EP BIOSAFE for basins H. 95mm or MINI H. 55mm**

Pressure-balancing mixer with no spout



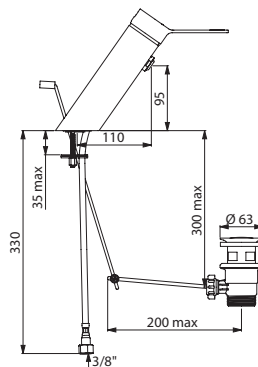
- **Anti-scalding safety:** HW flow rate is reduced if CW supply fails.
- **Securitouch thermal insulation prevents burns.**
- Mixer **with BIOSAFE hygienic outlet integrated into the body.**
- **Ø 35mm** ceramic **pressure-balancing cartridge.**
- Pre-set maximum **temperature limiter.**
- **Thermal shocks are possible** without removing the control lever or shutting off the CW supply.
- **Body with very low water volume** (reduces bacterial development).
- **Flow rate limited to 4 lpm** at 3 bar.
- Solid control lever.
- Rotating PEX flexibles F $\frac{3}{8}$ " or copper tails with filters and non-return valves.
- Fixing reinforced by 2 stainless steel rods.



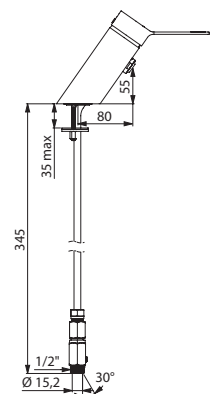
Also available with conventional cartridge (see page 75)

SECURITHERM EP BIOSAFE basin mixer	
<b>H. 95mm L. 110mm with PEX flexibles</b>	
With ergonomic pop-up waste 1¼" in brass	<b>2620EP</b>
Without pop-up waste	<b>2621EP</b>
<b>H. 55mm L. 80mm with PEX flexibles</b>	
With ergonomic pop-up waste 1¼" in polypropylene	<b>2620MINIEP</b>
Without pop-up waste	<b>2621MINIEP</b>
<b>H. 95mm L. 110mm with copper tails</b>	
With ergonomic pop-up waste 1¼" in brass	<b>26206EP</b>
Without pop-up waste	<b>26216EP</b>
<b>H. 55mm L. 80mm with copper tails</b>	
With ergonomic pop-up waste 1¼" in polypropylene	<b>26206MINIEP</b>
Without pop-up waste	<b>26216MINIEP</b>

**Option:** wastes for models without pop-up wastes (see page 91)  
 \* German Design Award Special 2017 awarded to the 2621EP model



2620EP



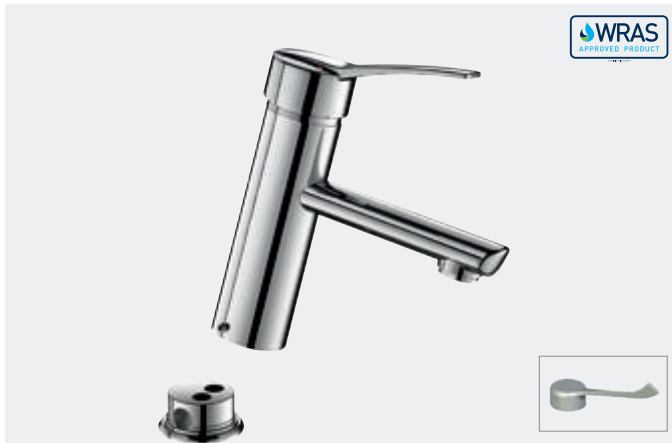
26216MINIEP



- **SECURITHERM EP** anti-scalding safety: maximum temperature limiter, HW flow rate is reduced if CW supply fails
- **BIOSAFE** infection control: body and spout with smooth interiors and low water volume
- **BIOSAFE**: fewer components in contact with water, reduces bacterial development
- **Water savings**: 45%

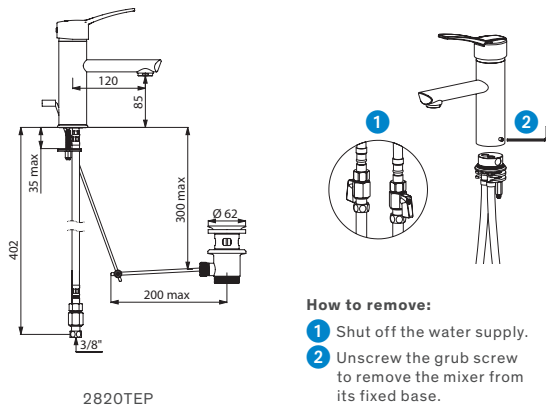
**SECURITHERM EP BIOCLIP for basins H. 85mm**

Removable pressure-balancing mixer, smooth interior



- **Can be removed entirely** for cleaning/disinfection (see page 10).
- **Anti-scalding safety**: HW flow rate is reduced if CW supply fails.
- Straight spout **H. 85mm L. 120mm** with hygienic flow straightener.
- Ø 40mm **pressure-balancing ceramic cartridge**.
- Pre-set maximum **temperature limiter**.
- **Body and spout with smooth interiors and low water volume** (reduces bacterial development).
- **Flow rate limited to 5 lpm** at 3 bar.
- PEX flexibles F $\frac{3}{8}$ " with filters and non-return valves.
- Fixing reinforced by 2 stainless steel rods.

Also available with conventional cartridge (see page 76)



2820TEP

**SECURITHERM EP BIOCLIP basin mixer H. 85mm L. 120mm**

**Solid control lever, with stopcocks**

With ergonomic pop-up waste 1¼" in brass	<b>2820TEP</b>
Without pop-up waste	<b>2821TEP</b>

**Solid control lever, without stopcocks**

With ergonomic pop-up waste 1¼" in brass	<b>28201TEP</b>
Without pop-up waste	<b>28211TEP</b>

**Hygiene control lever L. 150mm, with stopcocks**

With ergonomic pop-up waste 1¼" in brass	<b>2820LEP</b>
Without pop-up waste	<b>2821LEP</b>

**Hygiene control lever L. 150mm, without stopcocks**

With ergonomic pop-up waste 1¼" in brass	<b>28201LEP</b>
Without pop-up waste	<b>28211LEP</b>

**Options:** wastes for models without pop-up wastes (see page 91)  
Copper tails (see page 93)

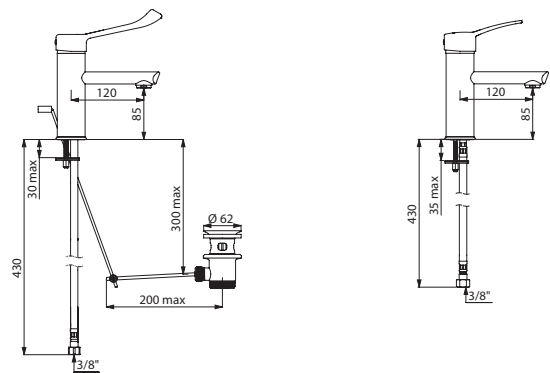
**SECURITHERM EP for basins H. 85mm**

Pressure-balancing mixer, smooth interior



- **Anti-scalding safety**: HW flow rate is reduced if CW supply fails.
- Straight spout **H. 85mm L. 120mm** with hygienic flow straightener.
- Ø 40mm **pressure-balancing ceramic cartridge**.
- Pre-set maximum **temperature limiter**.
- **Body and spout with smooth interiors and low water volume** (reduces bacterial development).
- **Flow rate limited to 5 lpm** at 3 bar.
- PEX flexibles F $\frac{3}{8}$ " with filters and non-return valves.
- Fixing reinforced by 2 stainless steel rods.

Also available with conventional cartridge (see page 76)



2720LEP

2721TEP

**SECURITHERM EP basin mixer H. 85mm L. 120mm**

**Solid control lever**

With ergonomic pop-up waste 1¼" in brass	<b>2720TEP</b>
Without pop-up waste	<b>2721TEP</b>

**Hygiene control lever L. 150mm**

With ergonomic pop-up waste 1¼" in brass	<b>2720LEP</b>
Without pop-up waste	<b>2721LEP</b>

**Options:** wastes for models without pop-up wastes (see page 91)  
Copper tails (see page 93)



- **SECURITHERM EP** anti-scalding safety: maximum temperature limiter, HW flow rate is reduced if CW supply fails
- **BIOSAFE**: fewer components in contact with water, reduces bacterial development

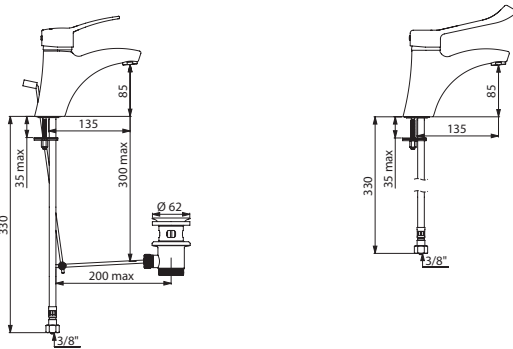
**SECURITHERM EP for basins H. 85mm**

Pressure-balancing mixer



- **Anti-scalding safety:** HW flow rate is reduced if CW supply fails.
- Spout **H. 85mm L. 135mm** with **BIOSAFE** hygienic outlet (see page 97).
- Ø 40mm **pressure-balancing** ceramic cartridge.
- Pre-set maximum **temperature limiter**.
- **Flow rate limited to 5 lpm** at 3 bar.
- PEX flexibles F $\frac{3}{8}$ " with filters and non-return valves.
- Fixing reinforced by 2 stainless steel rods.

Also available with conventional cartridge (see page 77)



2520TEP

2521LEP

<b>SECURITHERM EP basin mixer H. 85mm L. 135mm</b>	
<b>Sculptured control lever</b>	
With ergonomic pop-up waste 1¼" in brass	<b>2520EP</b>
Without pop-up waste	<b>2521EP</b>
<b>Solid control lever</b>	
With ergonomic pop-up waste 1¼" in brass	<b>2520TEP</b>
Without pop-up waste	<b>2521TEP</b>
<b>Hygiene control lever L. 150mm</b>	
With ergonomic pop-up waste 1¼" in brass	<b>2520LEP</b>
Without pop-up waste	<b>2521LEP</b>
<b>Options:</b> wastes for models without pop-up wastes (see page 91) Copper tails (see page 93)	

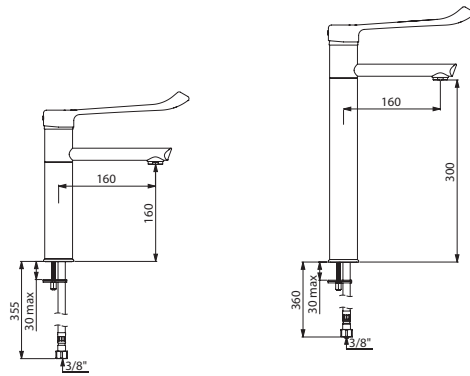
**SECURITHERM EP basins/troughs H. 160 - 300mm**

Pressure-balancing mixer, smooth interior



- **Anti-scalding safety:** HW flow rate is reduced if CW supply fails.
- **High fixed spout H. 160 - 300mm, L. 160mm** with hygienic flow straightener suitable for fitting a **BIOFIL terminal filter** (see page 26).
- Ø 40mm **pressure-balancing** ceramic cartridge.
- Pre-set maximum **temperature limiter**.
- **Body and spout with smooth interiors and low water volume** (reduces bacterial development).
- **Flow rate limited to 9 lpm** at 3 bar.
- No manual contact thanks to Hygiene control lever L. 215mm.
- PEX flexibles F $\frac{3}{8}$ " with filters and non-return valves.
- Fixing reinforced by 2 stainless steel rods.

Also available with conventional cartridge (see page 81)



2565T1EP

2565T3EP

<b>SECURITHERM EP basin/trough mixer H. 160 - 300mm, L. 160mm</b>	
Spout H. 160mm L. 160mm	<b>2565T1EP</b>
Spout H. 300mm L. 160mm	<b>2565T3EP</b>
<b>Options:</b> BIOFIL cartridge filters (see page 26), copper tails (see page 93) Wastes (see page 91)	

THERM/EP  
BASINS/SINKS

## DELABIE / SECURITHERM deck-mounted mixers with Pressure-balancing



- **SECURITHERM EP** anti-scalding safety: maximum temperature limiter, HW flow rate is reduced if CW supply fails
- **BIOSAFE flexible shower hose reduces bacterial proliferation**: transparent flexible hose allows visual checks to ensure that the interior is not contaminated with biofilm, flexible hose has a smooth interior/exterior and low water volume
- **Comfort**: retracting hand spray with 2 jet options: flow straightener/rain effect

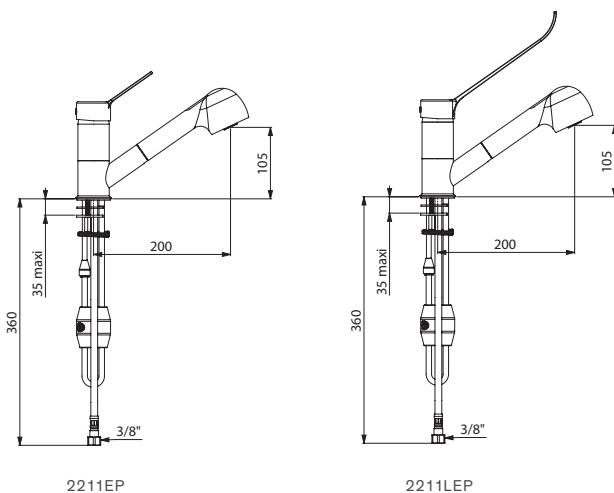
### SECURITHERM EP, retracting hand spray H. 105mm

Pressure-balancing mixer with swivelling spout



- **Perfectly suited to babies' baths.**
- **Anti-scalding safety**: HW flow rate is reduced if CW supply fails.
- **Securitouch thermal insulation prevents burns.**
- Swivelling spout **H. 105mm L. 200mm**.
- Retracting hand spray with 2 jet options: flow straightener/rain effect.
- Ø 40mm **pressure-balancing ceramic cartridge**.
- Pre-set maximum **temperature limiter**.
- **Body with smooth interior.**
- **Flow rate limited to 7 lpm** at 3 bar.
- Mixed water brass outlet L. 105mm.
- **BIOSAFE flexible shower hose reduces bacterial proliferation**: transparent polyurethane, smooth interior and exterior, low water volume (interior Ø 6mm). Specific counterweight.
- PEX flexibles F $\frac{3}{8}$ " with filters and non-return valves.
- Fixing reinforced by 2 stainless steel rods.

Also available with conventional cartridge (see page 82)



2211EP

2211LEP

#### SECURITHERM EP sink mixer with retracting hand spray H. 105mm L. 200mm

Solid control lever	<b>2211EP</b>
Hygiene control lever L. 175mm	<b>2211LEP</b>

**Options**: wastes (see page 91), BIOFIL hand spray filters (see page 27)

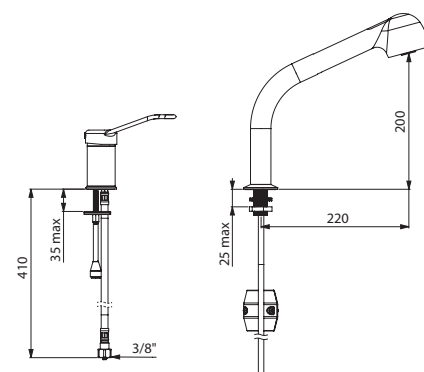
### SECURITHERM EP, retracting hand spray H. 200mm

Pressure-balancing mixer set and column



- **Perfectly suited to babies' baths.**
- **Anti-scalding safety**: HW flow rate is reduced if CW supply fails.
- **Securitouch thermal insulation prevents burns.**
- Swivelling column **H. 200mm L. 220mm**.
- Retracting hand spray with 2 jet options: flow straightener/rain effect.
- **Ø 35mm pressure-balancing ceramic cartridge**.
- Pre-set maximum **temperature limiter**.
- **Mixer body and column with smooth interiors.**
- **Flow rate limited to 7 lpm** at 3 bar.
- Sculptured control lever.
- Mixed water brass outlet L. 160mm.
- **BIOSAFE flexible shower hose reduces bacterial proliferation**: transparent polyurethane, smooth interior and exterior, low water volume (interior Ø 6mm). Specific counterweight.
- PEX flexibles F $\frac{3}{8}$ " with filters and non-return valves.
- Fixing reinforced by 2 stainless steel rods.

Also available with conventional cartridge (see page 82)



2599EP

#### SECURITHERM EP sink mixer with retracting hand spray H. 200mm L. 220mm

Mixer and column	<b>2599EP</b>
Mixer only	<b>2542EP</b>
Column only	<b>1316</b>

**Options**: wastes (see page 91), BIOFIL hand spray filters (see page 27)



- **SECURITHERM EP** anti-scalding safety: maximum temperature limiter, HW flow rate is reduced if CW supply fails
- **BIOSAFE** infection control: body and spout with smooth interiors and low water volume
- **BIOSAFE**: fewer components in contact with water, reduces bacterial development
- **Ergonomics**: sculptured or Hygiene control levers are easy to grip

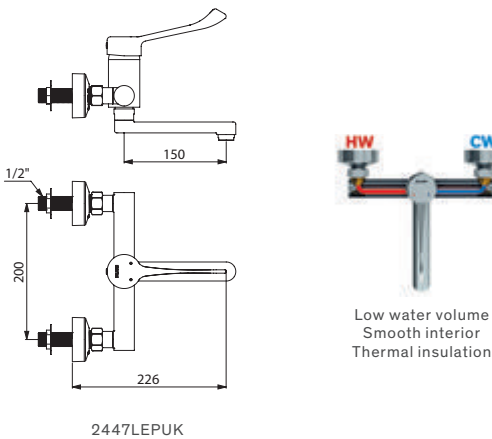
**SECURITHERM EP wall-mounted Securitouch**

Pressure-balancing mixer, in-line connectors



- **Anti-scalding safety:** HW flow rate is reduced if CW supply fails.
- **Securitouch thermal insulation prevents burns.**
- **Flat, fixed under spout** with hygienic flow straightener suitable for fitting a **BIOFIL terminal filter** (see page 26).
- Ø 40mm **pressure-balancing ceramic cartridge.**
- Pre-set maximum **temperature limiter.**
- **Body and spout with smooth interiors and low water volume** (reduces bacterial development).
- **Flow rate regulated at 5 lpm.**
- No manual contact thanks to Hygiene control lever L. 150mm.
- Supplied with in-line STOP/CHECK connectors M $\frac{1}{2}$ " M $\frac{3}{4}$ " (see page 92).

Also available with conventional cartridge (see page 86)



SECURITHERM EP wall-mounted Securitouch for basins with in-line connectors	
Spout L. 200mm, 150mm centres	<b>2445LEPUK</b>
Spout L. 150mm, 150mm centres	<b>2446LEPUK</b>
Spout L. 150mm, 200mm centres	<b>2447LEPUK</b>

Options: BIOFIL cartridge filters (see page 26), wastes (see page 91)

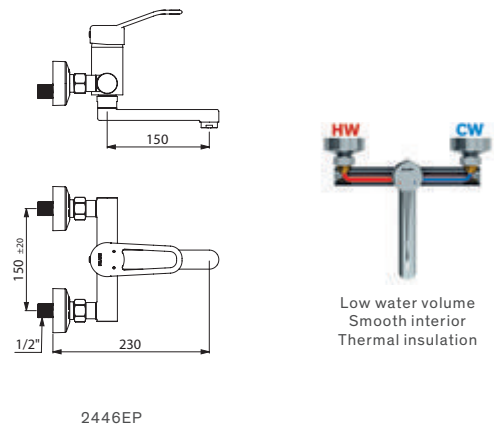
**SECURITHERM EP wall-mounted Securitouch**

Pressure-balancing mixer, offset connectors



- **Anti-scalding safety:** HW flow rate is reduced if CW supply fails.
- **Securitouch thermal insulation prevents burns.**
- **Flat, swivelling under spout** with hygienic flow straightener suitable for fitting a **BIOFIL terminal filter** (see page 26).
- Ø 40mm **pressure-balancing ceramic cartridge.**
- Pre-set maximum **temperature limiter.**
- **Body and spout with smooth interiors and low water volume** (reduces bacterial development).
- **Flow rate regulated at 5 lpm.**
- Supplied with 2 offset wall connectors M $\frac{1}{2}$ " M $\frac{3}{4}$ " (see page 92).

Also available with conventional cartridge (see page 86)



**SECURITHERM EP wall-mounted Securitouch for basins with offset connectors**

Sculptured control lever	
STOP/CHECK connectors, spout L. 200mm	<b>2445EP</b>
Standard connectors, spout L. 200mm	<b>2445EPS</b>
STOP/CHECK connectors, spout L. 150mm	<b>2446EP</b>
Standard connectors, spout L. 150mm	<b>2446EPS</b>
Hygiene control lever L. 150mm	
STOP/CHECK connectors, spout L. 200mm	<b>2445LEP</b>
Standard connectors, spout L. 200mm	<b>2445LEPS</b>
STOP/CHECK connectors, spout L. 150mm	<b>2446LEP</b>
Standard connectors, spout L. 150mm	<b>2446LEPS</b>

Options: BIOFIL cartridge filters (see page 26), wastes (see page 91)

THERM/EP  
BASINS/SINKS





# Mixers with ceramic cartridges for washbasins, sinks and troughs

DECK-MOUNTED MIXERS  
**75**



MIXERS WITH RETRACTING HAND SPRAYS  
**82**



WALL-MOUNTED MIXERS  
**85**





**BIOSAFE: INFECTION CONTROL**

**BIOCLIP removable mixers and taps for cleaning/disinfection**

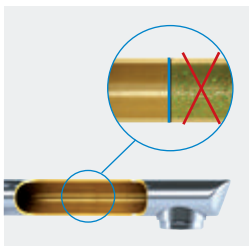
The BIOCLIP range of mixers and taps can be fitted with specialist spouts and the whole interior can be cleaned - the only way to eliminate biofilm completely - helping to fight effectively against bacterial development.



Removable mixer

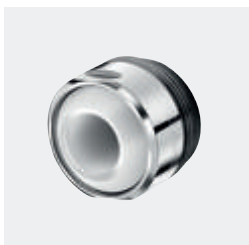
- **Mixers with removable BIOCLIP spouts**  
Mixers are supplied with two stainless steel spouts. The second spout ensures continuous use while the first is being cleaned. Alternative options are:  
- Disposable spouts: each spout must be replaced periodically, depending on the type of installation.  
- BIOFIL filtration spouts: these spouts guarantee the bacteriological quality of the water.

- **BIOCLIP removable mixer**  
Mixers and taps that can be completely removed from their bases in order to carry out curative or preventative actions in healthcare establishments. *For more information see page 10.*



Body with smooth interior

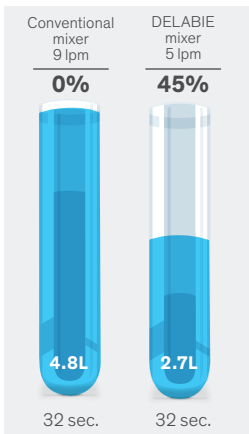
**Body with smooth interior**  
Most mixers and taps have bodies and spouts with rough interiors. As a result, they provide niches where bacteria can adhere. All the internal parts of the body and spout of the majority of DELABIE's mixers/taps are completely smooth, reducing biofilm attachment and making it easier to treat. *For more information see page 10.*



BIOSAFE hygienic outlet

**Low volume of standing water in the body**  
Some DELABIE's mixers have specifically designed interiors that reduce the volume of standing water in the body and thus significantly reduce the risk of bacterial development. In effect, water flows from the inlets to the cartridge via narrow tubes which can only hold a limited volume of water.

**BIOSAFE hygienic outlet**  
Made from Hostaform®, its smooth internal surface provides nowhere for impurities or scale to adhere, reducing the emergence and spread of bacteria and germs in damp conditions. It can only be installed on a mixer or tap that already has a restricted flow rate to ensure a good flow with no splashing. *For more information see pages 96-97.*



Water savings per use

**ANTI-SCALDING SAFETY**

**Maximum temperature limiter**

All DELABIE's mixers are supplied with a pre-set maximum temperature limiter. The user cannot increase the temperature above the maximum set temperature, reducing the risk of scalding.

**COMFORT**

**Temperature stability**

Unlike conventional mechanical washbasin mixers, the majority of DELABIE's mixers are fitted with an exclusive solution which effectively reduces temperature variations if there are pressure variations in the system.

However, these mixers do not have the precision of SECURITHERM thermostatic or EP mixers and they are not fitted with an anti-scalding safety (Hot Water shut-off if the Cold Water supply fails). They provide an intermediate economic solution.

**Reduced risk of Hot Water/Cold Water cross flow**

On the new generation of DELABIE's mechanical mixers, the hot water can only flow back into the cold water supply (or vice versa) if the pressure differential between the inlets is greater than 1 bar. Therefore, the risk of cross flow between the Hot Water and Cold Water is very small, unlike other mixers. As a result, the risk of bacterial proliferation is reduced. Moreover, this solution removes the need for non-return valves to be installed.

**45% WATER AND ENERGY SAVINGS**

The majority of DELABIE's mechanical basin mixers are fitted with a flow rate limiter set at 5 lpm at 3 bar. As such water consumption is significantly reduced while ensuring optimal user comfort. *For more information see page 15.*

**ERGONOMIC  
CONTROL LEVER**  
Easy to grip

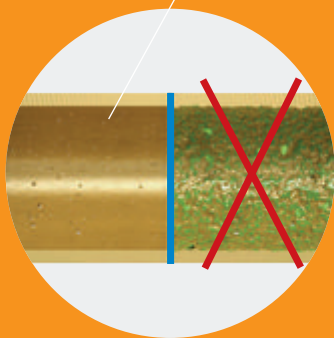
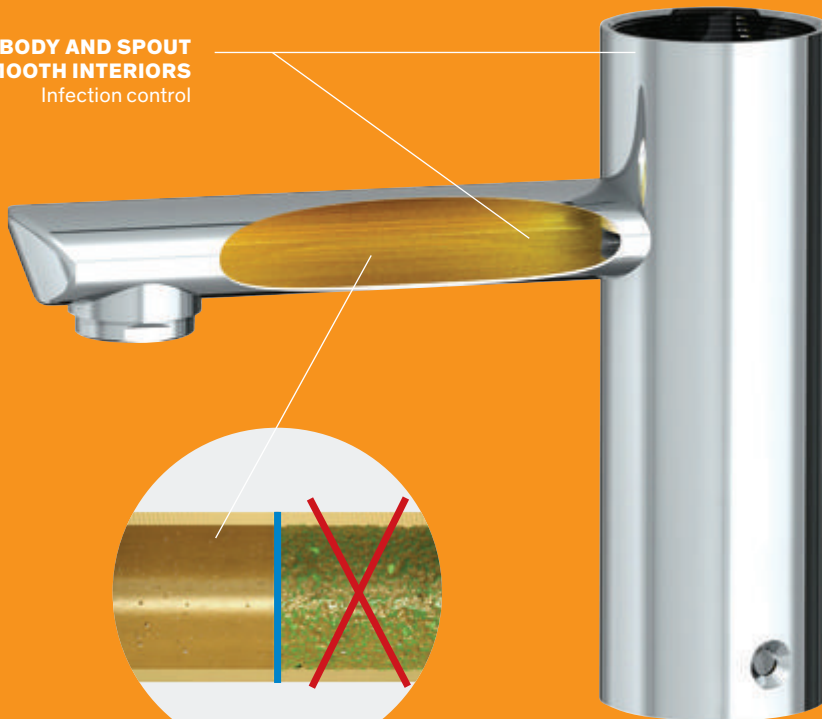


**MAXIMUM  
TEMPERATURE LIMITER**  
Anti-scalding safety



**CARTRIDGE AND BODY  
WITH LOW WATER  
VOLUME**  
Infection control

**BODY AND SPOUT  
WITH SMOOTH INTERIORS**  
Infection control



**REMOVABLE  
BIOCLIP MIXER**  
Mixer is easy  
to clean/disinfect





## 2620: MULTIPLE DEMANDS, A UNIQUE CONCEPT



### The mixer that meets all the patients' needs

#### BIOSAFE: INFECTION CONTROL

The 2620 mixer range benefits from a whole range of BIOSAFE solutions:

##### Very low water volume in the body

This mixer has been specifically designed to reduce the volume of standing water in the body to a minimum.

Comparison of standing water volumes in mixer bodies:	
Conventional mixer	2620 mixer
	 Water volume is significantly reduced

Smaller water passages and the absence of a spout mean that the volume of water in the body of the 2620 mixer is significantly reduced and, as such, bacterial proliferation is also reduced.

##### BIOSAFE outlet integrated into the mixer body

The BIOSAFE outlet is integrated directly into the mixer body. This design, with no spout, eliminates the area that is highly susceptible to bacterial development. This BIOSAFE outlet is made from Hostaform®, its smooth internal surface provides nowhere for impurities or scale to adhere, reducing the emergence and spread of bacteria and germs in damp conditions.

For more information see pages 96-97.

##### No contact with chrome, nickel or lead

The internal design of the 2620 mixer prevents the water from coming into contact with chrome, nickel or lead. Therefore, the water delivered is safer and purer.

#### MODERN DESIGN

The sleek lines of this mixer with no spout create a contemporary design without neglecting user comfort. The simple shape of the mixer reduces the build-up of dirt and facilitates cleaning, the fundamentals of hygiene.

#### ANTI-SCALDING SAFETY

As with all DELABIE's mechanical mixers, the 2620 mixer is fitted with a **maximum temperature limiter**. It also has the following specific advantages:

##### Securitouch technology

The body and mechanism of the 2620 mixer have thermal insulation. Hot water flows from the inlets to the cartridge inside flexibles or copper tails then to the mechanism. This internal design ensures the **absence of hot spots**.

##### Thermal shock safety

The 2620 is **one of the only mechanical mixers on the market allowing thermal shocks at the temperature of the Hot Water in the system without removing the control lever or shutting off the Cold Water supply**.

To override the temperature limiter, simply press the little red button behind the control lever. For more information see page 13.

#### WATER AND ENERGY SAVINGS OF 45%

##### Flow rate regulated at 5 lpm

Fitted with a flow rate regulator at 5 lpm, mixers from the 2620 BIOSAFE range enable water consumption to be considerably reduced whilst still ensuring optimal user comfort.

For more information see page 15.

#### AND ALSO...

##### Easy to install

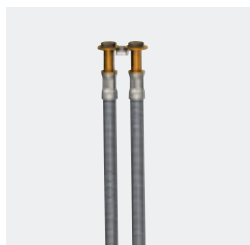
DELABIE has made installation easy by fitting the 2620 mixer range with **flexible hoses** or **copper tails with rotating unions**, preventing any twisting. They can be removed if necessary.



BIOSAFE hygienic outlet



Thermal shock feature



Rotating PEX flexibles or copper tails





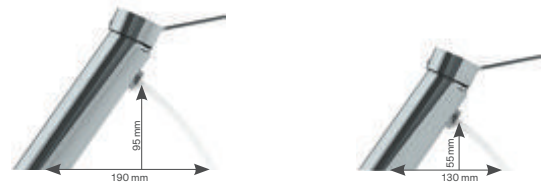
- **BIOSAFE** infection control: body with very low water volume, no spout, integrated BIOSAFE outlet
- **SECURITHERM** anti-scalding safety: maximum temperature limiter
- **SECURITHERM** thermal shock safety without removing the control lever or shutting off the cold water
- **Water savings:** 45%

**BIOSAFE for basins H. 95mm or MINI H. 55mm**

Mechanical mixer with no spout



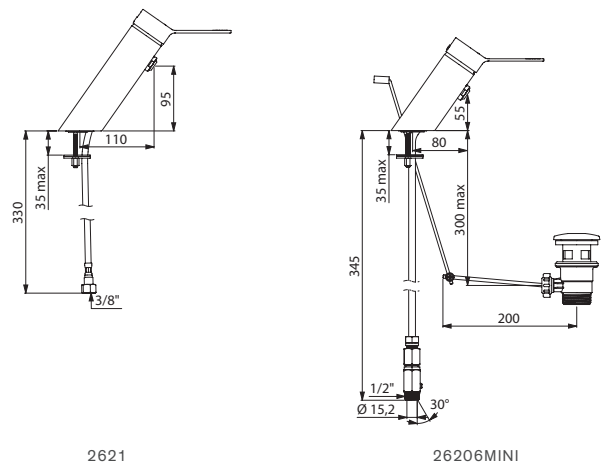
- Mixer with BIOSAFE hygienic outlet integrated into the body.
- Ø 35mm ceramic cartridge.
- Securitouch thermal insulation prevents burns.
- Pre-set maximum temperature limiter.
- Thermal shocks are possible without removing the control lever or shutting off the CW supply.
- Body with very low water volume (reduces bacterial development).
- Flow rate regulated at 5 lpm.
- Solid control lever.
- Rotating PEX flexibles F<sup>3/8</sup>" or copper tails.
- Fixing reinforced via 2 stainless steel rods.



Also available with pressure-balancing cartridge (see page 65)

<b>BIOSAFE basin mixer</b>	
<b>H. 95mm L. 110mm with PEX flexibles</b>	
With ergonomic pop-up waste 1¼" in brass	<b>2620</b>
Without pop-up waste	<b>2621</b>
<b>H. 55mm L. 80mm with PEX flexibles</b>	
With ergonomic pop-up waste 1¼" in polypropylene	<b>2620MINI</b>
Without pop-up waste	<b>2621MINI</b>
<b>H. 95mm L. 110mm with copper tails</b>	
With ergonomic pop-up waste 1¼" in brass	<b>26206</b>
Without pop-up waste	<b>26216</b>
<b>H. 55mm L. 80mm with copper tails</b>	
With ergonomic pop-up waste 1¼" in polypropylene	<b>26206MINI</b>
Without pop-up waste	<b>26216MINI</b>

**Option:** wastes for models without pop-up wastes (see page 91)



## DELABIE / Deck-mounted mixers with ceramic cartridges



- **BIOSAFE** infection control: body and spout with smooth interiors and low water volume
- **BIOSAFE**: fewer components in contact with water, reduces bacterial development
- **Anti-scalding safety**: maximum temperature limiter
- **Water savings**: 45%

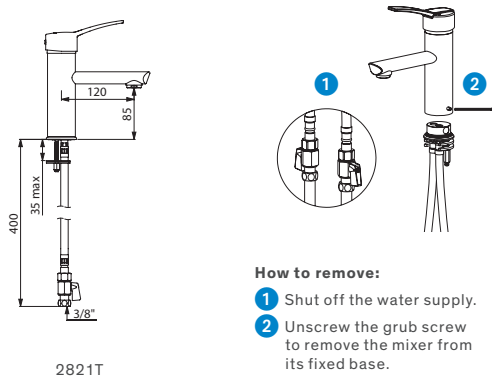
### BIOCLIP basin mixer H. 85mm

Removable mechanical mixer, smooth interior



- **Can be removed entirely** for cleaning/disinfection (see page 10).
- Straight spout **H. 85mm L. 120mm** with hygienic flow straightener.
- Ø 40mm ceramic cartridge.
- Pre-set maximum **temperature limiter**.
- **Body and spout with smooth interiors and low water volume** (reduces bacterial development).
- **Flow rate limited to 5 lpm** at 3 bar.
- PEX flexibles F $\frac{3}{8}$ ".
- Fixing reinforced by 2 stainless steel rods.

Also available with pressure-balancing cartridge (see page 66)



BIOCLIP basin mixer H. 85mm L. 120mm	
<b>Solid control lever, with stopcocks</b>	
With ergonomic pop-up waste 1¼" in brass	<b>2820T</b>
Without pop-up waste	<b>2821T</b>
<b>Solid control lever, without stopcocks</b>	
With ergonomic pop-up waste 1¼" in brass	<b>28201T</b>
Without pop-up waste	<b>28211T</b>
<b>Hygiene control lever L. 150mm, with stopcocks</b>	
With ergonomic pop-up waste 1¼" in brass	<b>2820L</b>
Without pop-up waste	<b>2821L</b>
<b>Hygiene control lever L. 150mm, without stopcocks</b>	
With ergonomic pop-up waste 1¼" in brass	<b>28201L</b>
Without pop-up waste	<b>28211L</b>

**Options:** wastes for models without pop-up wastes (see page 91)  
Copper tails (see page 93)

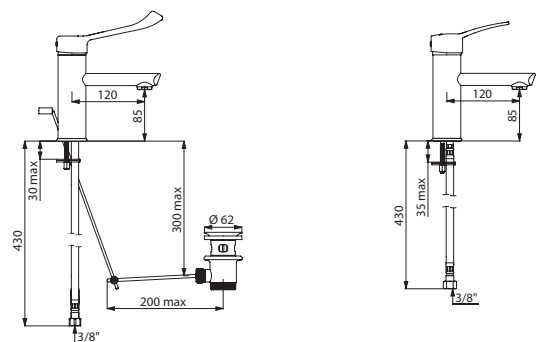
### Basin mixer H. 85mm

Mechanical mixer, smooth interior



- Straight spout **H. 85mm L. 120mm** with hygienic flow straightener.
- Ø 40mm ceramic cartridge.
- Pre-set maximum **temperature limiter**.
- **Body and spout with smooth interiors and low water volume** (reduces bacterial development).
- **Flow rate limited to 5 lpm** at 3 bar.
- PEX flexibles F $\frac{3}{8}$ ".
- Fixing reinforced by 2 stainless steel rods.

Also available with pressure-balancing cartridge (see page 66)



Basin mixer H. 85mm L. 120mm	
<b>Solid control lever</b>	
With ergonomic pop-up waste, 1¼" in brass	<b>2720T</b>
Without pop-up waste	<b>2721T</b>
<b>Hygiene control lever L. 150mm</b>	
With ergonomic pop-up waste, 1¼" in brass	<b>2720L</b>
Without pop-up waste	<b>2721L</b>

**Options:** wastes for models without pop-up wastes (see page 91)  
Copper tails (see page 93)



- **Anti-scalding safety:** maximum temperature limiter
- **Water savings:** 45%

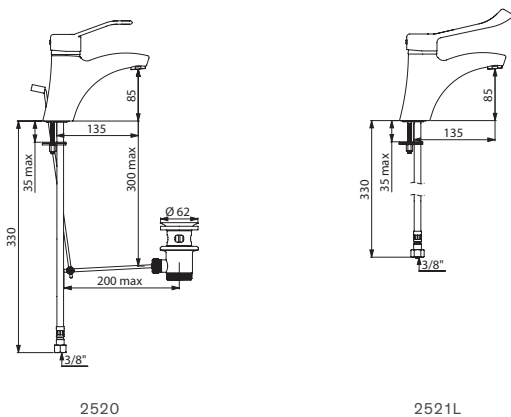
### Basin mixer H. 85mm

Mechanical mixer



- Spout **H. 85mm L. 135mm** with **BIOSAFE hygienic outlet** (see page 97).
- Ø 40mm ceramic cartridge.
- Pre-set maximum **temperature limiter**.
- **Flow rate limited to 5 lpm** at 3 bar.
- PEX flexibles F $\frac{3}{8}$ ".
- Fixing reinforced by 2 stainless steel rods.

Also available with pressure-balancing cartridge (see page 67)



2520

2521L

#### Basin mixer H. 85mm L. 135mm

##### Sculptured control lever

With ergonomic pop-up waste, 1 $\frac{1}{4}$ " in brass	<b>2520</b>
Without pop-up waste	<b>2521</b>

##### Solid control lever

With ergonomic pop-up waste, 1 $\frac{1}{4}$ " in brass	<b>2520T</b>
Without pop-up waste	<b>2521T</b>

##### Hygiene control lever L. 150mm

With ergonomic pop-up waste, 1 $\frac{1}{4}$ " in brass	<b>2520L</b>
Without pop-up waste	<b>2521L</b>

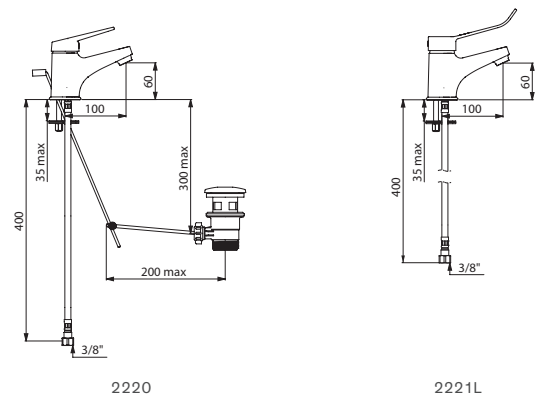
**Options:** wastes for models without pop-up wastes (see page 91)  
Copper tails (see page 93)

### Basin mixer H. 60mm

Mechanical mixer



- Spout **H. 60mm L. 100mm** with hygienic flow straightener.
- Ø 35mm ceramic cartridge.
- Pre-set maximum **temperature limiter**.
- **Flow rate regulated at 5 lpm**.
- PEX flexibles F $\frac{3}{8}$ ".
- Reinforced fixing.



2220

2221L

#### Basin mixer H. 60mm L. 100mm

##### Sculptured control lever

With ergonomic pop-up waste 1 $\frac{1}{4}$ " in polypropylene	<b>2220</b>
Without pop-up waste	<b>2221</b>

##### Hygiene control lever L. 120mm

With ergonomic pop-up waste 1 $\frac{1}{4}$ " in polypropylene	<b>2220L</b>
Without pop-up waste	<b>2221L</b>

**Options:** wastes for models without pop-up wastes (see page 91)  
Copper tails (see page 93)



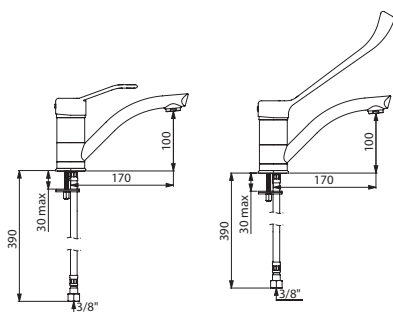
- **BIOSAFE** infection control: body and spout with smooth interiors
- **Anti-scalding safety**: maximum temperature limiter
- **Comfort**: optimised drop height and spout length for hand washing and personal washing

## Basin mixer H. 100mm

Mechanical mixer, smooth interior



- **Swivelling spout H. 100mm L. 170mm** with hygienic flow straightener.
- Ø 40mm ceramic cartridge.
- Pre-set maximum **temperature limiter**.
- **Body and spout with smooth interiors.**
- **Flow rate limited to 5 lpm** at 3 bar.
- PEX flexibles F $\frac{3}{8}$ ".
- Fixing reinforced by 2 stainless steel rods.



2522

2522L

### Basin mixer H. 100mm L. 170mm

Sculptured control lever	<b>2522</b>
Solid control lever	<b>2522T</b>
Hygiene control lever L. 200mm	<b>2522L</b>

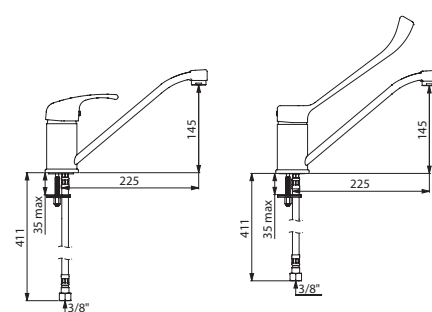
**Options:** wastes (see page 91)  
Copper tails (see page 93)

## Sink or trough mixer H. 145mm

Mechanical mixer, smooth interior



- **Swivelling spout H. 145mm L. 225mm** with hygienic flow straightener.
- Ø 40mm ceramic cartridge.
- Pre-set maximum **temperature limiter**.
- **Body and spout with smooth interiors.**
- **Flow rate limited to 9 lpm** at 3 bar.
- PEX flexibles F $\frac{3}{8}$ ".
- Fixing reinforced by 2 stainless steel rods.



2210

2210L

### Sink/trough mixer H. 145mm L. 225mm

Sculptured control lever	<b>2210</b>
Hygiene control lever L. 200mm	<b>2210L</b>

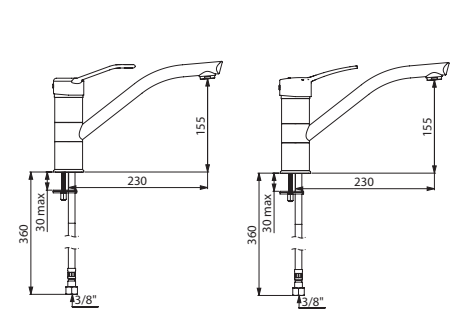
**Options:** wastes (see page 91)  
Copper tails (see page 93)

## Sink or trough mixer H. 155mm

Mechanical mixer, smooth interior



- **Swivelling spout H. 155mm L. 230mm** with hygienic flow straightener.
- Ø 40mm ceramic cartridge.
- Pre-set maximum **temperature limiter**.
- **Body and spout with smooth interiors.**
- **Flow rate limited to 9 lpm** at 3 bar.
- PEX flexibles F $\frac{3}{8}$ ".
- Fixing reinforced by 2 stainless steel rods.



2510

2510T

### Sink/trough mixer H. 155mm L. 230mm

Sculptured control lever	<b>2510</b>
Solid control lever	<b>2510T</b>
Hygiene control lever L. 200mm	<b>2510L</b>

**Options:** wastes (see page 91)  
Copper tails (see page 93)

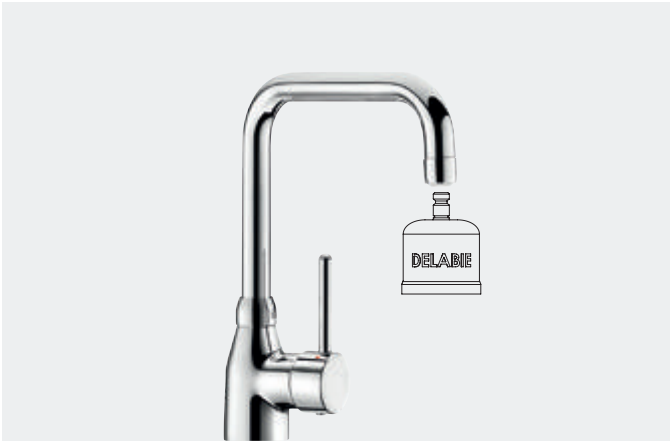




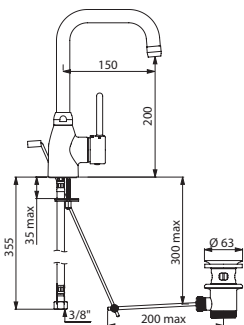
- **BIOSAFE** infection control: spout with smooth interior
- **Comfort**: optimised drop height and spout length for hand washing and personal washing

### Basin mixer H. 200mm L. 150mm

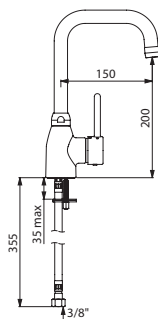
Mechanical mixer, spout with smooth interior



- Swivelling, tubular spout Ø 22mm, H. 200mm L. 150mm with BIOSAFE hygienic outlet (see page 97).
- High spout suitable for fitting a BIOFIL terminal filter (see page 26).
- Ø 35mm ceramic cartridge.
- Spout with smooth interior.
- Flow rate limited to 5 lpm at 3 bar.
- Slimline control lever.
- PEX flexibles F $\frac{3}{8}$ ".
- Fixing reinforced by 2 stainless steel rods.



2506T1



25061T1

#### Basin mixer H. 200mm L. 150mm

With ergonomic pop-up waste, 1 $\frac{1}{4}$ " in brass	<b>2506T1</b>
Without pop-up waste	<b>25061T1</b>

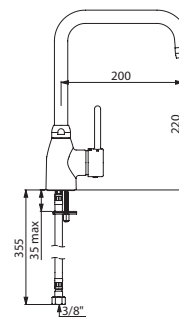
**Options:** BIOFIL cartridge filters (see page 26)  
Wastes for models without pop-up wastes (see page 91), copper tails (see page 93)

### Sink or trough mixer H. 220mm L. 200mm

Mechanical mixer, spout with smooth interior



- Swivelling, tubular spout Ø 22mm, H. 220mm L. 200mm with hygienic flow straightener (see page 97).
- High spout suitable for fitting a BIOFIL terminal filter (see page 26).
- Ø 35mm ceramic cartridge.
- Spout with smooth interior.
- Flow rate limited to 9 lpm at 3 bar.
- Slimline control lever.
- PEX flexibles F $\frac{3}{8}$ ".
- Fixing reinforced by 2 stainless steel rods.



2506T2

<b>Sink or trough mixer H. 220mm L. 200mm</b>	<b>2506T2</b>
---	---------------

**Options:** BIOFIL cartridge filters (see page 26), wastes (see page 91)  
Copper tails (see page 93)



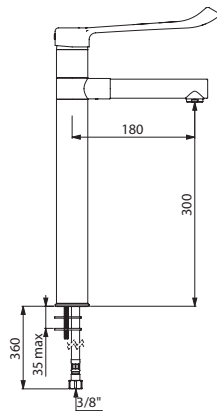
- **BIOSAFE** infection control: body and spout with smooth interiors
- **Removable spout:** area susceptible to bacterial development, mixer spouts should be cleaned regularly.  
The stainless steel spout supplied with the mixer can be changed or replaced by a BIOFIL filter spout or disposable spout
- **Anti-scalding safety:** maximum temperature limiter

**Mixer for basins/sinks with swivelling BIOCLIP spout**

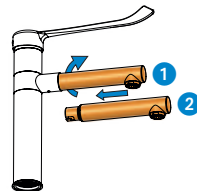
Mechanical mixer with removable spout, smooth interior



- **High, removable swivelling spout** with star-shaped flow straightener.
- Supplied with either 2 removable BIOCLIP stainless steel spouts L. 180mm or 1 disposable Hostaform® spout L. 175mm.  
Can be replaced with a BIOFIL filter spout (see opposite).
- Ø 40mm ceramic cartridge.
- Pre-set maximum **temperature limiter**.
- **Body and spout with smooth interiors** (reduces bacterial development).
- **Flow rate limited to 5 lpm** at 3 bar.
- No manual contact thanks to Hygiene control lever L. 215mm.
- PEX flexibles F3/8".
- Fixing reinforced by 2 stainless steel rods.



2870T3



- To replace a removable spout with a BIOFIL spout:**
- 1 Either pull the disposable spout or turn the stainless steel spout through 90° clockwise and then pull it towards you to remove it.
  - 2 Insert the BIOFIL spout and turn it through 90° anti-clockwise.

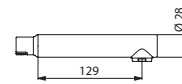
Mixer for basins/sinks with high swivelling BIOCLIP spout	
<b>Spout H. 160mm</b>	
Stainless steel spout L. 180mm	<b>2870T1</b>
Disposable spout L. 175mm	<b>2871T1</b>
<b>Spout H. 300mm</b>	
Stainless steel spout L. 180mm	<b>2870T3</b>
Disposable spout L. 175mm	<b>2871T3</b>
<b>Options:</b> BIOFIL filter spouts (see opposite), wastes (see page 91), copper tails (see page 93)	

**Related products**

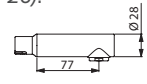


**BIOCLIP stainless steel spouts**

- **Removable spout** for cleaning/disinfection or autoclaving.
- Hygienic flow straightener, suitable for fitting a terminal filter (see BIOFIL cartridges page 26).



20002



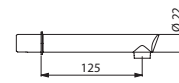
20003

2 removable stainless steel spouts Ø 28mm	
L. 129mm	<b>20002</b>
L. 77mm	<b>20003</b>



**BIOCLIP disposable spouts**

- **Removable, disposable spout** made from recyclable Hostaform® with star-shaped flow straightener.



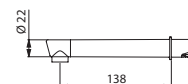
20015

15 removable, disposable spouts L. 125mm, Ø 22mm	
	<b>20015</b>



**BIOCLIP BIOFIL spouts**

- **Removable spout with integrated anti-bacterial filter.**
- Single use, sterilising grade 0.1µm absolute-rated.
- Compatible with and resistant to chemical and thermal shocks in the water system (for more information see page 25).



20040.10P/30040.10P

10 filter spouts L. 138mm, Ø 22mm	
Sterile CE, 62 days	<b>20040.10P</b>
Non-sterile CE, 62 days	<b>30040.10P</b>



- **BIOSAFE** infection control: body and spout with smooth interiors
- **Anti-scalding safety**: maximum temperature limiter
- **Comfort**: optimised drop height and spout length for hand washing

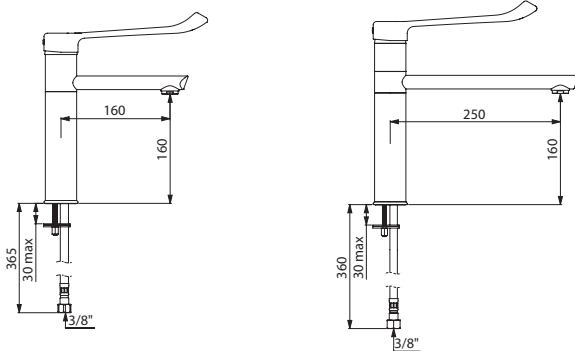
### Basin mixer with high spout H. 160mm

Mechanical mixer, smooth interior



- **High spout H. 160mm** with hygienic flow straightener suitable for fitting a **BIOFIL terminal filter** (see page 26).
- Ø 40mm ceramic cartridge.
- Pre-set maximum **temperature limiter**.
- **Body and spout with smooth interiors** (reduces bacterial development).
- **Flow rate limited to 5 lpm** at 3 bar.
- Chrome-plated body, base and spout.
- No manual contact thanks to Hygiene control lever L. 215mm.
- PEX flexibles F $\frac{3}{8}$ ".
- Fixing reinforced by 2 stainless steel rods.

2565T1 also available with pressure-balancing cartridge (see page 67)



2565T1

2564T2

#### Basin mixer with high spout H. 160mm

Fixed spout L. 160mm	<b>2565T1</b>
Swivelling spout L. 160mm	<b>2564T1</b>
Swivelling spout L. 250mm	<b>2564T2</b>

**Options:** BIOFIL cartridge filters (see page 26), wastes (see page 91)

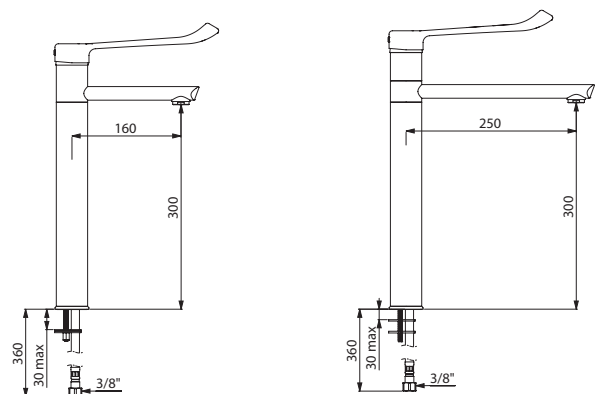
### Mixer for sinks/troughs with high spout H. 300mm

Mechanical mixer, smooth interior



- **High spout H. 300mm** with hygienic flow straightener suitable for fitting a **BIOFIL terminal filter** (see page 26).
- Ø 40mm ceramic cartridge.
- Pre-set maximum **temperature limiter**.
- **Body and spout with smooth interiors** (reduces bacterial development).
- **Flow rate limited to 9 lpm** at 3 bar.
- Chrome-plated body, base and spout.
- No manual contact thanks to Hygiene control lever L. 215mm.
- PEX flexibles F $\frac{3}{8}$ ".
- Fixing reinforced by 2 stainless steel rods.

2565T3 also available with pressure-balancing cartridge (see page 67)



2565T3

2564T4

#### Mixer for sinks or troughs with high spout H. 300mm

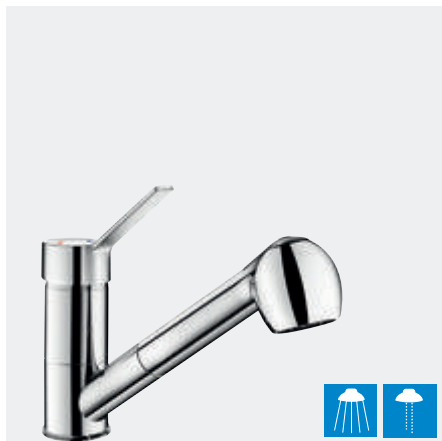
Fixed spout L. 160mm	<b>2565T3</b>
Swivelling spout L. 160mm	<b>2564T3</b>
Swivelling spout L. 250mm	<b>2564T4</b>

**Options:** BIOFIL cartridge filters (see page 26), wastes (see page 91)



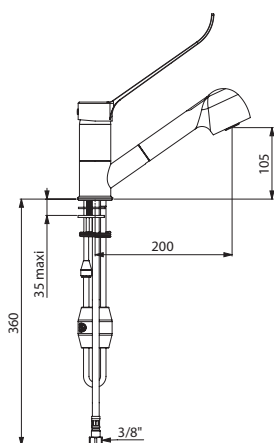
- **BIOSAFE** infection control: transparent flexible hose allows visual checks to ensure that the interior is not contaminated with biofilm; flexible hose has a smooth interior and low water volume (except ref. 2597)
- **Comfort**: retracting hand spray with 2 jet options: flow straightener/rain effect; swivelling spout
- **Ergonomics**: control levers are easy to grip

**Basin mixer with retracting hand spray H. 105mm L. 200mm**



- Swivelling spout **H. 105mm L. 200mm**.
- Retracting hand spray with 2 jet options: flow straightener/rain effect.
- Ø 40mm ceramic cartridge.
- Pre-set maximum **temperature limiter**.
- **Body with smooth interior**.
- **Flow rate limited to 7 lpm** at 3 bar.
- Mixed water brass outlet L. 105mm.
- **BIOSAFE flexible shower hose reduces bacterial proliferation**: transparent polyurethane, smooth interior and exterior, low water volume (interior Ø 6mm). Specific counterweight.
- PEX flexibles F $\frac{3}{8}$ ".
- Fixing reinforced by 2 stainless steel rods.

Models also available with pressure-balancing cartridge (see page 68)



2211L

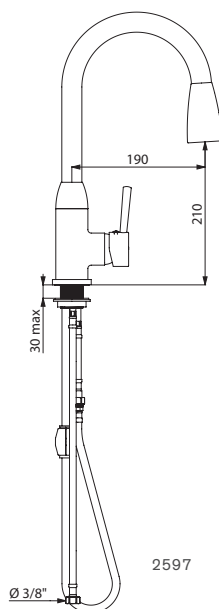
Mixer with retracting hand spray H. 105mm L. 200mm	
Solid control lever	<b>2211</b>
Hygiene control lever L. 175mm	<b>2211L</b>

**Options:** wastes (see page 91), BIOFIL hand spray filters (see page 27), copper tails (see page 93)

**Basin mixer with retracting hand spray H. 210mm L. 190mm**



- Swivelling swan neck spout **H. 210mm L. 190mm**.
- Retracting hand spray with 2 jet options: flow straightener/rain effect.
- Ø 40mm ceramic cartridge.
- Pre-set maximum **temperature limiter**.
- **Flow rate 5 lpm** at 3 bar.
- Slimline control lever.
- Mixed water brass outlet L. 105mm.
- Hand spray with Nylon flexible hose with non-return valve.
- PEX flexibles F $\frac{3}{8}$ ".
- Fixing reinforced.



2597

Mixer with retracting hand spray H. 210mm L. 190mm	
	<b>2597</b>

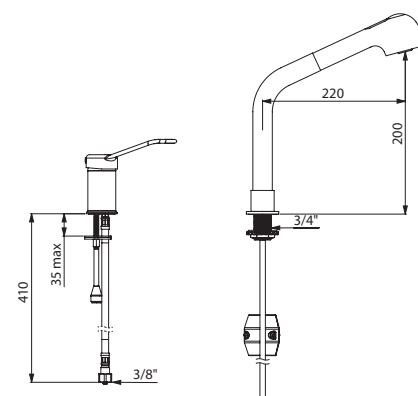
**Options:** wastes (see page 91), flexible hose for hand sprays (see page 151), copper tails (see page 93)

**Basin/sink mixer set, retracting hand spray H. 200mm L. 220mm**



- Swivelling column **H. 200mm L. 220mm**.
- Retracting hand spray with 2 jet options: flow straightener/rain effect.
- **Ø 35mm** ceramic cartridge.
- Pre-set maximum **temperature limiter**.
- **Mixer body and column with smooth interiors**.
- **Flow rate limited to 7 lpm** at 3 bar.
- Sculptured control lever.
- Mixed water brass outlet L. 160mm.
- **BIOSAFE flexible shower hose reduces bacterial proliferation**: transparent polyurethane, smooth interior and exterior, low water volume (interior Ø 6mm). Specific counterweight.
- PEX flexibles F $\frac{3}{8}$ ".
- Fixing reinforced by 2 stainless steel rods.

Models also available with pressure-balancing cartridge (see page 68)



2599

Controls with retracting hand spray H. 200mm L. 220mm	
Mixer and column	<b>2599</b>
Mixer only	<b>2542</b>
Column only	<b>1316</b>

**Options:** wastes (see page 91), BIOFIL hand spray filters (see page 27), copper tails (see page 93)

**ERGONOMIC, SOLID CONTROL LEVER**  
Easy to grip

**RETRACTING HAND SPRAY**  
**2 JET OPTIONS**  
Comfortable to use

**MAXIMUM TEMPERATURE LIMITER**  
Anti-scalding safety

**CARTRIDGE AND FLEXIBLE HOSE WITH LOW WATER VOLUME**  
Infection control

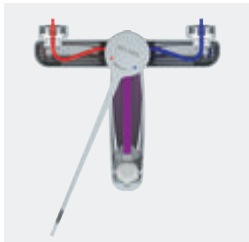
**FIXINGS REINFORCED**  
Robust

**BIOSAFE TRANSPARENT FLEXIBLE HOSE WITH SMOOTH INTERIOR**  
Infection control

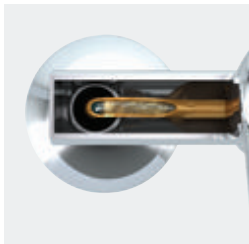
**SWIVELLING SPOUT**  
Comfortable to use



Sequential open and closing



Very low water volume



Securitouch technology: tube insulated from the mixer body



## SEQUENTIAL WALL-MOUNTED MECHANICAL MIXER

### SEQUENTIAL OPEN AND CLOSING ON COLD WATER

#### Improved ergonomics and functionality

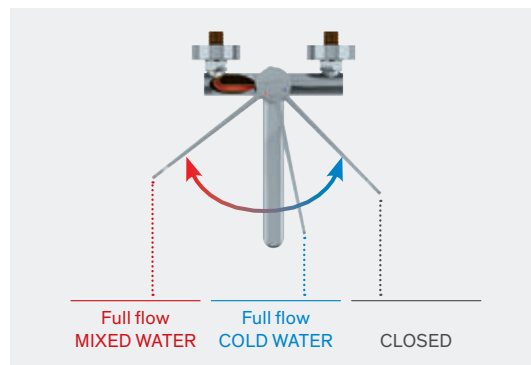
The latest generation of wall-mounted mechanical mixers with a ceramic cartridge is sequential: opening and temperature adjustment are controlled with the same lateral movement over a 70° to 90° turning range depending on the chosen model.

#### Opens and closes on cold water

The new sequential mechanical wall-mounted mixers open and close on cold water for increased anti-scalding safety.

#### Cold water

Opening with cold water, without any passage of hot water, ensures the supply of only cold water if required (exclusive to DELABIE).



Sequential open and closing

### BIOSAFE: INFECTION CONTROL

#### Low volume of standing water in the body

DELABIE's new sequential mixers have specifically designed interiors that reduce the volume of standing water in the body and, thus significantly, reduce the risk of bacterial development. In effect, water flows from the inlets to the cartridge via narrow tubes which can only hold a limited volume of water.

#### No contact with chrome, nickel or lead

The internal design of the 2640 mixer prevents the water from coming into contact with chrome, nickel or lead. Therefore, the water delivered is safer and purer.

### ANTI-SCALDING SAFETY

#### Maximum temperature limiter

These mixers are supplied with a pre-set maximum temperature limiter. The user cannot increase the temperature above the maximum set temperature, reducing the risk of scalding.

#### Thermal shock safety

The new sequential wall-mounted 2640 allows thermal shocks at the temperature of the Hot Water in the system without removing the control lever or shutting off the Cold Water supply.

To override the temperature limiter, simply press the little red button behind the control lever. For more information see page 13.

#### Securitouch technology

The body of these new mixers has a thermal insulation, reducing any risk of burns. Hot water flows from the inlets to the cartridge inside narrow copper tubes and is, therefore, never in contact with the walls of the mixer.

### COMFORT AND ERGONOMICS

**Optimised hand washing and personal washing** thanks to a large drop height and increased spout length.

#### Ergonomic controls

The Hygiene control lever enables control without manual contact using the wrist, the forearm or the elbow.

#### Swivelling or fixed spout

Length and type of spout suitable for different uses in hospital settings (hand washing, rinsing equipment, filling buckets...).

#### Intuitive identification

Clear visual identification of Hot and Cold Water on the lever.

### 45% WATER AND ENERGY SAVINGS

#### Flow rate 4 or 5 lpm

These wall-mounted mixers enable a significant reduction in water consumption whilst ensuring optimal user comfort.

For more information see page 15.



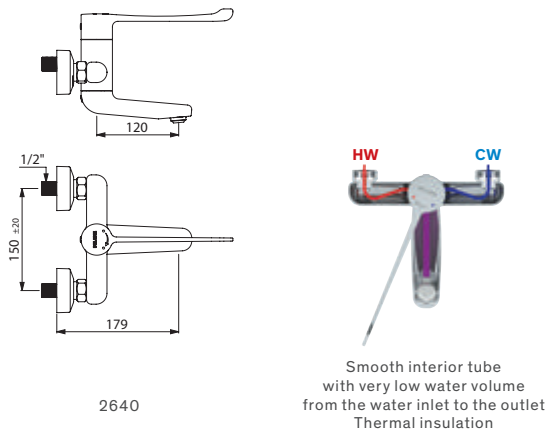
- **BIOSAFE** infection control: low volume of standing water in the body
- **BIOSAFE** fewer components in contact with water, reduces bacterial development
- **Anti-scalding safety**: sequential open and closing on cold water, pre-set maximum temperature limiter
- **Ergonomics**: Hygiene control lever is easy to grip

### Wall-mounted Securitouch mixer for basins

Sequential mechanical mixer with tubes, smooth interior



- **Sequential 70°**: open and closing on cold water.
- **Swivelling under spout** with **BIOSAFE hygienic outlet suitable for fitting a BIOFIL terminal filter** (see page 26).
- Spout can be fixed in place easily.
- **Securitouch thermal insulation prevents burns.**
- **Ø 35mm ceramic cartridge.**
- Pre-set maximum **temperature limiter.**
- **Body and spout with tubes with smooth interiors and very low water volume** (reduces bacterial development).
- **Thermal shocks are possible** without removing the control lever or shutting off the CW supply.
- **Flow rate 4 lpm** at 3 bar.
- Hygiene control lever L. 200mm.
- Supplied with 2 offset wall connectors M $\frac{1}{2}$ " M $\frac{3}{4}$ " (see page 92).



2640

Provisional availability 1<sup>st</sup> half 2020.

Please contact sales office to check availability.

Securitouch sequential mechanical wall-mounted basin mixer	
<b>Swivelling/ fixed spout L. 120mm</b>	
STOP/CHECK connectors	<b>2640</b>
Standard connectors	<b>2640S</b>
<b>Swivelling/ fixed spout L. 200mm</b>	
STOP/CHECK connectors	<b>2641</b>
Standard connectors	<b>2641S</b>

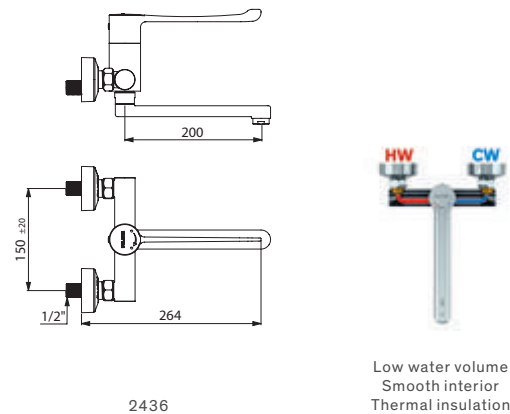
**Options:** BIOFIL cartridge filters (see page 26), wastes (see page 91)

### Wall-mounted Securitouch mixer for basins

Sequential mechanical mixer, smooth interior



- **Sequential 90°**: open and closing on cold water.
- **Flat, swivelling under spout** L. 200mm with hygienic flow straightener suitable for fitting a **BIOFIL terminal filter** (see page 26).
- **Securitouch thermal insulation prevents burns.**
- **Ø 35mm ceramic cartridge.**
- Pre-set maximum **temperature limiter.**
- **Body and spout with smooth interiors and low water volume** (reduces bacterial development).
- **Flow rate limited to 5 lpm** at 3 bar.
- Hygiene control lever L. 200mm.
- Supplied with 2 wall connectors M $\frac{1}{2}$ " M $\frac{3}{4}$ " (see page 92).



2436

Low water volume  
Smooth interior  
Thermal insulation

Securitouch sequential mechanical wall-mounted basin mixer	
<b>Swivelling spout</b>	
Offset STOP/CHECK connectors	<b>2436</b>
In-line STOP/CHECK connectors	<b>2436P</b>
Offset standard connectors	<b>2436S</b>
<b>Fixed spout</b>	
Offset STOP/CHECK connectors	<b>2437</b>
Offset standard connectors	<b>2437S</b>

**Options:** BIOFIL cartridge filters (see page 26), wastes (see page 91)



- **BIOSAFE** infection control: body and spout with smooth interiors and low water volume
- **BIOSAFE** fewer components in contact with water, reduces bacterial development
- **Anti-scalding safety:** thermal insulation, maximum temperature limiter
- **Ergonomics:** Hygiene control lever or sculptured control lever is easy to grip

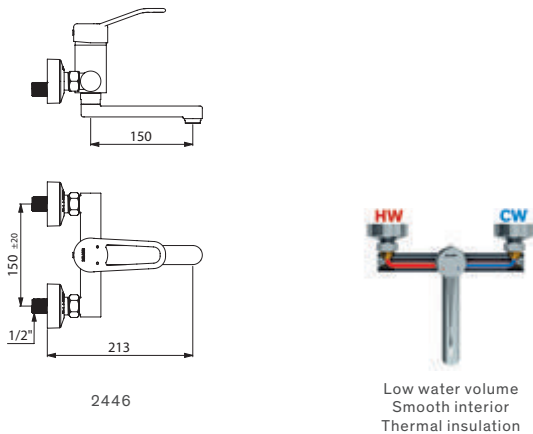
**Securitouch wall-mounted mixer for basins**

Mechanical mixer with thermal insulation, spout L. 150mm



- **Flat, swivelling under spout L. 150mm** with hygienic flow straightener suitable for fitting a BIOFIL terminal filter (see page 26).
- **Securitouch thermal insulation prevents burns.**
- Ø 40mm ceramic cartridge.
- Pre-set maximum **temperature limiter.**
- **Body and spout with smooth interiors and low water volume** (reduces bacterial development).
- **Flow rate regulated at 5 lpm.**
- Supplied with 2 wall connectors M $\frac{1}{2}$ " M $\frac{3}{4}$ " (see page 92).

Also available with pressure-balancing cartridge (see page 69)



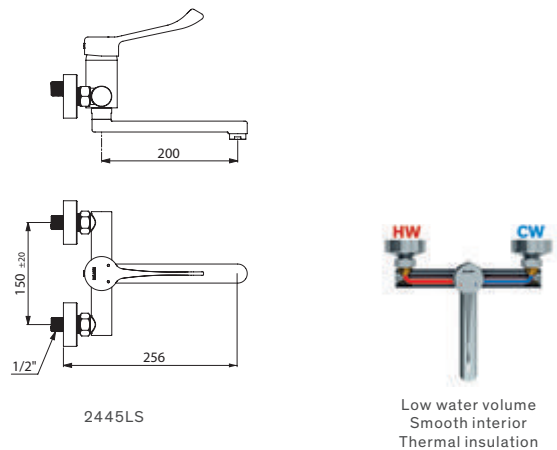
**Securitouch wall-mounted mixer for basins**

Mechanical mixer with thermal insulation, spout L. 200mm



- **Flat, swivelling under spout L. 200mm** with hygienic flow straightener suitable for fitting a BIOFIL terminal filter (see page 26).
- **Securitouch thermal insulation prevents burns.**
- Ø 40mm ceramic cartridge.
- Pre-set maximum **temperature limiter.**
- **Body and spout with smooth interiors and low water volume** (reduces bacterial development).
- **Flow rate regulated at 5 lpm.**
- Supplied with 2 offset wall connectors M $\frac{1}{2}$ " M $\frac{3}{4}$ " (see page 92).

Also available with pressure-balancing cartridge (see page 69)



Securitouch wall-mounted basin mixer with swivelling spout L. 150mm	
<b>Sculptured control lever</b>	
Offset STOP/CHECK connectors, 150mm centres	<b>2446</b>
Offset standard connectors, 150mm centres	<b>2446S</b>
<b>Hygiene control lever L. 150mm</b>	
In-line STOP/CHECK connectors, 200mm centres	<b>2447LUK</b>
Offset STOP/CHECK connectors, 150mm centres	<b>2446L</b>
Offset standard connectors, 150mm centres	<b>2446LS</b>
<b>Options:</b> BIOFIL cartridge filters (see page 26), wastes (see page 91)	

Securitouch wall-mounted basin mixer with swivelling spout L. 200mm	
<b>Sculptured control lever</b>	
STOP/CHECK connectors	<b>2445</b>
Standard connectors	<b>2445S</b>
<b>Hygiene control lever L. 150mm</b>	
STOP/CHECK connectors	<b>2445L</b>
Standard connectors	<b>2445LS</b>
<b>Options:</b> BIOFIL cartridge filters (see page 26), wastes (see page 91)	





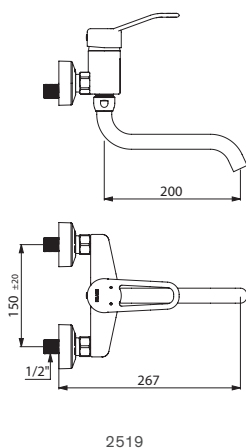
- **BIOSAFE** infection control: spout with smooth interior and low water volume, reduces bacterial development

### Wall-mounted sink mixer

Mechanical mixer, spout with smooth interior



- **Swivelling, tubular under spout L. 200mm**, Ø 22mm with brass, star-shaped flow straightener.
- Ø 40mm ceramic cartridge.
- Pre-set maximum **temperature limiter**.
- **Spout with smooth interior** (reduces bacterial development).
- **Flow rate 26 lpm** at 3 bar.
- Supplied with 2 offset wall connectors M $\frac{1}{2}$ " M $\frac{3}{4}$ " (see page 92).



2519

#### Wall-mounted sink mixer

##### Sculptured control lever

STOP/CHECK connectors	<b>2519</b>
Standard connectors	<b>2519S</b>

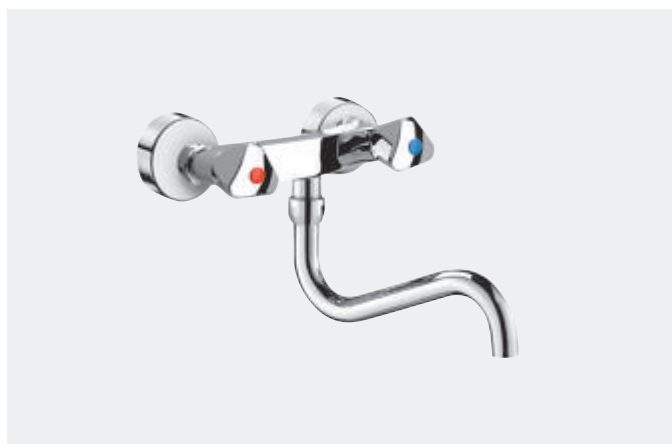
##### Hygiene control lever L. 150mm

STOP/CHECK connectors	<b>2519L</b>
Standard connectors	<b>2519LS</b>

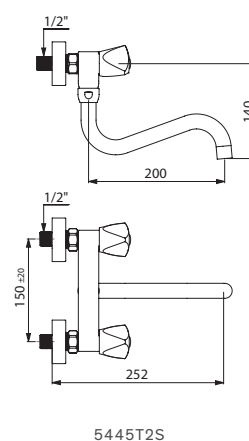
**Option:** wastes (see page 91)

### Wall-mounted sink mixer

Mixer with ceramic valve heads, spout with smooth interior



- **Swivelling, tubular under spout L. 200mm** Ø 22mm with brass, star-shaped flow straightener.
- **Spout with smooth interior** (reduces bacterial development).
- Chrome-plated metallic controls.
- Ceramic valve heads.
- Supplied with 2 offset wall connectors M $\frac{1}{2}$ " M $\frac{3}{4}$ " (see page 92).



5445T2S

<b>Wall-mounted sink mixer</b>	<b>5445T2S</b>
<b>Options:</b> wastes (see page 91), other connectors available (see page 92)	



# Additional fittings for basins and sinks

THERMOSTATIC  
MIXING VALVES  
**90**



WASTES  
AND TRAPS  
**91**



CONNECTORS  
**92**



SOAP  
DISPENSERS  
**94**



SPOUT  
OUTLETS  
**97**



# DELABIE / Thermostatic mixing valves



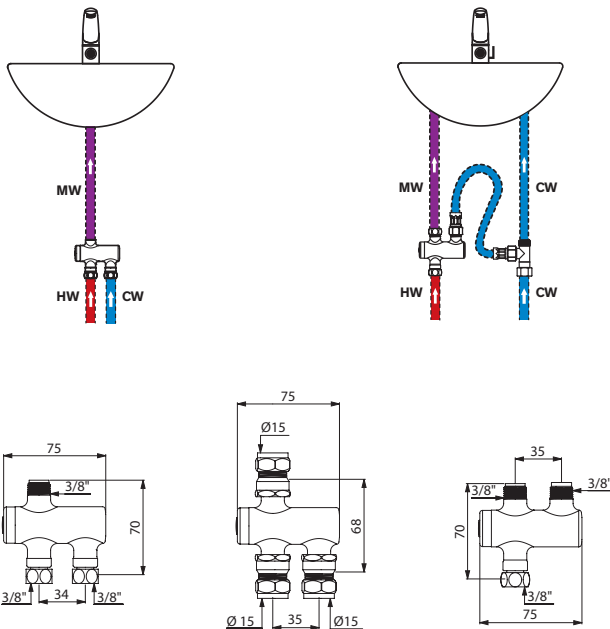
- **Anti-scalding failsafe:** automatic shut-off if cold water supply fails
- **Comfort:** regulates temperature variations for a stable temperature at the point-of-use
- **Installation:** upstream of the taps and valves

## PREMIX NANO

Thermostatic mixing valve with mixed water 34 - 60°C



- **For 1 - 2 taps or 1 shower.**
- **Anti-scalding failsafe:** automatic shut-off if cold or hot water supply fails.
- Temperature pre-set at 38°C, can be adjusted by the installer 34 - 60°C.
- Brass body.
- **Filters and non-return valves.**
- Minimum flow rate to operate: 3 lpm.
- **Thermal shocks are possible.**



732016

732115 / 732116

732216

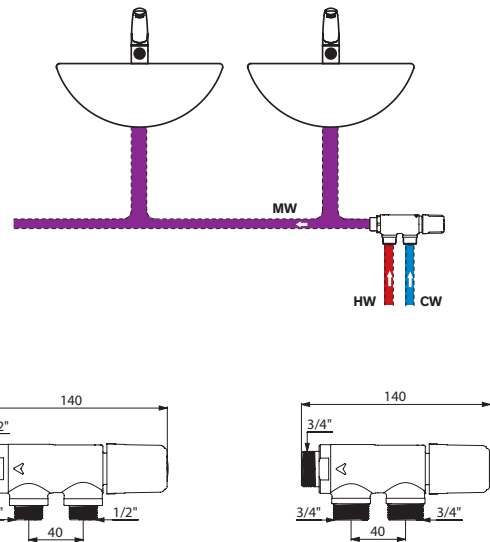
PREMIX NANO	
Nickel-plated body, inlets F $\frac{3}{8}$ " and outlet M $\frac{3}{8}$ "	<b>732012</b>
Polished chrome body, inlets F $\frac{3}{8}$ " and outlet M $\frac{3}{8}$ "	<b>732016</b>
Nickel-plated body M $\frac{1}{2}$ ", 15mm	<b>732115</b>
Polished chrome body M $\frac{1}{2}$ ", 15mm	<b>732116</b>
Polished chrome body, HW inlet F $\frac{3}{8}$ ", CW inlet M $\frac{3}{8}$ ", MW outlet M $\frac{3}{8}$ "	<b>732216</b>
Polished chrome body, HW inlet F $\frac{3}{8}$ ", CW inlet M $\frac{3}{8}$ ", MW outlet M $\frac{3}{8}$ " + connection kit $\frac{3}{8}$ "	<b>732230</b>

## PREMIX COMPACT

Thermostatic mixing valve with mixed water 30 - 60°C



- **For 2 - 10 sanitary points-of-use (depending on the flow rate).**
- **Anti-scalding safety:** automatic shut-off if cold or hot water supply fails.
- Adjustable temperature 30 - 60°C, can be blocked by the installer.
- Brass body.
- **Filters and non-return valves.**
- Minimum flow rate to operate: 5 lpm.
- **Thermal shocks are possible.**



733016

733021

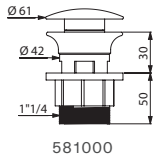
M $\frac{1}{2}$ " for 2 - 7 taps	
Nickel-plated body and blue control cap	<b>733015</b>
Chrome-plated body and control cap	<b>733016</b>
M $\frac{3}{4}$ " for 2 - 10 taps	
Nickel-plated body and blue control cap	<b>733020</b>
Chrome-plated body and control cap	<b>733021</b>

### ON/OFF waste

With stainless steel valve



- Washbasin waste M1¼" with stainless steel valve **with free flow**.
- Recommended for all washbasins equipped with electronic or time flow mixers/taps and washbasins with an overflow.
- Open/close by pressing the top of the waste.



581000

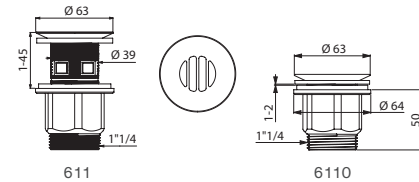
ON/OFF waste 581000

### HYGIÉNA waste

With chrome-plated brass concave grid



- Hygienic washbasin waste, M1¼".
- **Concave grid** (no water retention).
- **Free flow, with no central screw** (avoids scale deposits and reduces bacterial development).
- Polished chrome-plated brass grid, chrome-plated ABS body.
- Long model: can be tightened between 1-45mm; **pre-scored waste** (snap off sections can be removed easily for models with overflow).
- Short model: can be tightened between 1-2mm; **for stainless steel washbasins**.
- Conforms to norm EN 274-1.



611

6110

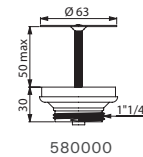
HYGIÉNA waste	
Long model	611
Short model	6110

### Waste

With stainless steel grid



- Stainless steel grid Ø 63mm for covering holes up to Ø 54mm maximum.
- Outlet M1¼".
- Central screw.



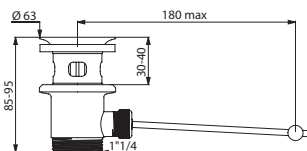
580000

Waste with stainless steel grid 580000

### Waste with valve



- Outflow M1¼".
- Chrome-plated brass.



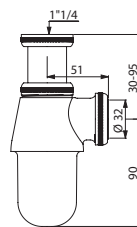
620

Brass waste with valve 620

### Trap with horizontal outlet



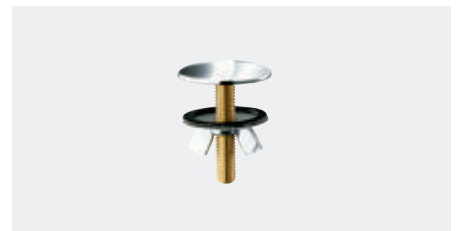
- Inlet F1¼".
- Horizontal outlet Ø 32mm with nut.
- Water level 50mm.
- Chrome-plated brass.



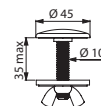
517000

Trap with horizontal outlet 517000

### Tap hole cover



- Ø 45mm tap hole cover for holes up to Ø 32mm maximum.
- Chrome-plated brass.



596000

Tap hole cover 596000

**STOP/CHECK connectors**

Wall-mounted connectors M $\frac{1}{2}$ " M $\frac{3}{4}$ "



- Chrome-plated brass connectors  $\varnothing$  65mm for wall-mounted mixers.
- M $\frac{1}{2}$ " M $\frac{3}{4}$ ".
- Supplied in packs of 2.
- **Ideal for hospitals.**

Connectors include:

**Manual escutcheon control:**

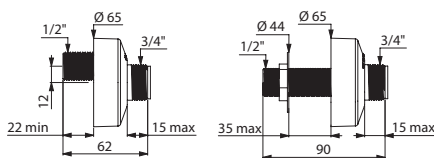
stopcock position and/or purge.

**Stopcocks (STOP function):**

- Allow shut-off of the water supply so that the mixer can be easily removed for descaling, cleaning or maintenance.
- Allow automatic anti-scalding safety to be checked on SECURITHERM thermostatic and EP pressure-balancing mixers.

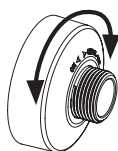
**Purge system (CHECK function):**

Allows non-return valves to be checked on the respective mixer (DELABIE patent).



855755.2P

855755UK.2P

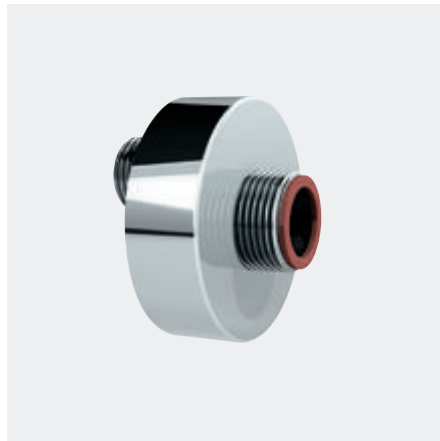


**STOP/CHECK connectors**

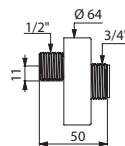
Offset connectors, L. 62mm	<b>855755.2P</b>
In-line connectors, L. 90 mm	<b>855755UK.2P</b>

**Offset standard connectors**

Wall-mounted connectors M $\frac{1}{2}$ " M $\frac{3}{4}$ "



- Offset standard connectors, 11mm centres,  $\varnothing$  64mm, L. 50mm for wall-mounted mixers.
- M $\frac{1}{2}$ " M $\frac{3}{4}$ ".
- Chrome-plated brass.
- Supplied in packs of 2.



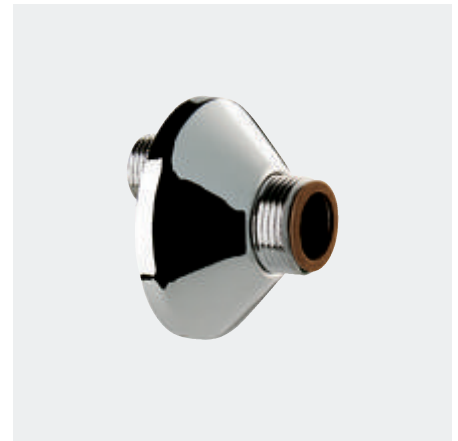
856794.2P

**Offset standard connectors**

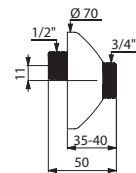
<b>856794.2P</b>
------------------

**Offset standard connectors**

Wall-mounted connectors M $\frac{1}{2}$ " M $\frac{3}{4}$ "



- Offset chrome-plated standard connectors  $\varnothing$  70mm for wall-mounted mixers.
- M $\frac{1}{2}$ " M $\frac{3}{4}$ ".
- Chrome-plated brass.
- Supplied in packs of 2.



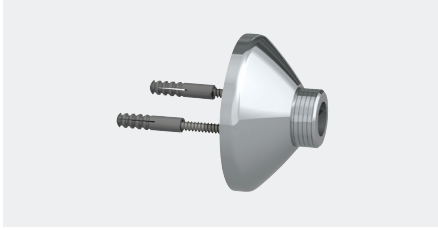
856127.2P

**Offset standard connectors**

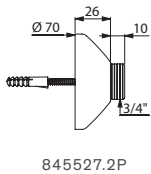
11mm centres, L. 50mm	<b>856127.2P</b>
12mm centres, L. 60mm	<b>856027.2P</b>

### Fast-fix connectors

For 15mm connection



- Wall-mounted in-line connectors.
- Chrome-plated connectors Ø 70mm, L. 36mm for wall-mounted mixers.
- M $\frac{3}{4}$ ".
- Supplied in packs of 2.

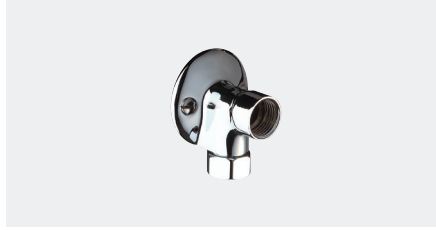


845527.2P

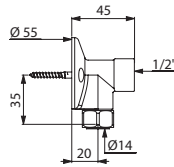
Fast-fix connectors	845527.2P
---------------------	-----------

### Reinforced exposed connector

For M $\frac{1}{2}$ " stopcocks



- Reinforced chrome-plated brass exposed connector.
- Ø 14mm stud nut.
- MF $\frac{1}{2}$ ".
- Fixed by 2 screws (supplied).



841315

Reinforced exposed connector	841315
------------------------------	--------

### Connectors with non-return valves

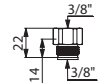
Chrome-plated brass connectors



- Connectors with integral filter to prevent backflow of contaminated water into the system.
- Prevent cross flow of cold and hot water.
- Supplied in packs of 2.



C291AH75

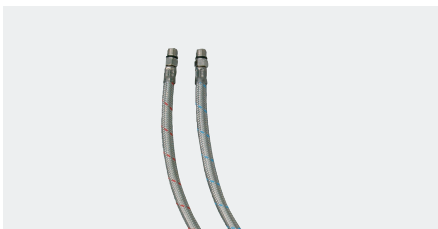


C151AH75

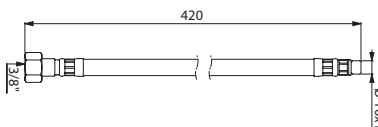
Connectors with non-return valves	
For flexibles FM $\frac{1}{2}$ "	C291AH75
For flexibles FM $\frac{3}{8}$ "	C151AH75

### PEX flexible hoses F $\frac{3}{8}$ "

To supply mixers and taps



- PEX core, interior Ø 6mm, braided stainless steel sheath.
- Withstand thermal shocks up to 90°C max. (recommended 65°C) and chlorine shocks.
- Maximum pressure: 10 bar.
- Supplied in packs of 2.

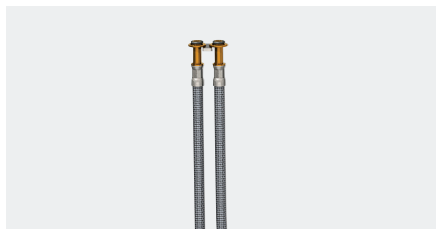


FLEXPEX2

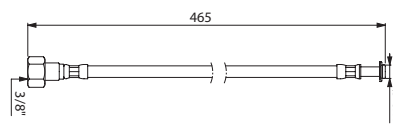
PEX flexible hose connectors, F $\frac{3}{8}$ "	
M10 × 1 L. 420mm	FLEXPEX2
M10 × 1 L. 525mm	FLEXPEX3
M10 × 1 L. 660mm	FLEXPEX4

### PEX flexibles with rotating unions

To supply mixer 2620



- PEX core, interior Ø 6mm, braided stainless steel sheath.
- **Rotating unions facilitate installation** (non-twist).
- Withstand thermal shocks up to 90°C max. (recommended 65°C) and chlorine shocks.
- Maximum pressure: 10 bar.
- Supplied in packs of 2.

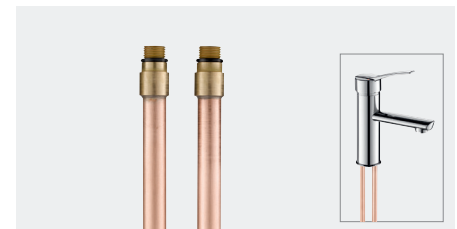


FLEXPEX6

PEX flexible hoses, F $\frac{3}{8}$ " with rotating unions	FLEXPEX6
--	----------

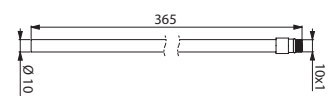
### Copper tails

To supply mixers and taps



- Soft-tempered copper tails.
- Can be installed instead of PEX flexibles.
- Better conductors than flexibles.
- Will withstand thermal shocks.
- Supplied in packs of 2.

**Pro tip:** Don't forget to include non-return valves on the copper tubes if the PEX flexibles to be replaced have integral non-return valves. Call our Technical team for further information.



811610.2P

Copper tails	
M10 × 1 L. 365mm	811610.2P
M11 × 1 L. 365mm	811611.2P
Ø 14.6mm L. 383mm for 2620 range	811612.2P

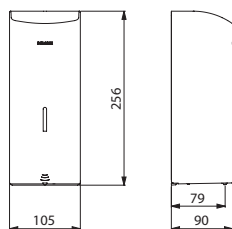
BASIN/SINK FITTINGS

## Electronic liquid soap dispenser

Battery-operated



- **Vandal-resistant model with lock and standard DELABIE key.**
- **No manual contact:** hands are automatically detected by infrared cell (detection distance can be adjusted).
- **Bacteriostatic 304 stainless steel cover. One-piece hinged cover** for easy maintenance and better hygiene.
- **No waste pump dispenser:** dispenses 0.8ml (can be adjusted up to 7 doses per activation).
- Option of operation in **anti-clogging mode.**
- Power supply: 6 AA -1.5V (DC9V) batteries supplied integrated in the soap dispenser body.
- Low battery indicator light.
- Tank with large opening: eases transfer of soap from large containers.
- Window allows soap level to be checked.
- Stainless steel thickness: 1mm.
- Capacity: 1 litre.
- For vegetable-based liquid soap with a maximum viscosity of 3,000 mPa.s.
- Compatible with hydroalcoholic gel.
- CE marked.



512066

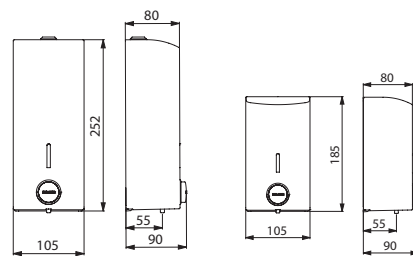
Electronic liquid soap dispenser - 1 litre	
Bright 304 stainless steel	<b>512066P</b>
Satin 304 stainless steel	<b>512066S</b>
White powder-coated 304 stainless steel	<b>512066W</b>

## Liquid soap dispenser

With soft-touch operation



- **Vandal-resistant model with lock and standard DELABIE key.**
- **Bacteriostatic 304 stainless steel cover.**
- **One-piece hinged cover** for easy maintenance and better hygiene.
- **Push-button with soft-touch operation.**
- **Anti-blocking:** single dose per press even when the button is pressed for long periods.
- No waste, non-drip (waterproof) pump-action dispenser.
- Tank with large opening: eases transfer of soap from large containers.
- Tank prevents long-term stagnation of soap.
- Window allows soap level to be checked.
- Stainless steel thickness: 1mm.
- Capacity: 0.5 or 1 litre.
- 0.5 litre model dimensions: 90 × 105 × 185mm.
- 1 litre model dimensions: 90 × 105 × 252mm.
- For vegetable-based liquid soap with a maximum viscosity of 3,000 mPa.s.
- Compatible with hydroalcoholic gel.



510580

510583

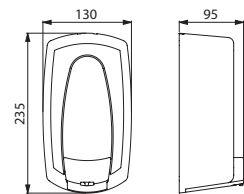
Liquid soap dispenser - 0.5 litre	
Bright 304 stainless steel	<b>510583</b>
Satin 304 stainless steel	<b>510586</b>
White powder-coated 304 stainless steel	<b>510584</b>
Liquid soap dispenser - 1 litre	
Bright 304 stainless steel	<b>510580</b>
Satin 304 stainless steel	<b>510582</b>
White powder-coated 304 stainless steel	<b>510581</b>

## Hypereco liquid soap dispenser

ABS



- White ABS.
- Push-button with non-drip system.
- With lock.
- Level control.
- **Capacity: 0.9 litre.**
- Ref. 374001 dimensions: 95 × 130 × 235mm.
- Ref. 6712 dimensions: 105 × 130 × 215mm.



374001

Hypereco liquid soap dispenser	
With hand control	<b>374001</b>
With elbow control	<b>6712</b>

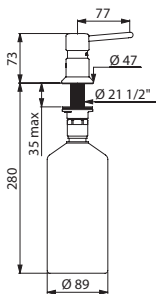


**Liquid soap dispenser**

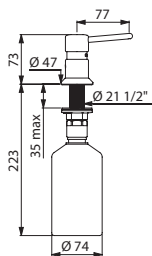
Deck-mounted, straight spout



- Model for installing on washbasins.
- **Vandal-resistant model.**
- Chrome-plated brass body and push-button.
- Non-drip system (waterproof).
- **Mechanism can be locked via a grub screw.**
- Top fill (by unscrewing the push-button) or from the lower part (by unscrewing the bottle).



729008

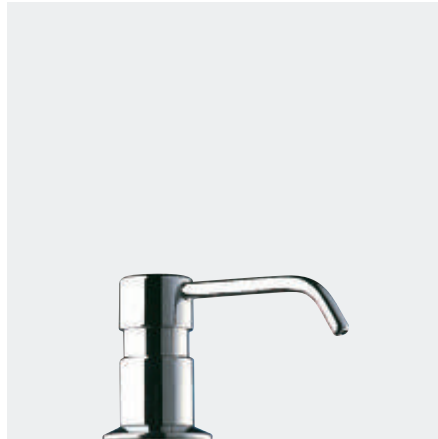


729508

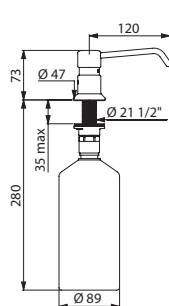
Soap dispenser with straight spout	
With 1 litre bottle	<b>729008</b>
With 0.5 litre bottle	<b>729508</b>
With flexible tube 1.20m for remote tank	<b>729108</b>

**Liquid soap dispenser**

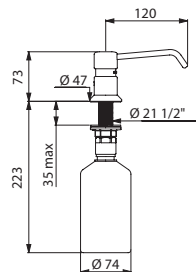
Deck-mounted, curved spout



- Model for installing on washbasins.
- **Vandal-resistant model.**
- Chrome-plated brass body and push-button.
- Non-drip system (waterproof).
- **Mechanism can be locked via a grub screw.**
- Top fill (by unscrewing the push-button) or from the lower part (by unscrewing the bottle).



729012



729512

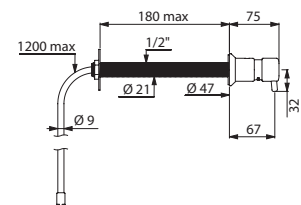
Soap dispenser with curved spout	
With 1 litre bottle	<b>729012</b>
With 0.5 litre bottle	<b>729512</b>
With flexible tube 1.20m for remote tank	<b>729112</b>

**Cross wall liquid soap dispenser**

Wall-mounted for cross wall installation



- **Model for cross wall installation, for walls up to 180mm.**
- Chrome-plated brass body and push-button.
- Non-drip system (waterproof).
- **Mechanism can be locked via a grub screw.**
- **For remote tanks** (tank not supplied), with flexible tube 1.20m.



729150

Cross wall soap dispenser, for remote tank	<b>729150</b>
--	---------------



### SPOUT OUTLETS FOR MIXERS AND TAPS

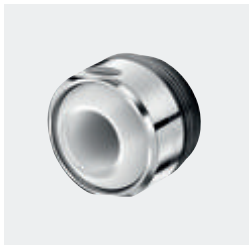
Spout outlets are susceptible to bacterial growth (*Pseudomonas aeruginosa*, *Legionella* spp., etc.) since the presence of air and water encourages the proliferation of bacteria. There are different types of spout outlets available more or less suited to the issues faced by hospitals, particularly the fight against bacterial proliferation.



Scale build-up on aerator causes splashing



Flow from a BIOSAFE outlet: good flow, with no splashing



BIOSAFE spout outlet

#### Conventional aerators

Aerators in tap spouts are strongly discouraged in healthcare facilities, particularly in the area of *Legionella* prevention. In effect, aerators create an air/water mix which increases the risk of aerosol formation. Moreover, the fine grids in an aerator retain impurities which are conducive to bacterial growth.

#### Flow straightener

To reduce these risks, flow straighteners are highly recommended for spout outlets. All DELABIE's mixers and taps are supplied with flow straighteners that are specially developed for healthcare facilities. They do not have a mesh and they do not aspirate air. In comparison with traditional aerators, DELABIE's flow straighteners are made from a material that limits scale build-up. However, even though its development can be slowed, scale build-up is inevitable. In healthcare facilities, the maintenance staff remove flow straighteners regularly (sometimes very frequently) to clean/disinfect them as part of the cleaning protocols put in place by infection control teams in hospitals.

**To minimise maintenance, DELABIE recommends a revolutionary device to replace the flow straightener - the BIOSAFE outlet.**

#### BIOSAFE hygienic outlet

Made from Hostaform®, its smooth internal surface provides **nowhere for impurities or scale to adhere** (no grid, partitions or star-shaped structure) reducing the emergence and spread of bacteria and germs in damp conditions.

It can only be installed on a mixer or tap that already has a restricted flow rate to ensure a good flow, with no splashing.

Certain DELABIE's mixers and taps already have the BIOSAFE outlet fitted as standard.

The BIOSAFE outlet is also available as an option (*see opposite*).

### BIOSAFE hygienic outlet



- **Free flow outlet** with no grid or partitions in contact with the water.
- Water cannot stagnate in the internal part.
- Made from Hostaform® (scale-resistant material).
- Chrome-plated brass collar.
- Supplied individually or in packs of 50.

This BIOSAFE outlet can only be installed on a mixer or tap with a restricted flow rate (5 lpm maximum) to ensure a good flow with no splashing.



923024



923022

BIOSAFE hygienic outlet	
M24/100 (1 piece)	<b>923024</b>
M24/100 (50 per pack)	<b>923024.50P</b>
F22/100 (1 piece)	<b>923022</b>
F22/100 (50 per pack)	<b>923022.50P</b>

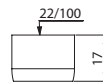
### Hygienic flow straightener



- Star-shaped with no grid: reduces bacterial development.
- Chrome-plated brass collar.
- Supplied in packs of 2 or 50.



921024.2P



921022.2P

Hygienic flow straightener	
M24/100 (2 per pack)	<b>921024.2P</b>
M24/100 (50 per pack)	<b>921024.50P</b>
F22/100 (2 per pack)	<b>921022.2P</b>
F22/100 (50 per pack)	<b>921022.50P</b>

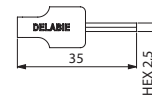
### ECO flow straightener

Scale-resistant, pre-set at 3 lpm

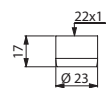


- Scale-resistant flow straightener pre-set at 3 lpm (DELABIE patented).
- **Flow rate can be adjusted from 1.5 to 6 lpm** at 3 bar (depending on the tap/mixer model) from the outside using a 2.5mm Allen key.
- Flow straightener with no grid: reduces bacterial development (no water retention or impurity deposits).
- Supplied in packs of 2.

The water savings generated by the ECO flow straightener surpass the requirements of class "Z" of the European standard EN 246.



C282025



922022.2P

Scale-resistant ECO flow straightener	
M24/100	<b>922024.2P</b>
F22/100	<b>922022.2P</b>
2.5mm Allen key, chrome-plated	<b>C282025</b>



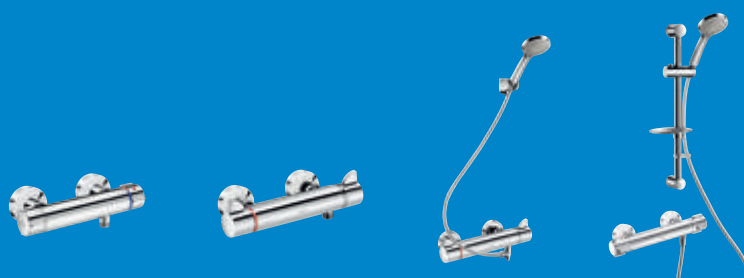
# SECURITHERM

## thermostatic and pressure-balancing mixers for showers and baths

SEQUENTIAL  
THERMOSTATIC  
MIXERS AND KITS  
**104**



DUAL CONTROL  
THERMOSTATIC  
MIXERS AND KITS  
**112**



THERMOSTATIC  
SHOWER PANELS  
**122**



PRESSURE-BALANCING  
MIXERS AND KITS  
**132**





SECURITHERM recessed sequential thermostatic shower mixer **790BOX + H9632** - Elbow outlet **868121** - SILVER flexible hose **836T3** - Shower head **813**  
T-shaped Be-Line® shower bar **511944C** - Be-Line® soap dish **511912W** - Be-Line® sliding shower head holder **511911C** - Removable Be-Line® lift-up shower seat **511920C**

## SECURITHERM: OPTIMISED ANTI-SCALDING FAILSAFE

### Automatic anti-scalding failsafe

SECURITHERM thermostatic technology ensures immediate hot water shut-off if the cold water supply fails. If the cold water supply fails, the European standard EN 1111 allows a slight leak of hot water (0.10L/10 seconds).

With DELABIE's thermostatic mixers **the hot water shut-off is complete** (with no trickle of water).

If the hot water supply fails, DELABIE's SECURITHERM mixers also shut off the cold water supply.

This avoids the risk of cold showers which may result in a loss of balance or a fall.

### Maximum temperature limiter

DELABIE's sequential thermostatic mixers are supplied with a **pre-set maximum temperature limiter**.

The user cannot increase the temperature above the maximum set temperature, reducing the risk of scalding.

### Thermal shock safety

With SECURITHERM sequential thermostatic mixers, it is possible to **undertake thermal shocks at the temperature of the hot water in the system**.

Remove the control lever to unblock the temperature limiter index ring.

### Securitouch technology

Specifically designed for patients, people with reduced mobility, the elderly and children, Securitouch technology provides increased safety for superior comfort.

**The whole mechanism on SECURITHERM sequential thermostatic models is thermally insulated**, preventing any risk of burns when touching the mixer.

## SEQUENTIAL OPEN AND CLOSING ON COLD WATER

### Improved ergonomics and functionality

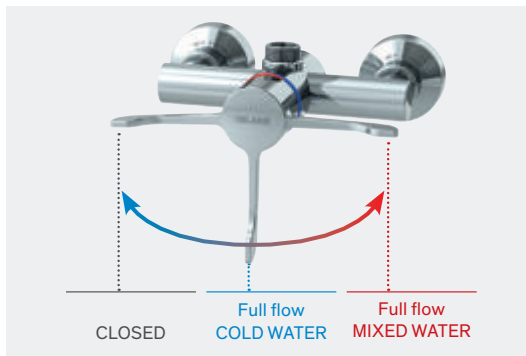
The same lateral movement over a 180° range opens the water flow and adjusts the temperature.

### Opens and closes on cold water

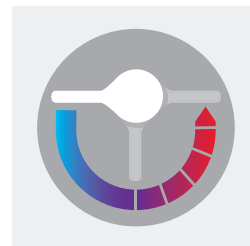
SECURITHERM sequential mixers open and close on cold water for increased anti-scalding failsafe.

### Cold water

Opening with cold water without any passage of hot water, ensures the supply of only cold water if required (exclusive to DELABIE).



Sequential open and closing



Sequential open and closing



Anti-scalding failsafe



Securitouch technology: cool-touch



Ergonomic control: Hygiene control lever

## COMFORT AND ERGONOMICS

### Temperature stability

SECURITHERM sequential thermostatic mixers ensure stable temperatures regardless of pressure and flow rate variations in the system. They respond immediately to any changes.

### Ergonomic controls

and smooth operation suitable for hospital patients, the elderly or disabled people.

### Intuitive identification

Clear visual identification for Hot and Cold water on a Red/Blue coloured index ring.



Find out more about our range of thermostatic mixers with retracting hand sprays on page 57.



## BIOSAFE: INFECTION CONTROL

**No non-return valves  
SHW/SCW cross flow is impossible**  
DELABIE has developed a unique system that enables **sequential thermostatic mixers to close on Hot Water and Cold Water directly at the inlets**, making non-return valves completely redundant. The risk of cross flow is, therefore, completely eliminated.

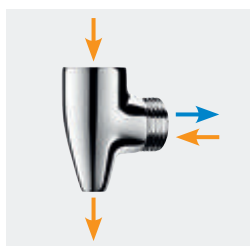
*For more information see page 11.*



**Low volume of standing water in the body**  
DELABIE's sequential thermostatic mixers have **specifically designed interiors that reduce the volume of standing water in the body**.

Furthermore, they have just one mechanism rather than two like dual control models. Therefore, **less components are in contact with the water** and there is less standing water in the mixer. The risk of bacterial development is reduced.

Smooth interior  
Low water volume

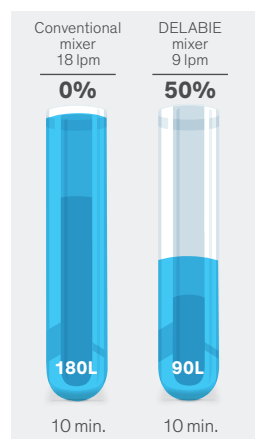


Auto-draining device

### Body with smooth interior

All the internal parts of DELABIE's sequential thermostatic shower mixer bodies are completely smooth, reducing biofilm attachment and making it easier to treat.

*For more information see page 10.*



Water savings per use



## AUTO-DRAINING DEVICE

DELABIE recommends installing its auto-draining device (ref. 880) on all shower mixers.

**This device allows the shower head and flexible hose to drain automatically**, essential in the fight against bacterial proliferation.

To be fully effective, DELABIE recommends connecting the auto-draining device to a short flexible shower hose (ref. 834T3 or 836T3, *page 151*).

Auto-draining shower kits are also available. They include a mixer fitted with an auto-draining device, a short flexible hose 0.85m long with a shower head fixed on a tilting wall support. The latter ensures that the flexible hose is perfectly taut, avoiding standing water in the flexible hose loop.

## 50% WATER AND ENERGY SAVINGS

### Flow rate regulated at 9 lpm

SECURITHERM thermostatic shower mixers are fitted with a flow rate regulator set at 9 lpm. This enables them to achieve almost 50% water savings compared to other mixers (15 - 20 lpm).

## AND ALSO...

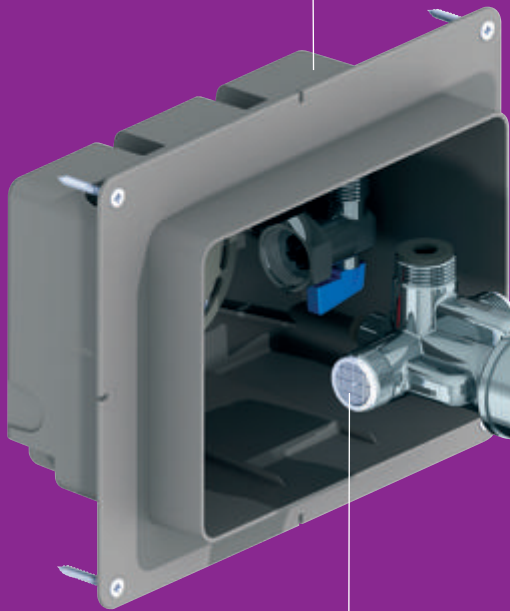
### Robust

Chrome-plated brass body.

**10-year warranty** against any manufacturing defects.



**WATERPROOF RECESSING HOUSING**

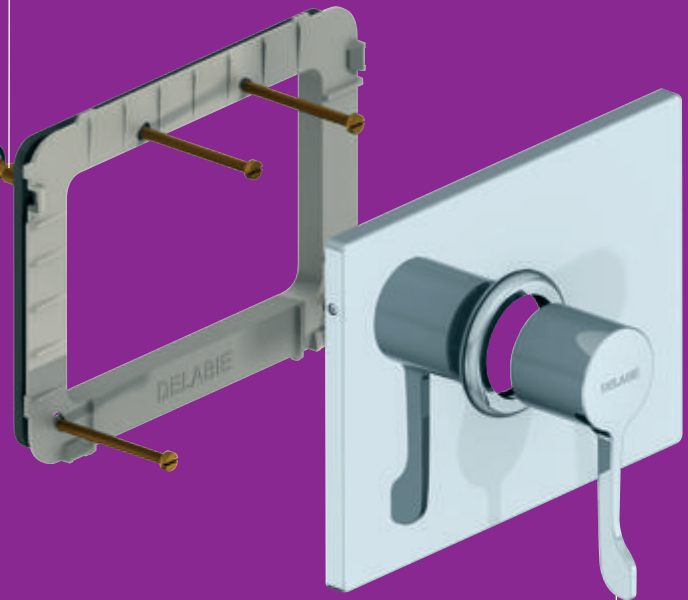


**SECURITHERM THERMOSTATIC**

Temperature stability  
Automatic HW shut-off  
in the event of CW failure

**SEQUENTIAL OPEN AND CLOSING**

Improved functionality and ergonomics



**NO NON-RETURN VALVE**

Infection control

**MAXIMUM TEMPERATURE LIMITER**

Anti-scalding failsafe

**ERGONOMIC HYGIENE CONTROL LEVER**

Easy to grip

## DELABIE / SECURITHERM sequential thermostatic mixers



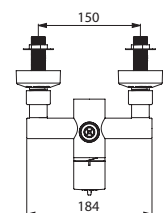
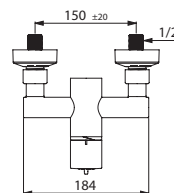
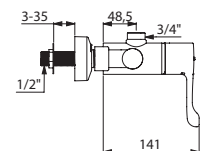
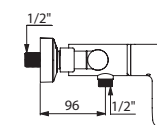
- **SECURITHERM** anti-scalding failsafe: immediate shut-off if cold water supply fails, **Securitouch** thermal insulation
- **Sequential open and closing on cold water**: increased anti-scalding failsafe
- **BIOSAFE** infection control: body with smooth interior, fewer components in contact with water
- **No non-return valves on the inlets**: no risk of cross flow between HW and CW, reduced risk of bacterial proliferation

### SECURITHERM Securitouch shower

Sequential thermostatic mixer, with no non-return valves



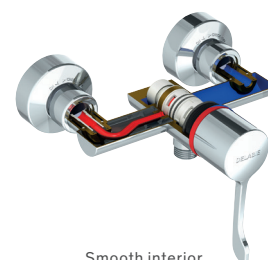
- **No risk of cross flow between hot and cold water.**  
**No non-return valves** on the inlets.
- **Anti-scalding failsafe**: immediate shut-off if cold water supply fails.
- **Securitouch thermal insulation prevents burns.**
- Scale-resistant **sequential thermostatic cartridge**.
- Temperature control: cold water up to 39°C.
- **Temperature limiter** set at 39°C.
- Thermal shocks are possible.
- **Body with smooth interior and low water volume.**
- **Flow rate regulated at 9 lpm.**
- Hygiene control lever L. 100mm.
- Top or bottom outlet options.
- Supplied with 2 offset STOP/CHECK connectors M $\frac{1}{2}$ " M $\frac{3}{4}$ " (ref. 855755.2P), 2 in-line STOP/CHECK connectors M $\frac{1}{2}$ " M $\frac{3}{4}$ " (ref. 855755UK.2P) or 2 offset standard connectors M $\frac{1}{2}$ " M $\frac{3}{4}$ " (ref. 856794.2P).



H9630

H964015

SECURITHERM Securitouch sequential shower	
<b>Bottom outlet</b>	
Offset STOP/CHECK connectors	<b>H9630</b>
In-line STOP/CHECK connectors	<b>H963015</b>
Offset standard connectors	<b>H9630S</b>
<b>Top outlet</b>	
Offset STOP/CHECK connectors	<b>H9640</b>
In-line STOP/CHECK connectors	<b>H964015</b>
Offset standard connectors	<b>H9640S</b>
<b>Options:</b> BIOFIL shower head with integrated filter (see page 150)	
Hydrotherapy accessories (see pages 149-151)	
Auto-draining device (see page 152), floor traps (see page 155)	
Other connectors available (see page 152)	



Smooth interior  
Thermal insulation on HW side  
**No non-return valves**

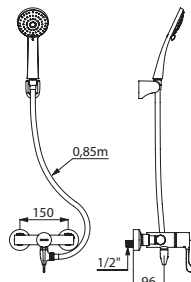


- **SECURITHERM** anti-scalding failsafe: immediate shut-off if cold water supply fails, **Securitouch** thermal insulation
- **Sequential open and closing on cold water**: increased anti-scalding failsafe
- **BIOSAFE** infection control: body with smooth interior, fewer components in contact with water
- **No non-return valves on the inlets**: no risk of cross flow between HW and CW, reduced risk of bacterial proliferation

**SECURITHERM auto-draining shower kit**  
With Securitouch sequential thermostatic mixer



- Shower kit with auto-draining device includes:
- **Mixer with** scale-resistant **sequential thermostatic cartridge**:
    - **No risk of cross flow between hot and cold water.**
    - **No non-return valves** on the inlets.
    - **Anti-scalding failsafe**: immediate shut-off if cold water supply fails.
    - **Securitouch thermal insulation prevents burns.**
    - Temperature control: cold water up to 39°C, **limiter** set at 39°C.
    - Thermal shocks are possible.
    - **Flow rate regulated at 9 lpm.**
    - Hygiene control lever L. 100mm. M $\frac{1}{2}$ " bottom outlet.
  - Shower head with flexible hose and chrome-plated wall-mounted tilting support.
  - **Auto-draining device** FM $\frac{1}{2}$ " automatically drains the flexible and shower head (see page 152).



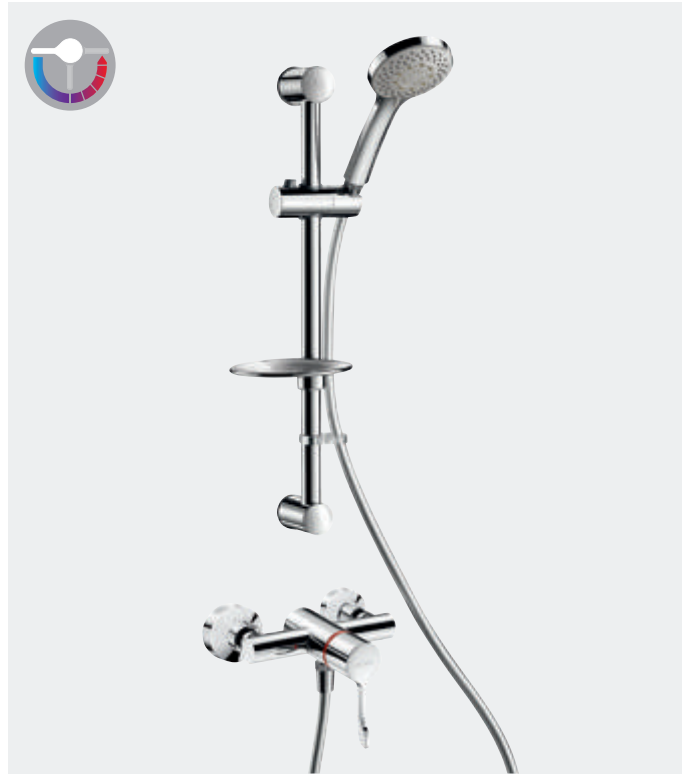
Smooth interior  
Thermal insulation on HW side  
**No non-return valves**

H9630HYG

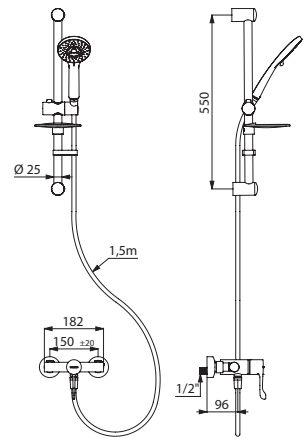
SECURITHERM Securitouch auto-draining shower kit	
Offset STOP/CHECK connectors	<b>H9630HYG</b>
Offset standard connectors	<b>H9630SHYG</b>

**Options:** BIOFIL shower head with integrated filter (see page 150)  
Soap dishes (see page 154), floor traps (see page 155)  
Other connectors available (see page 152)

**SECURITHERM shower kit**  
With Securitouch sequential thermostatic mixer



- Shower kit includes:
- **Mixer with** scale-resistant **sequential thermostatic cartridge**:
    - **No risk of cross flow between hot and cold water.**
    - **No non-return valves** on the inlets.
    - **Anti-scalding failsafe**: immediate shut-off if cold water supply fails.
    - **Securitouch thermal insulation prevents burns.**
    - Temperature control: cold water up to 39°C, **limiter** set at 39°C.
    - Thermal shocks are possible.
    - **Flow rate regulated at 9 lpm.**
    - Hygiene control lever L. 100mm. M $\frac{1}{2}$ " bottom outlet.
  - Sliding shower head on a chrome-plated rail with flexible hose and soap dish.
  - **Shower hose retaining collar.**



Smooth interior  
Thermal insulation on HW side  
**No non-return valves**

H9630KIT

SECURITHERM Securitouch shower kit	
Offset STOP/CHECK connectors	<b>H9630KIT</b>
Offset standard connectors	<b>H9630SKIT</b>

**Options:** BIOFIL shower head with integrated filter (see page 150)  
Auto-draining device (see page 152), floor traps (see page 155)  
Other connectors available (see page 152)

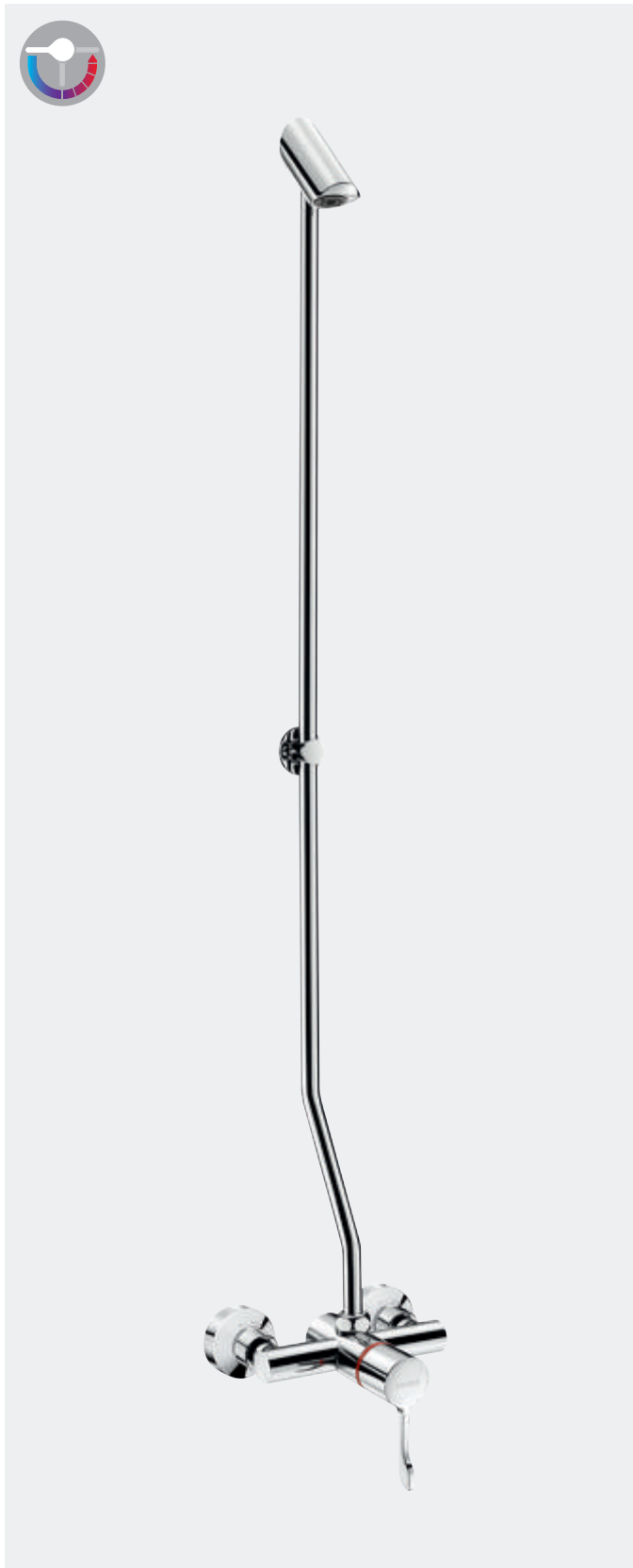
THERM/EP SHOWERS



- **SECURITHERM** anti-scalding failsafe: immediate shut-off if cold water supply fails, **Securitouch** thermal insulation
- **Sequential open and closing on cold water:** increased anti-scalding failsafe
- **BIOSAFE** infection control: body with smooth interior, fewer components in contact with water
- **No non-return valves on the inlets:** no risk of cross flow between HW and CW, reduced risk of bacterial proliferation

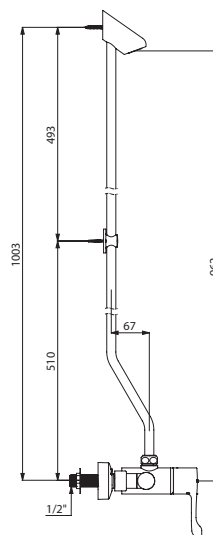
## SECURITHERM Securitouch shower kit

With sequential thermostatic mixer



### Shower kit for exposed wall-mounting:

- Fixed TONIC JET shower head:
  - Chrome-plated solid brass and concealed fixing.
  - **Scale-resistant nozzle with no grid:** no impurity retention. The shower head drains after use.
  - **Flow rate 6 lpm** at 3 bar.
  - Shower head with automatic flow rate regulator.
- Shower column link Ø 16mm with reinforced collar (fixing plate and screws included).
- **Sequential thermostatic mixer with no non-return valves.**
- Supplied with 2 offset STOP/CHECK connectors M $\frac{1}{2}$ " M $\frac{3}{4}$ " (ref. 855755.2P) or 2 in-line STOP/CHECK connectors M $\frac{1}{2}$ " M $\frac{3}{4}$ " (ref. 855755UK.2P).



H964115



Smooth interior  
Thermal insulation on HW side  
**No non-return valves**

### SECURITHERM sequential shower kit

Offset STOP/CHECK connectors	<b>H9641</b>
In-line STOP/CHECK connectors	<b>H964115</b>

**Options:** BIOFIL shower head with integrated filter (see page 150)  
 Soap dishes (see page 154), floor traps (see page 155)  
 Other connectors available (see page 152)



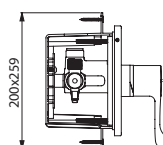
- **SECURITHERM** anti-scalding failsafe: immediate shut-off if cold water supply fails, **Securitouch** thermal insulation
- **Sequential open and closing on cold water**: increased anti-scalding failsafe
- **BIOSAFE** infection control: fewer components in contact with water
- **No non-return valves**: no risk of cross flow between HW and CW, reduced risk of bacterial proliferation

## SECURITHERM recessed shower

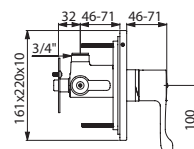
Sequential thermostatic mixer in a waterproof housing



- **Waterproof recessing housing** behind a bright polished stainless steel wall plate 160 × 220mm.
- Adjustable recessing depth from 10 - 30mm.
- Mixer with scale-resistant **sequential thermostatic cartridge**:
  - **Sequential with no non-return valves** (reduces bacterial development).
  - **Anti-scalding failsafe**: immediate shut-off if cold water supply fails.
  - **Securitouch thermal insulation prevents burns.**
  - Temperature control: cold water up to 39°C.
  - **Maximum temperature limiter** set at 39°C.
  - Thermal shocks are possible.
  - **Flow rate regulated at 9 lpm** (mixer only), 6 lpm at 3 bar with shower head.
  - Hygiene control lever L. 100mm.
  - M<sup>3</sup>/<sub>4</sub>" inlets with integrated filters.
- Order a wall-mounted shower head or outlet to complete (see pages 145 and 153).



790BOX+H9632



H9632

SECURITHERM sequential shower mixer without shower head in a waterproof housing	790BOX + H9632
--	-------------------

**Options:** Fixed shower head (see page 145), floor traps (see page 155)



SECURITHERM BIOSAFE thermostatic shower mixer **H9769** - SILVER flexible hose **836T3** - L-shaped grab bar **5071GP2** - Sliding shower head holder **4110P**  
Shower head **813** - Comfort lift-up shower seat **510434** - Floor trap **683002UK**

## SECURITHERM: OPTIMISED ANTI-SCALDING FAILSAFE

### Automatic anti-scalding failsafe

SECURITHERM thermostatic technology ensures immediate hot water shut-off if the cold water supply fails. If the cold water supply fails, the European standard EN 1111 allows a slight leak of hot water (0.10L/10 seconds).

With DELABIE's thermostatic mixers **the hot water shut-off is complete** (with no trickle of water). If the hot water supply fails, DELABIE's SECURITHERM mixers also shut off the cold water supply. This avoids the risk of cold showers which may result in a loss of balance or a fall.

### Maximum temperature limiter

DELABIE's dual control thermostatic mixers are supplied with a **pre-set maximum temperature limiter**. The user cannot increase the temperature above the maximum set temperature, reducing the risk of scalding.

### Thermal shock safety

With SECURITHERM dual control thermostatic mixers, it is possible to **undertake thermal shocks at the temperature of the hot water in the system without removing the control**.

Simply press the little red button with a pointed tool to override the maximum temperature limiter.

For refs. H974 1TP and H9752P unscrew the temperature adjustment cap using an Allen key and turn the valve spindle clockwise all the way to the right to override the temperature setting.

*For more information see page 13.*

### Securitouch technology

Specifically designed for patients, people with reduced mobility, the elderly and children, Securitouch technology provides increased safety for superior comfort.

**The whole mechanism on the majority of SECURITHERM dual control thermostatic models is thermally insulated.**

This removes all risk of burns when touching the mixer.

## COMFORT AND ERGONOMICS

### Temperature stability

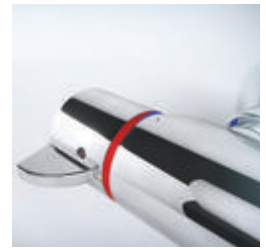
SECURITHERM dual control thermostatic mixers ensure stable temperatures regardless of pressure and flow rate variations in the system. They respond immediately to any changes.

### Ergonomic controls

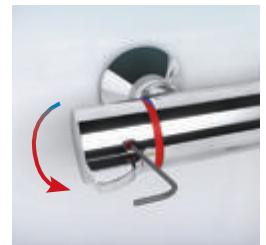
DELABIE's SECURITHERM dual control thermostatic mixers are fitted with ergonomic control knobs, ensuring a smooth operation suitable for hospital patients, the elderly or disabled people.

### Intuitive identification

Clear visual identification for Hot and Cold water on a Red/Blue coloured index ring.



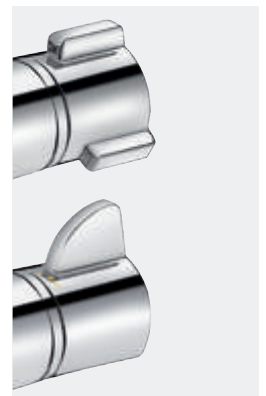
Temperature limiter



Thermal shock safety



Securitouch technology: cool-touch



Ergonomic control knobs



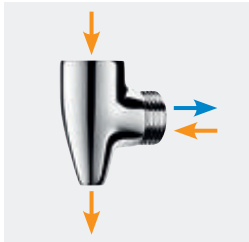
## BIOSAFE: INFECTION CONTROL

### No non-return valves SHW/SCW cross flow is impossible

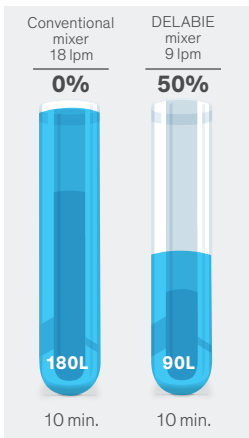
DELABIE has developed a unique system that enables thermostatic mixers to close on Hot Water and Cold Water directly at the inlets.

The design of the H9769 dual control mixers makes non-return valves completely redundant. As such all risk of cross flow between HW and CW supplies, creating the possibility of bacterial development, is eliminated.

For more information see page 11.



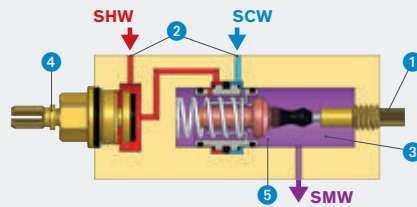
Auto-draining device



Water savings per use



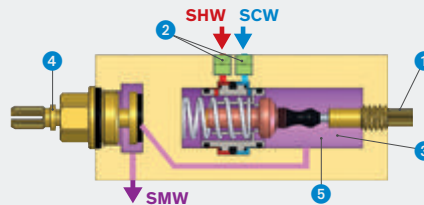
## THERMOSTATIC TECHNOLOGY DELABIE



- 1 Temperature control
- 2 No non-return valves
- 3 Mixed water
- 4 Mixer opening control
- 5 Mixing chamber

By closing the control 4, the SHW is closed. The thermostatic cell therefore closes the SCW. There is no risk of cross flow between SHW and SCW.

## CONVENTIONAL THERMOSTATIC TECHNOLOGY



- 1 Temperature control
- 2 Non-return valves
- 3 Mixed water
- 4 Mixer opening control
- 5 Mixing chamber

Sooner or later, the non-return valves are obstructed by impurities causing cross flow between the SHW and the SCW, responsible for bacterial development.

### Low volume of standing water in the body

The H9769 dual control thermostatic mixer has specifically designed interiors that reduce the volume of standing water in the body. As a result, the risk of bacterial development is reduced.

### Body with smooth interior

All the internal parts of certain DELABIE's dual control thermostatic mixers are completely smooth, reducing biofilm attachment and making it easier to treat.

For more information see page 10.

## AUTO-DRAINING DEVICE

DELABIE recommends installing its auto-draining device (ref. 880) on all shower mixers and shower-bath mixers. This device allows the shower head and flexible hose to drain automatically, essential in the fight against bacterial proliferation.

To be fully effective, DELABIE recommends connecting the auto-draining device to a short flexible shower hose (ref. 834T3 or 836T3, page 151).

Auto-draining shower kits are also available.

They include a mixer fitted with an auto-draining device, a short flexible hose 0.85m long with a shower head fixed on a tilting wall-support. The latter ensures that the flexible hose is perfectly taut, avoiding standing water in the flexible hose loop.

## 50% WATER AND ENERGY SAVINGS

### Flow rate 9 lpm

SECURITHERM thermostatic shower mixers are fitted with a flow rate regulator or limiter set at 9 lpm. This enables them to achieve almost 50% water savings compared to other mixers (15 - 20 lpm).

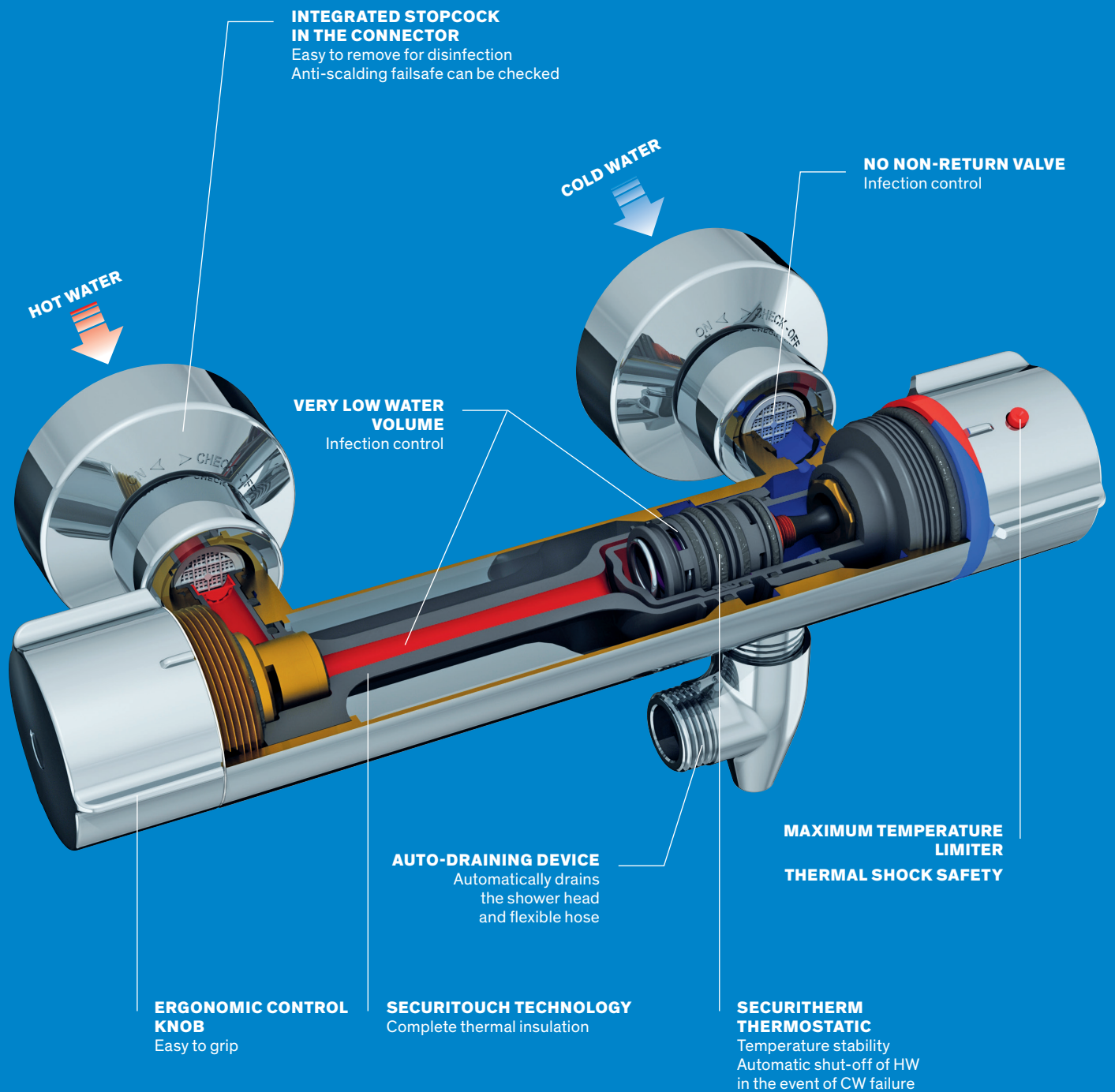
## AND ALSO...

### Robust

Chrome-plated brass body.

**10-year warranty** against any manufacturing defects.



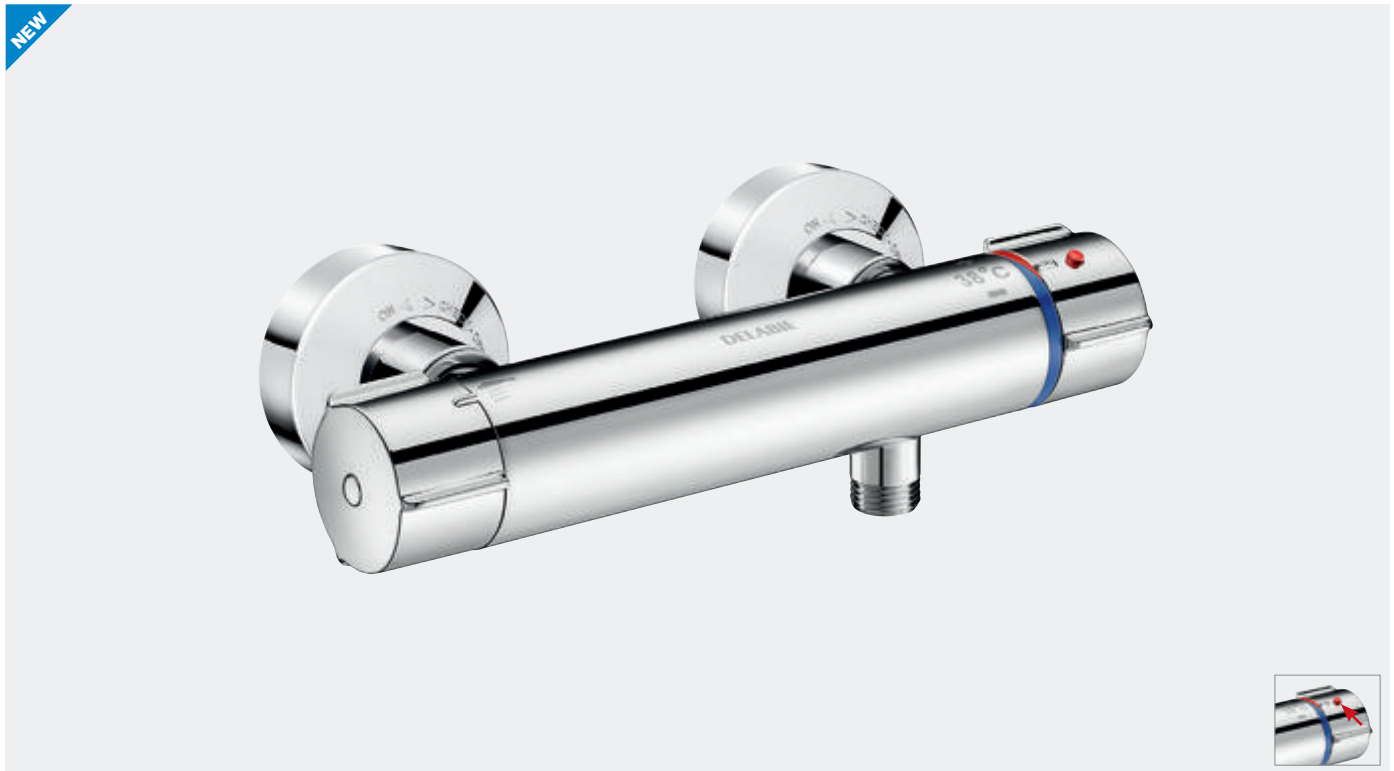




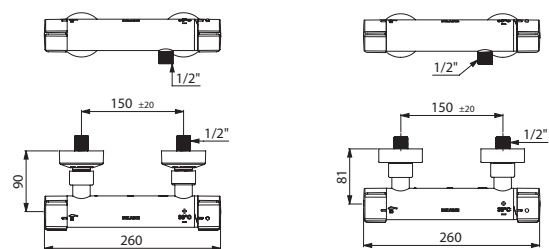
- **SECURITHERM** anti-scalding failsafe: immediate shut-off if cold water supply fails, **Securitouch** thermal insulation
- **No non-return valves on the inlets**: no risk of cross flow between HW and CW, reduced risk of bacterial proliferation
- **BIOSAFE** infection control: body with smooth interior and low water volume, fewer components in contact with water
- **Water savings**: 50%

### SECURITHERM Securitouch BIOSAFE shower

Dual control thermostatic mixer, with no non-return valves

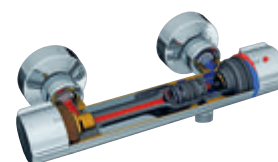


- **No risk of cross flow between hot and cold water.**  
**No non-return valves** on the inlets (patented system).
- **Anti-scalding failsafe**: immediate shut-off if cold water supply fails.
- **Securitouch thermal insulation prevents burns.**
- Scale-resistant **thermostatic cartridge** for adjusting the temperature.
- ¼-turn ceramic head for adjusting the flow rate.
- Temperature control: up to 41°C.
- **Double temperature limiter**: 1<sup>st</sup> limiter set at 38°C, 2<sup>nd</sup> limiter set at 41°C.
- **Thermal shocks are possible** without removing the control knob or shutting off the cold water supply (see page 13).
- **Flow rate limited to 9 lpm** at 3 bar.
- Ergonomic controls.
- M½" shower outlet.
- M¾" inlets with integrated filters.
- Supplied with 2 offset wall connectors M½" M¾" (see page 152).



H9769

H9769S



Low water volume  
Thermal insulation  
**No non-return valves**

SECURITHERM Securitouch BIOSAFE shower	
STOP/CHECK connectors	<b>H9769</b>
Standard connectors	<b>H9769S</b>
<b>Options:</b> auto-draining device (see page 152) Hydrotherapy accessories (see pages 149-151) Other connectors available (see page 152)	



- **SECURITHERM** anti-scalding failsafe: immediate shut-off if cold water supply fails, **Securitouch** thermal insulation
- **No non-return valves on the inlets:** no risk of cross flow between HW and CW, reduced risk of bacterial proliferation
- **BIOSAFE** infection control: body with smooth interior and low water volume, fewer components in contact with water
- **Water savings:** 50%

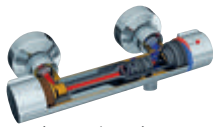
**SECURITHERM auto-draining shower kit**

With Securitouch dual control thermostatic mixer

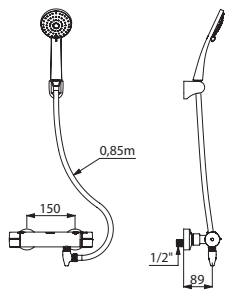


Shower kit with auto-draining device includes:

- **Dual control mixer with** scale-resistant **thermostatic cartridge:**
  - **No risk of cross flow between hot and cold water.**
  - **No non-return valves** on the inlets (patented system).
  - **Anti-scalding failsafe:** immediate shut-off if cold water supply fails.
  - **Securitouch thermal insulation prevents burns.**
  - Temperature control: up to 41°C.
  - **Double temperature limiter:** 1<sup>st</sup> limiter set at 38°C, 2<sup>nd</sup> limiter set at 41°C. **Thermal shocks are possible.**
  - **Flow rate limited to 9 lpm** at 3 bar.
  - Ergonomic control knobs.
  - M $\frac{1}{2}$ " shower outlet.
  - M $\frac{3}{4}$ " inlets with integrated filters.
- Shower head with flexible hose and chrome-plated, wall-mounted tilting support.
- **Auto-draining device** FM $\frac{1}{2}$ " automatically drains the flexible hose and the shower head (see page 152).



Low water volume  
Thermal insulation  
**No non-return valves**



H9769HYG

SECURITHERM Securitouch auto-draining shower kit	
Offset STOP/CHECK connectors	<b>H9769HYG</b>
Offset standard connectors	<b>H9769SHYG</b>

**Options:** BIOFIL shower head with integrated filter (see page 150)  
 Soap dishes (see page 154), floor traps (see page 155)  
 Other connectors available (see page 152)

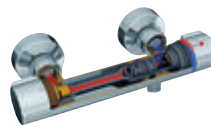
**SECURITHERM shower kit**

With Securitouch dual control thermostatic mixer

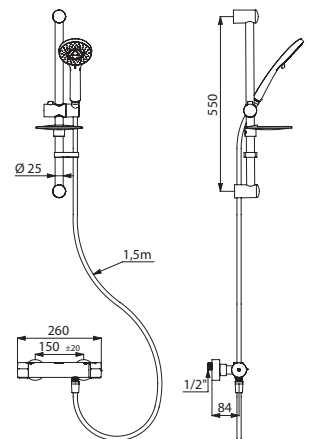


Shower kit includes:

- **Dual control mixer with** scale-resistant **thermostatic cartridge:**
  - **No risk of cross flow between hot and cold water.**
  - **No non-return valves** on the inlets (patented system).
  - **Anti-scalding failsafe:** immediate shut-off if cold water supply fails.
  - **Securitouch thermal insulation prevents burns.**
  - Temperature control: up to 41°C.
  - **Double temperature limiter:** 1<sup>st</sup> limiter set at 38°C, 2<sup>nd</sup> limiter set at 41°C. **Thermal shocks are possible.**
  - **Flow rate limited to 9 lpm** at 3 bar.
  - Ergonomic control knobs.
  - M $\frac{1}{2}$ " shower outlet.
  - M $\frac{3}{4}$ " inlets with integrated filters.
- Sliding shower head on a chrome-plated rail with flexible hose and soap dish.
- **Shower hose retaining collar.**



Low water volume  
Thermal insulation  
**No non-return valves**



H9769KIT

SECURITHERM Securitouch shower kit	
Offset STOP/CHECK connectors	<b>H9769KIT</b>
Offset standard connectors	<b>H9769SKIT</b>

**Options:** BIOFIL shower head with integrated filter (see page 150)  
 Auto-draining device (see page 152), floor traps (see page 155)  
 Other connectors available (see page 152)

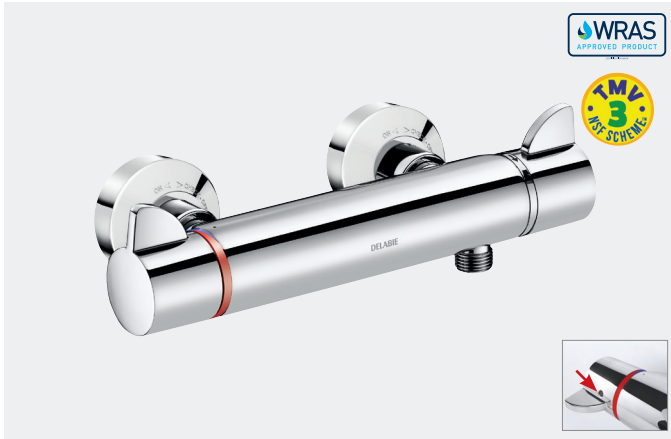
THERM/EP SHOWERS



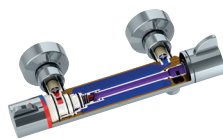
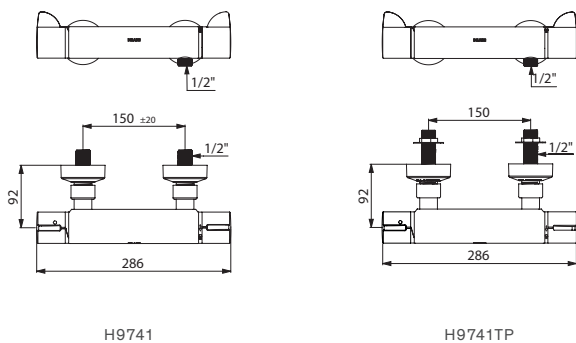
- **SECURITHERM** anti-scalding failsafe: immediate shut-off if cold water supply fails
- **Securitouch** hot water insulation: prevents any risk of burns when touching the mixer
- **Ergonomics**: controls are easy to grip, suitable for hospital patients, children, the elderly and disabled people

### SECURITHERM Securitouch shower

Dual control thermostatic mixer



- **Anti-scalding failsafe**: immediate shut-off if cold water supply fails.
- **Securitouch thermal insulation prevents burns.**
- Scale-resistant **thermostatic cartridge** for adjusting the temperature.
- ¼-turn ceramic head for adjusting the flow rate.
- Temperature control: 25 - 41°C.
- **Double temperature limiter** : 1<sup>st</sup> limiter set at 38°C, 2<sup>nd</sup> limiter set at 41°C. For ref. H9741TP, **maximum temperature limiter** set at 38°C.
- **Thermal shocks are possible** without removing the control knob or shutting off the cold water supply on H9741 and H9741S models (see page 13).
- **Flow rate regulated at 9 lpm.**
- ERGO control knobs.
- M½" shower outlet.
- M¾" inlets with integrated filters and non-return valves.
- Supplied with 2 offset STOP/CHECK connectors M½" M¾" (ref. 855755.2P), 2 in-line STOP/CHECK connectors M½" M¾" (ref. 855755UK.2P) or 2 offset standard connectors M½" M¾" (ref. 856794.2P).



Thermal insulation

SECURITHERM Securitouch shower	
Offset STOP/CHECK connectors	<b>H9741</b>
In-line STOP/CHECK connectors	<b>H9741TP</b>
Offset standard connectors	<b>H9741S</b>

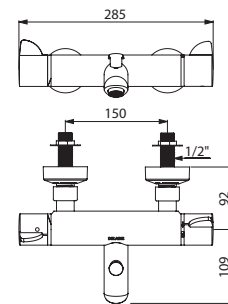
**Options:** auto-draining device (see page 152)  
 Hydrotherapy accessories (see pages 149-151)  
 Other connectors available (see page 152)

### SECURITHERM Securitouch shower-bath

Dual control thermostatic mixer



- **Anti-scalding failsafe**: immediate shut-off if cold water supply fails.
- **Securitouch thermal insulation prevents burns.**
- Scale-resistant **thermostatic cartridge** for adjusting the temperature.
- ¼-turn ceramic head for adjusting the flow rate.
- Temperature control: 25 - 41°C.
- **Double temperature limiter** : 1<sup>st</sup> limiter set at 38°C, 2<sup>nd</sup> limiter set at 41°C. For ref. H9752P, **maximum temperature limiter** set at 38°C.
- **Thermal shocks are possible** without removing the control knob or shutting off the cold water supply on H9752S models (see page 13).
- **Automatic diverter with low pressure lock** maintains the shower position even if the flow rate is too low.
- ERGO control knobs.
- M½" shower outlet.
- M¾" inlets with integrated filters and non-return valves.
- Supplied with 2 in-line STOP/CHECK connectors M½" M¾" (ref. 855755UK.2P) or 2 offset standard connectors M½" M¾" (ref. 856794.2P).



SECURITHERM Securitouch shower	
In-line STOP/CHECK connectors	<b>H9752P</b>
Offset standard connectors	<b>H9752S</b>

**Options:** auto-draining device (see page 152)  
 Hydrotherapy accessories (see pages 149-151)  
 Other connectors available (see page 152)



- **SECURITHERM** anti-scalding failsafe: immediate shut-off if cold water supply fails
- **Securitouch** hot water insulation: prevents any risk of burns when touching the mixer
- **Ergonomics**: controls are easy to grip, suitable for hospital patients, children, the elderly and disabled people
- **Water savings**: 50%

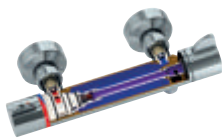
### SECURITHERM auto-draining shower kit

With Securitouch dual control thermostatic mixer

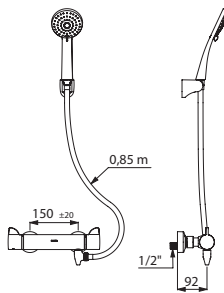


Shower kit with auto-draining device includes:

- **Dual control mixer with** scale-resistant **thermostatic cartridge**:
  - **Anti-scalding failsafe**: immediate shut-off if cold water supply fails.
  - **Securitouch thermal insulation prevents burns**.
  - Temperature control: 25 - 41°C.
  - **Double temperature limiter**: 1<sup>st</sup> limiter set at 38°C, 2<sup>nd</sup> limiter set at 41°C. **Thermal shocks are possible.**
  - **Flow rate regulated at 9 lpm.**
  - ERGO control knobs.
  - M<sup>1</sup>/<sub>2</sub>" shower outlet.
  - M<sup>3</sup>/<sub>4</sub>" inlets with integrated filters and non-return valves.
- Shower head with flexible hose and chrome-plated, wall-mounted tilting support.
- **Auto-draining device** FM<sup>1</sup>/<sub>2</sub>" automatically drains the flexible and shower head (see page 152).



Thermal insulation



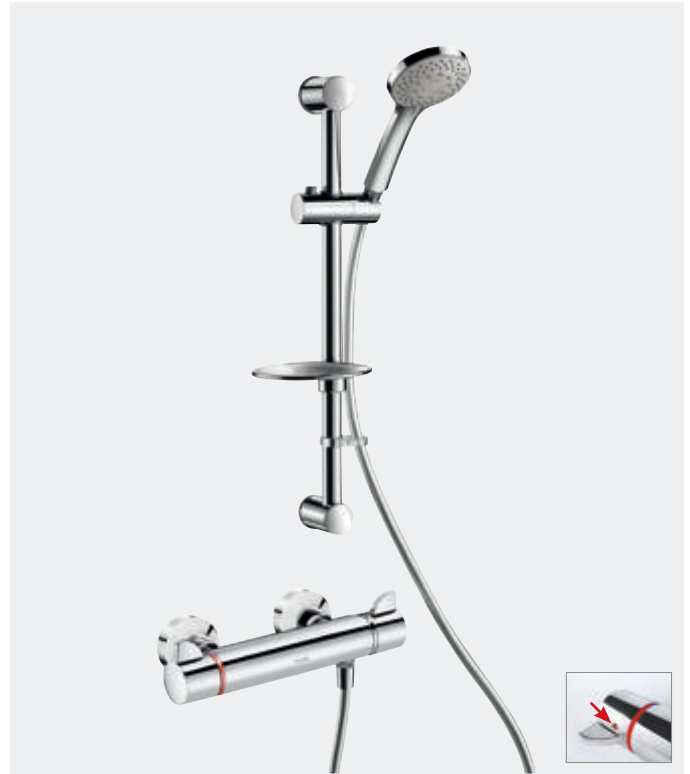
H9741HYG

SECURITHERM Securitouch auto-draining shower kit	
Offset STOP/CHECK connectors	<b>H9741HYG</b>
Offset standard connectors	<b>H9741SHYG</b>

**Options:** BIOFIL shower head with integrated filter (see page 150)  
 Soap dishes (see page 154), floor traps (see page 155)  
 Other connectors available (see page 152)

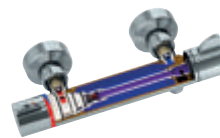
### SECURITHERM shower kit

With Securitouch dual control thermostatic mixer

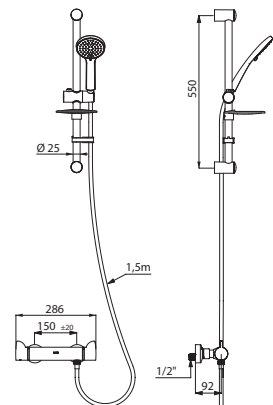


Shower kit includes:

- **Dual control mixer with** scale-resistant **thermostatic cartridge**:
  - **Anti-scalding failsafe**: immediate shut-off if cold water supply fails.
  - **Securitouch thermal insulation prevents burns**.
  - Temperature control: 25 - 41°C.
  - **Double temperature limiter**: 1<sup>st</sup> limiter set at 38°C, 2<sup>nd</sup> limiter set at 41°C. **Thermal shocks are possible.**
  - **Flow rate regulated at 9 lpm.**
  - ERGO control knobs.
  - M<sup>1</sup>/<sub>2</sub>" shower outlet.
  - M<sup>3</sup>/<sub>4</sub>" inlets with integrated filters and non-return valves.
- Sliding shower head on a chrome-plated rail with flexible hose and soap dish.
- **Shower hose retaining collar.**



Thermal insulation



H9741KIT

SECURITHERM Securitouch shower kit	
Offset STOP/CHECK connectors	<b>H9741KIT</b>
Offset standard connectors	<b>H9741SKIT</b>

**Options:** BIOFIL shower head with integrated filter (see page 150)  
 Auto-draining device (see page 152), floor traps (see page 155)  
 Other connectors available (see page 152)

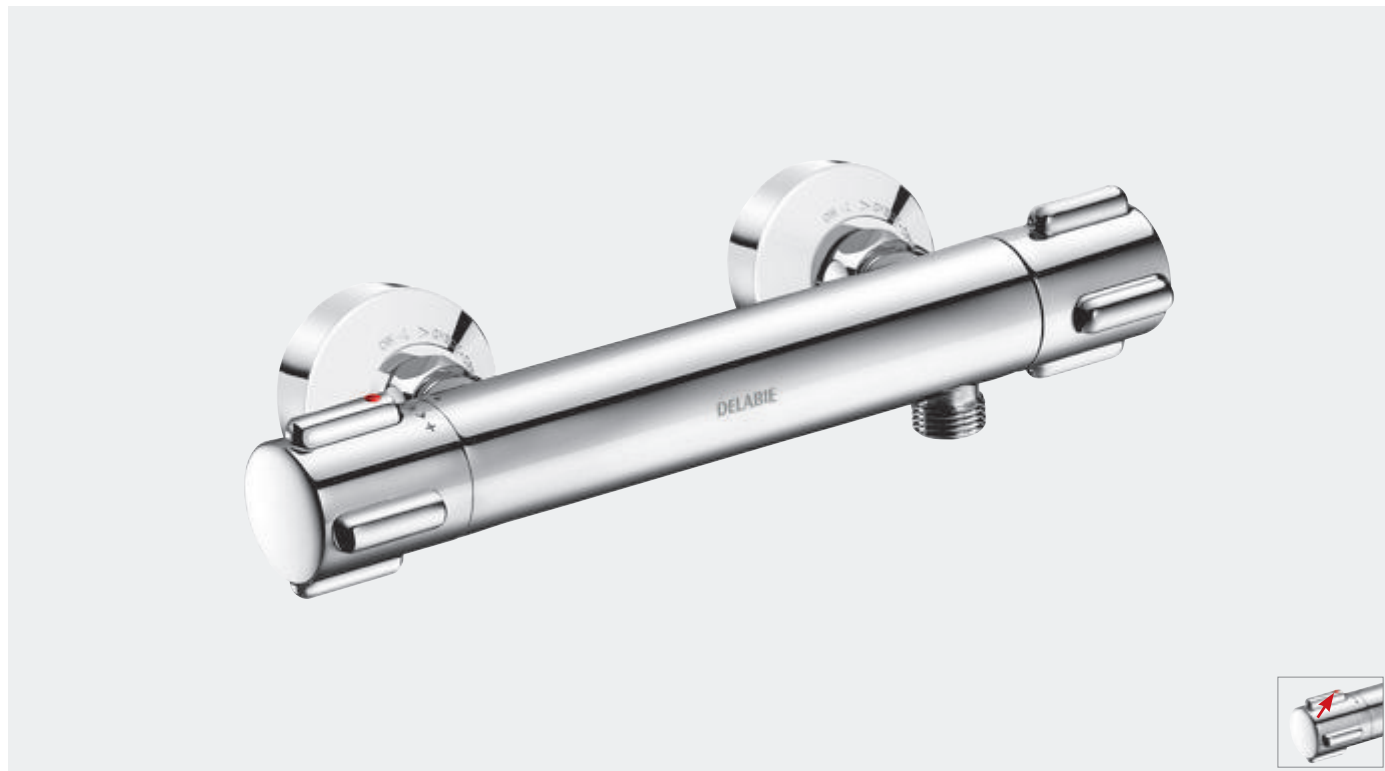
## DELABIE / SECURITHERM dual control thermostatic mixers



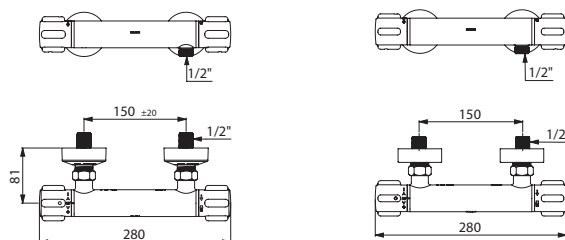
- **SECURITHERM** anti-scalding failsafe: immediate shut-off if cold water supply fails
- **Ergonomics**: controls are easy to grip, suitable for hospital patients, children, the elderly and disabled people
- **Water savings**: 50%

### SECURITHERM shower

Dual control thermostatic mixer



- **Anti-scalding failsafe**: immediate shut-off if cold water supply fails.
- Scale-resistant **thermostatic cartridge** for adjusting the temperature.
- ¼-turn ceramic head for adjusting the flow rate.
- Temperature control: 25 - 40°C.
- **Maximum temperature limiter** set at 38°C.
- **Thermal shocks are possible** without removing the control knob or shutting off the cold water supply (see page 13).
- **Flow rate regulated at 9 lpm.**
- CLASSIC controls knobs.
- M½" shower outlet.
- M¾" inlets with integrated filters and non-return valves.
- Supplied with 2 offset wall connectors M½" M¾" (see page 152).



H9739

H9739S

SECURITHERM shower	
STOP/CHECK connectors	<b>H9739</b>
Standard connectors	<b>H9739S</b>

**Options:** auto-draining device (see page 152)  
 Hydrotherapy accessories (see pages 149-151)  
 Other connectors available (see page 152)



- **SECURITHERM** anti-scalding failsafe: immediate shut-off if cold water supply fails
- **Ergonomics:** controls are easy to grip, suitable for hospital patients, children, the elderly and disabled people
- **Water savings:** 50%

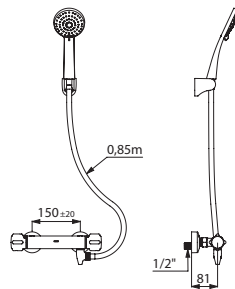
### SECURITHERM auto-draining shower kit

With dual control thermostatic mixer



Shower kit with auto-draining device includes:

- **Dual control mixer with** scale-resistant **thermostatic cartridge:**
  - **Anti-scalding failsafe:** immediate shut-off if cold water supply fails.
  - Temperature control: 25 - 40°C.
  - **Maximum temperature limiter** set at 38°C.
  - **Thermal shocks are possible.**
  - **Flow rate regulated at 9 lpm.**
  - CLASSIC control knobs.
  - M $\frac{1}{2}$ " shower outlet.
  - M $\frac{3}{4}$ " inlets with integrated filters and non-return valves.
- Shower head with flexible hose and chrome-plated, wall-mounted tilting support.
- **Auto-draining device** FM $\frac{1}{2}$ " automatically drains the flexible and shower head (see page 152).



H9739HYG

SECURITHERM auto-draining shower kit	
Offset STOP/CHECK connectors	<b>H9739HYG</b>
Offset standard connectors	<b>H9739SHYG</b>

**Options:** BIOFIL shower head with integrated filter (see page 150)  
 Soap dishes (see page 154), floor traps (see page 155)  
 Other connectors available (see page 152)

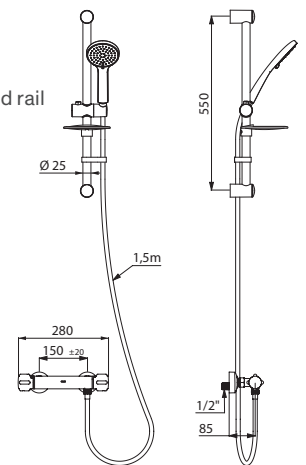
### SECURITHERM shower kit

With dual control thermostatic mixer



Shower kit includes:

- **Dual control mixer with** scale-resistant **thermostatic cartridge:**
  - **Anti-scalding failsafe:** immediate shut-off if cold water supply fails.
  - Temperature control: 25 - 40°C.
  - **Maximum temperature limiter** set at 38°C.
  - **Thermal shocks are possible.**
  - **Flow rate regulated at 9 lpm.**
  - CLASSIC control knobs.
  - M $\frac{1}{2}$ " shower outlet.
  - M $\frac{3}{4}$ " inlets with integrated filters and non-return valves.
- Sliding shower head on a chrome-plated rail with flexible hose and soap dish.
- **Shower hose retaining collar.**



H9739KIT

SECURITHERM shower kit	
Offset STOP/CHECK connectors	<b>H9739KIT</b>
Offset standard connectors	<b>H9739SKIT</b>

**Options:** BIOFIL shower head with integrated filter (see page 150)  
 Auto-draining device (see page 152), floor traps (see page 155)  
 Other connectors available (see page 152)





## BIOSAFE: INFECTION CONTROL

### Electronic shower panels

- **Opens/closes automatically, with no manual contact**  
DELABIE's electronic shower panels are operated by active infrared detection. Flow opens/shuts off when the detector senses hands.  
**No manual contact prevents the spread of germs.**
- **Anti-bacterial duty flush programme**  
DELABIE's electronic shower panels have a duty flush programme.  
**An automatic flush takes place for approximately 60 seconds every 24 hours after the last use.**
- **Reduced-stagnation solenoid valve**  
Most solenoid valves are fitted with a rubber membrane behind which water stagnates and is not renewed. This can lead to bacterial proliferation. DELABIE has developed a technology without a membrane (patented system).  
With this **piston-operated solenoid valve**, water is drained and renewed with every use which **reduces niches where bacteria can develop.**

### Time flow shower panels

- **Automatic timed shut-off, with no manual contact**  
DELABIE's time flow shower panels shut off automatically once the push-button has been pressed and the valve has opened.  
**No manual contact after washing prevents the spread of germs by hand.**

### Sequential shower panels

- **Open and closing on cold water, with hygiene control lever**  
Open and closing using the lever enables control without manual contact (using wrist, elbows...).
- **No non-return valves**  
**SHW/SCW cross flow is impossible**  
DELABIE has developed a unique system that enables **sequential thermostatic shower panels to close on Hot Water and Cold Water directly at the inlets**, making non-return valves completely redundant.  
The risk of cross flow, often responsible for bacterial development, is therefore eliminated.

### Scale-resistant shower head

The nozzle in the shower head is made from **Hostaform®**, a material that is highly scale-resistant (build-up of scale is 10 times slower).  
The design, with no grid, allows the shower head to **drain the water after use, preventing the spread of germs.**

### Thermal shocks

With **SECURITHERM** technology, it is possible to undertake thermal shocks without removing the panel.

*For more information see page 13.*

## 80% WATER AND ENERGY SAVINGS

### Water savings

Compared to conventional showers, DELABIE's SECURITHERM shower panels can offer maximum water savings. They ensure the manager's water bills can be reduced whilst preserving user comfort.

- **Automatic shut-off and split delivery**
  - For electronic models:  
The shower can be interrupted at any moment by the user. If the user forgets, **a security shut-off** stops the flow after 60 seconds. This removes the risk of waste through negligence. The flow time is reduced to the necessary minimum (wetting, rinsing).
  - For time flow models:  
**The time flow is automatic and shuts off after approximately 30 seconds of flow.**
- **Flow rate 6 lpm**  
DELABIE's SECURITHERM shower panels are regulated at **6 lpm**. The **flow rate remains constant** regardless of pressure variations in the system.

### Energy savings

- For electronic models: DELABIE's electronic shower panels do not require much energy to operate. DELABIE has chosen infrared active pulse technology, **a low-power consumption solution**. The infrared beam is emitted intermittently, saving energy while ensuring effective detection. The batteries have an average lifespan of **350,000 cycles** (i.e. 3 - 6 years) depending on the frequency of use. The Lithium batteries are widely available, affordable and recyclable. The significant **hot water savings** provided by DELABIE's shower panels also result in energy savings.
- For time flow models:  
DELABIE's SECURITHERM time flow panels operate completely autonomously with no need for an electrical supply.  
They **do not consume any power at all.**

### Environmental labels

The water and energy saving performance of DELABIE's shower panels means that the buildings achieve the highest performance standards for international rating schemes such as LEED, BREEAM, HQE or ESTIDAMA.

*For more information see pages 16-17.*



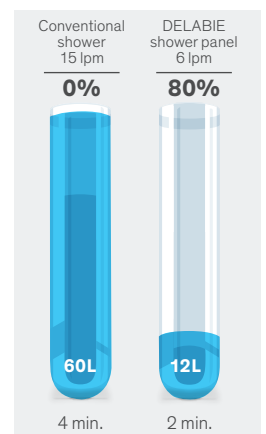
Reduced-stagnation solenoid valve



Optimised time flow



Water nozzle with no grid



Water savings per use



Anti-scalding failsafe



Comfortable spray



Choice of sizes and finishes



Vandal-resistant

## TECHNICAL SOLUTIONS SUITABLE FOR ALL CONSTRAINTS

### Comfortable to use

- **Electronic SECURITHERM with ON/OFF mode: activation with no manual contact**

Electronic detection allows all users (children, the elderly or people with reduced mobility) to use the shower with no effort required. Voluntary activation and closure, with no manual contact, provide perfect hygiene.

- **SECURITHERM time flow panels with Soft technology: soft-touch operation**

DELABIE has developed time flow controls with **soft-touch operation**. Soft technology allows all users (children, the elderly or people with reduced mobility) to use the showers with no effort required. **TEMPOSOFT** panels are fitted with a priming system that requires half the effort to operate ensuring user comfort.

- **SECURITHERM sequential panels**

**The same lateral movement** opens the water flow and adjusts the temperature.

### Temperature selection and stability

The users can choose their desired water temperature by adjusting the single control. **SECURITHERM thermostatic** shower panels provide additional comfort by regulating water temperature, even with variations in pressure.

### Anti-scalding failsafe

- **Maximum temperature limiter**

DELABIE's mixers are delivered with a **pre-set maximum temperature limiter**, which can be adjusted during installation. The user cannot increase the temperature above the maximum set temperature, reducing any risk of scalding.

- **Anti-scalding failsafe**

**SECURITHERM thermostatic** technology ensures that the hot water supply **shuts off immediately** if the cold water supply fails (and vice versa).

### Comfortable spray

The specially designed nozzle delivers a **comfortable spray** which provides **effective** coverage and a reduced noise level. The spray can be **adjusted**.

### Types of supply

The shower panels are available with **top inlet** (via stopcocks) or **concealed inlet** (via flexibles).

### Sizes and finishes

DELABIE's shower panels are available in two different finishes: **aluminium** H. 1.0m, W. 21cm and **stainless steel** H. 1.20m, W. 25cm. The large models are ideal for hiding the traces of previous recessed installations.

## DESIGNED SPECIFICALLY FOR PUBLIC PLACES

### Resistance to intensive use and vandalism

DELABIE's shower panels are specifically designed to withstand intensive use and vandalism, both voluntary and involuntary.

The panels are made from **durable and resistant materials** whilst the controls and shower heads are made from chrome-plated solid brass.

The mechanisms and sensors on electronic models are **shock-resistant**. The panel **fixings** are **reinforced** and **concealed**.

The ends are concealed to make the back of the panel inaccessible. **Streamlined designs** discourage attempts at vandalism.

To prevent abuse and waste, the **security shut-off** system on electronic models prevents the valve from being blocked in continuous flow.

### Superior endurance

DELABIE's shower panel systems are hard-wearing. The piston-operated solenoid valve on electronic models is self-cleaning, as is the hydraulic time flow system with calibrated groove on time flow models which extends their lifespans to over **500,000 operations**.

DELABIE's controls perform to the highest standards. Each model is subjected to endurance tests under extreme conditions in endurance laboratories.

### Minimal servicing

Shower head nozzles and mechanisms are made from **scale-resistant materials** (Hostaform®) and do not require de-scaling.

The self-cleaning mechanisms of time flow models are protected by filters.

### Simple to maintain

The **spare parts** are **standardised** to ensure quick and easy replacement by maintenance staff.

Access to the battery on electronic models and mixer cartridge is **from the front, without having to remove the panel**.

### Easy to install

The shower panels are delivered ready to mount and are quick to install.

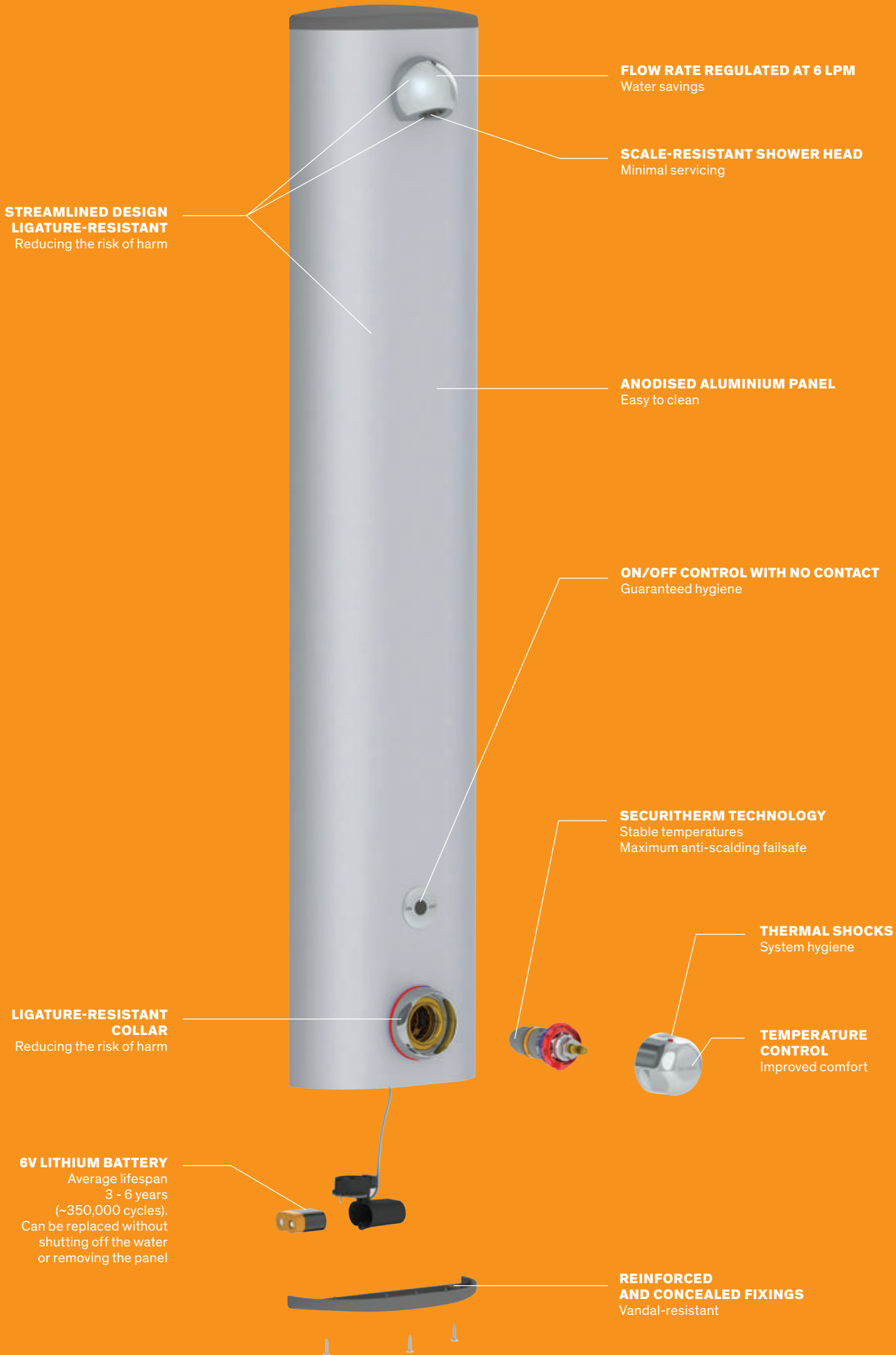
### Reliable presence detection

DELABIE has chosen the most reliable detection system for electronic models: **infrared active pulse**. It cannot be adjusted or affected by variations in light levels.

### CE marked

DELABIE's electronic controls are compliant with European directives CEM 2014/30/UE and BT 2014/35/UE.

**10-year warranty** against any manufacturing defects.



**FLOW RATE REGULATED AT 6 LPM**  
Water savings

**SCALE-RESISTANT SHOWER HEAD**  
Minimal servicing

**STREAMLINED DESIGN  
LIGATURE-RESISTANT**  
Reducing the risk of harm

**ANODISED ALUMINIUM PANEL**  
Easy to clean

**ON/OFF CONTROL WITH NO CONTACT**  
Guaranteed hygiene

**SECURITHERM TECHNOLOGY**  
Stable temperatures  
Maximum anti-scalding failsafe

**THERMAL SHOCKS**  
System hygiene

**TEMPERATURE CONTROL**  
Improved comfort

**LIGATURE-RESISTANT COLLAR**  
Reducing the risk of harm

**6V LITHIUM BATTERY**  
Average lifespan  
3 - 6 years  
(~350,000 cycles).  
Can be replaced without  
shutting off the water  
or removing the panel

**REINFORCED  
AND CONCEALED FIXINGS**  
Vandal-resistant



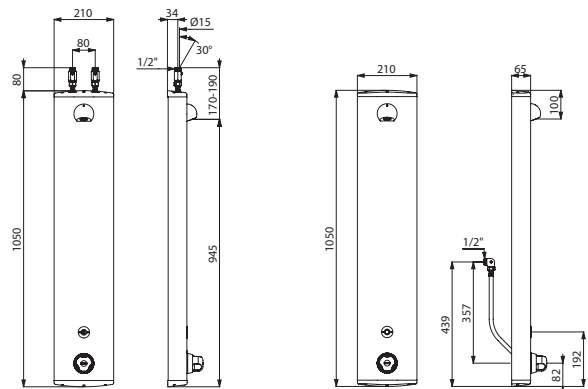
- **SECURITHERM** anti-scalding failsafe: automatic shut-off if cold water supply fails
- **BIOSAFE** infection control: no manual contact, anti-bacterial duty flush, scale-resistant shower head
- **Comfort**: temperature selection directly on the mixer, thermostatic control, voluntary or automatic shut-off
- **Water savings**: 80%

### SECURITHERM aluminium shower panel

With electronic thermostatic mixer



- Anodised aluminium shower panel for wall-mounted, exposed installation.
- **SECURITHERM thermostatic mixer.**
- Adjustable temperature control from cold water up to 38°C with 1<sup>st</sup> limiter set at 38°C and 2<sup>nd</sup> limiter set at 41°C (except for ref.s 79240015 and 792410UK: single temperature limiter set at 41°C).
- **Anti-scalding failsafe**: automatic shut-off if cold or hot water supply fails. Thermal shocks are possible.
- **Battery-operated with 223 6V Lithium battery.**
- Infrared presence detection. Shower starts when hand is moved towards the sensor (detection distance ~4cm).
- Shuts off voluntarily or automatically after ~60 seconds.
- **Duty flush** (~60 seconds every 24 hours after the last use).
- **Flow rate 6 lpm** at 3 bar.
- Chrome-plated, tamperproof, scale-resistant **ROUND shower head** with automatic flow rate regulation.
- Concealed fixings.
- Filters and non-return valves.



79240015

792410

SECURITHERM aluminium electronic shower panel	
Top inlet via in-line stopcocks M $\frac{1}{2}$ "	<b>792400</b>
Top inlet via in-line stopcocks Ø 15mm for compression fittings*	<b>79240015</b>
Concealed inlet via flexibles M $\frac{1}{2}$ "	<b>792410</b>
Concealed inlet via flexibles M $\frac{1}{2}$ " *	<b>792410UK</b>

\* single temperature limiter set at 41°C

**Option:** extension for shower panel available (see page 154)

We recommend installing a floor trap (see page 155)



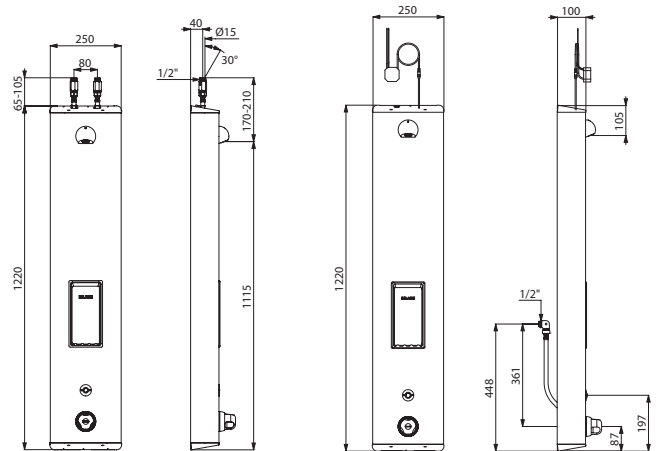
- **SECURITHERM** anti-scalding failsafe: automatic shut-off if cold water supply fails
- **BIOSAFE** infection control: no manual contact, anti-bacterial duty flush, scale-resistant shower head
- **Comfort**: temperature selection directly on the mixer, thermostatic control, voluntary or automatic shut-off
- **Water savings**: 80%

### SECURITHERM stainless steel shower panel

With electronic thermostatic mixer



- Large stainless steel shower panel for wall-mounted, exposed installation.
- **SECURITHERM thermostatic mixer.**
- Adjustable temperature control from cold water up to 38°C with 1<sup>st</sup> limiter set at 38°C and 2<sup>nd</sup> limiter set at 41°C (except for ref. 79240415: single temperature limiter set at 41°C).
- **Anti-scalding failsafe**: automatic shut-off if cold or hot water supply fails. Thermal shocks are possible.
- **Battery-operated with 223 6V Lithium battery** or **230/6V mains supply.**
- **To operate:**
  - Battery-operated: shower starts when hand is moved towards the sensor (detection distance ~4cm).
  - Mains supply: shower starts when electronic push-button is pressed.
- Shuts off voluntarily or automatically after ~60 seconds.
- **Duty flush** (~60 seconds every 24 hours after the last use).
- **Flow rate 6 lpm** at 3 bar.
- Chrome-plated, tamperproof, scale-resistant **ROUND shower head** with automatic flow rate regulation.
- Concealed fixings.
- Filters and non-return valves.
- Stopcocks.



79240415

792514

#### SECURITHERM stainless steel electronic shower panel

Top inlet via in-line stopcocks Ø15mm for compression fittings	
Battery-operated, with integrated soap dish*	<b>79240415</b>
Top inlet via in-line stopcocks M½"	
Mains supply, with integrated soap dish	<b>792504</b>
Battery-operated, with integrated soap dish	<b>792404</b>
Battery-operated, without soap dish	<b>792403</b>
Concealed inlet via flexibles M½"	
Mains supply, with integrated soap dish	<b>792514</b>
Battery-operated, with integrated soap dish	<b>792414</b>
Battery-operated, without soap dish	<b>792413</b>

\* single temperature limiter set at 41°C

**Options:** stainless steel shower panel extension (see page 154)

For 10 lpm comfort nozzle add CF at the end of the reference (see page 145)

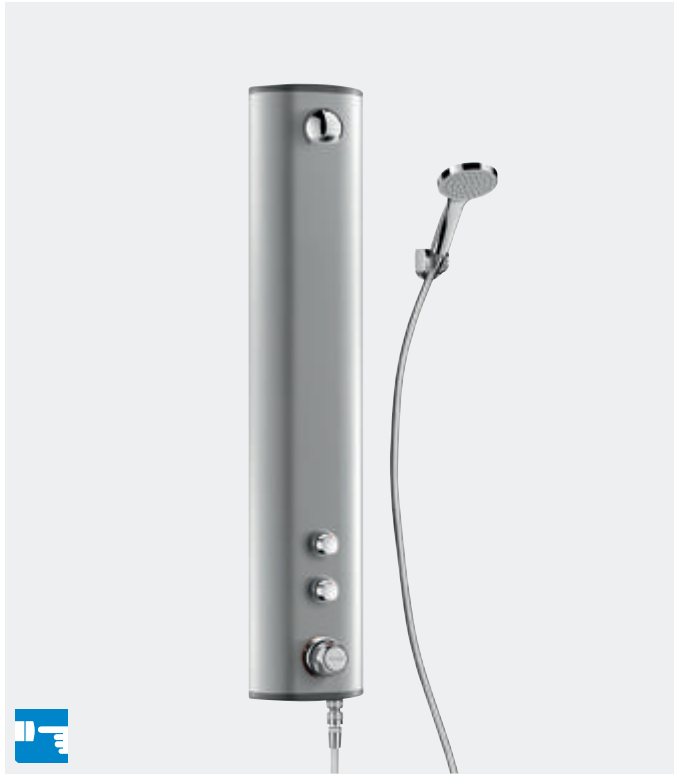
Floor traps (see page 155)



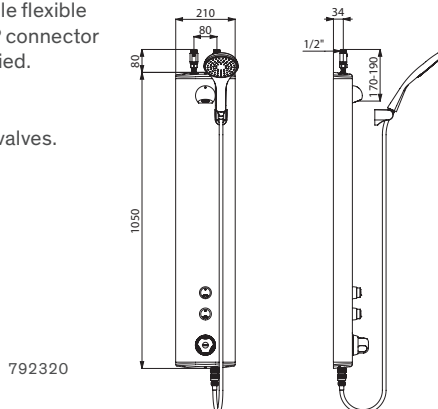
- **SECURITHERM** anti-scalding failsafe: automatic shut-off if cold water supply fails
- **Comfort:** temperature selection directly on the mixer, thermostatic control
- **Vandal-resistant:** aluminium shower panel, concealed fixings, solid brass shower head and shower valve
- **Water savings:** 80%

**SECURITHERM aluminium shower panel**

With dual control thermostatic mixer and handset



- Anodised aluminium shower panel for wall-mounted, exposed installation.
- **SECURITHERM thermostatic mixer.**
- Adjustable temperature control from cold water up to 38°C; with 1<sup>st</sup> limiter set at 38°C and 2<sup>nd</sup> limiter set at 41°C.
- **Anti-scalding failsafe:** automatic shut-off if cold or hot water supply fails.
- Thermal shocks are possible.
- **Time flow valve ~30 seconds with soft-touch operation.**
- Chrome-plated, tamperproof, scale-resistant **ROUND shower head** with automatic flow rate regulation at **6 lpm** at 3 bar.
- **Handset** with removable flexible via rapid push-fit STOP connector and wall support supplied.
- M $\frac{1}{2}$ " connections.
- Concealed fixings.
- Filters and non-return valves.



792320

**SECURITHERM aluminium dual control time flow shower panel**

Top inlet via in-line stopcocks	<b>792320</b>
Concealed inlet via flexibles	<b>792330</b>

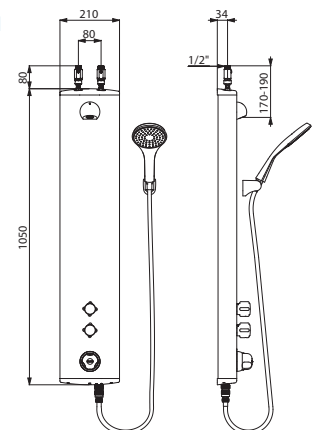
**Options:** extension (see page 154), floor traps (see page 155)

**SECURITHERM aluminium shower panel**

With dual control thermostatic mixer and handset



- Anodised aluminium shower panel for wall-mounted, exposed installation.
- **SECURITHERM thermostatic mixer.**
- Adjustable temperature control from cold water up to 38°C; with 1<sup>st</sup> limiter set at 38°C and 2<sup>nd</sup> limiter set at 41°C (except for ref. 79239015: single temperature limiter set at 41°C).
- **Anti-scalding failsafe:** automatic shut-off if cold or hot water supply fails.
- Thermal shocks are possible.
- **Non-time flow ¼-turn valves** to control the **ROUND shower head** and the handset.
- Chrome-plated, tamperproof, scale-resistant, **ROUND shower head** with automatic flow rate regulation at **6 lpm** at 3 bar.
- **Handset** with removable flexible via rapid push-fit STOP connector and wall support supplied.
- Concealed fixings.
- Filters and non-return valves.



792390

**SECURITHERM aluminium non-time flow dual control shower panel**

Top inlet via in-line stopcocks M $\frac{1}{2}$ "	<b>792390</b>
Top inlet via in-line stopcocks Ø 15mm for compression fittings*	<b>79239015</b>
Concealed inlet via flexibles M $\frac{1}{2}$ "	<b>792380</b>

\* single temperature limiter set at 41°C

**Options:** extension (see page 154), floor traps (see page 155)



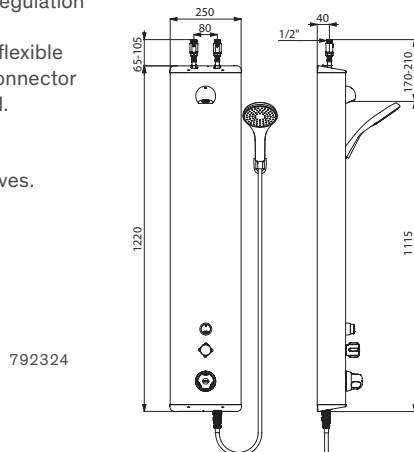
- **SECURITHERM** anti-scalding failsafe: automatic shut-off if cold water supply fails
- **Comfort:** temperature selection directly on the mixer, thermostatic control
- **Vandal-resistant:** stainless steel shower panel, concealed fixings, solid brass shower head and shower valve
- **Water savings:** 80%

### SECURITHERM stainless steel shower panel

With dual control thermostatic mixer and handset



- Large stainless steel shower panel for wall-mounted, exposed installation.
- **SECURITHERM thermostatic mixer.**
- Adjustable temperature control from cold water up to 38°C; with 1<sup>st</sup> limiter set at 38°C and 2<sup>nd</sup> limiter set at 41°C.
- **Anti-scalding failsafe:** automatic shut-off if cold or hot water supply fails.
- **Time flow valve ~30 seconds with soft-touch operation** to control the ROUND shower head and **non-time flow ¼-turn valve** to control the handset.
- Thermal shocks are possible thanks to the non-time flow valve.
- Chrome-plated, tamperproof, scale-resistant **ROUND shower head** with automatic flow rate regulation at **6 lpm** at 3 bar.
- **Handset** with removable flexible via rapid push-fit STOP connector and wall support supplied.
- M½" connections.
- Concealed fixings.
- Filters and non-return valves.
- Stopcocks.



792324

#### SECURITHERM stainless steel dual control time flow shower panel

Top inlet via in-line stopcocks	<b>792324</b>
Concealed inlet via flexibles	<b>792334</b>

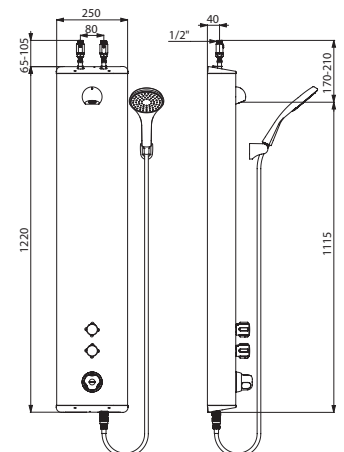
**Options:** extension (see page 154), floor traps (see page 155)

### SECURITHERM stainless steel shower panel

With dual control thermostatic mixer and handset



- Large stainless steel shower panel for wall-mounted, exposed installation.
- **SECURITHERM thermostatic mixer.**
- Adjustable temperature control from cold water up to 38°C; with 1<sup>st</sup> limiter set at 38°C and 2<sup>nd</sup> limiter set at 41°C.
- **Anti-scalding failsafe:** automatic shut-off if cold or hot water supply fails.
- Thermal shocks are possible.
- **Non-time flow valves** to control the ROUND shower head and the handset.
- Chrome-plated, tamperproof, scale-resistant **ROUND shower head** with automatic flow rate regulation at **6 lpm** at 3 bar.
- **Handset** with removable flexible via rapid push-fit STOP connector and wall support supplied.
- M½" connections.
- Concealed fixings.
- Filters and non-return valves.
- Stopcocks.



792344

#### SECURITHERM stainless steel non-time flow dual control shower panel

Top inlet via in-line stopcocks	<b>792344</b>
Concealed inlet via flexibles	<b>792354</b>

**Options:** extension (see page 154), floor traps (see page 155)



SECURITHERM sequential thermostatic shower panel **H9636** - Comfort lift-up shower seat with backrest **510434**  
L-shaped grab bar **5070DP2** - Floor trap **683001**





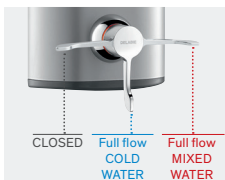
- **SECURITHERM** anti-scalding failsafe: automatic shut-off if cold water supply fails, opens on cold water
- **Comfort:** temperature selection directly on the mixer, thermostatic control
- **Vandal-resistant:** aluminium shower panel, concealed fixings, solid brass shower head and shower valve

### SECURITHERM aluminium shower panel

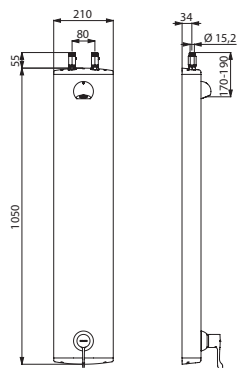
With sequential mixer and fixed shower head



- Anodised aluminium shower panel for wall-mounted, exposed installation.
- **SECURITHERM sequential thermostatic mixer** (non-time flow).
- Adjustable temperature control from cold water up to 39°C; maximum temperature limiter set at 39°C, can be adjusted.
- **Anti-scalding failsafe:** automatic shut-off if cold or hot water supply fails.
- Thermal shocks are possible.
- Chrome-plated, tamperproof, scale-resistant **ROUND shower head** with automatic flow rate regulation at **6 lpm** at 3 bar.
- Hygiene control lever L. 100mm.
- Concealed fixings.
- Filters.



Sequential open and closing



H963915

#### SECURITHERM aluminium sequential shower panel with fixed shower head

##### Top inlet via in-line stopcocks

Ø 15mm for compression fittings and copper tails	<b>H963915</b>
M½" with flexibles	<b>H9639</b>

##### Concealed inlet via flexibles

M½" with flexibles	<b>H9634</b>
--------------------	--------------

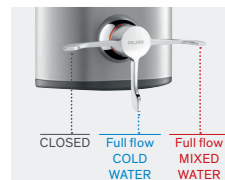
**Options:** extension (see page 154), floor traps (see page 155)

### SECURITHERM aluminium shower panel

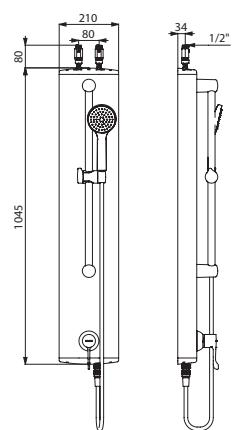
With sequential mixer and handset



- Anodised aluminium shower panel for wall-mounted, exposed installation.
- **SECURITHERM sequential thermostatic mixer** (non-time flow).
- Adjustable temperature from cold water up to 39°C; maximum temperature limiter set at 39°C, can be adjusted.
- **Anti-scalding failsafe:** automatic shut-off if cold or hot water supply fails.
- Thermal shocks are possible.
- **Flow rate 9 lpm** at 3 bar.
- **Sliding handset** on a chrome-plated rail with removable flexible hose via rapid push-fit STOP connector.
- Hygiene control lever L. 100mm.
- Concealed fixings.
- Filters.



Sequential open and closing



H9636

#### SECURITHERM aluminium sequential shower panel with handset

##### Top inlet via in-line stopcocks

Ø 15mm for compression fittings and copper tails	<b>H963615</b>
M½" with flexibles	<b>H9636</b>

##### Concealed inlet via flexibles

M½" with flexibles	<b>H9635</b>
--------------------	--------------

**Options:** extension (see page 154), floor traps (see page 155)



## SECURITHERM: OPTIMISED ANTI-SCALDING SAFETY

### Automatic anti-scalding safety

SECURITHERM pressure-balancing technology, known as "EP", ensures instant and automatic safety. **If the Cold Water supply fails, the Hot Water flow rate is reduced, removing the risk of scalding for the user.** If the Hot Water supply fails, the Cold Water flow rate is likewise reduced.

This avoids the risk of a cold shower which may result in a loss of balance or a fall.

### Maximum temperature limiter

All DELABIE's mixers are supplied with a **pre-set maximum temperature limiter**. The user cannot increase the temperature above the maximum set temperature, reducing the risk of scalding.

### Pressure-balancing

The EP cartridge **compensates for the unavoidable variations in pressure in the system** (draw off at other outlets in the system, etc.) ensuring that the water temperature at the outlet remains constant.

The EP cartridge also removes the need for pressure regulators upstream of the mixer, which are complex and have large cavities and several membranes which are an additional source of niches where microbes can develop.

## SECURITOUCH TECHNOLOGY: 100% SAFETY

DELABIE has placed an increased emphasis on safety to ensure superior comfort thanks to the new generation of Securitouch mixers.

The interior of the 2739EP SECURITHERM mixers has been specifically designed to reduce any risk of burns. The hot water flows from the inlet to the cartridge via a narrow copper tube, avoiding all contact with the brass exterior walls of the mixer.

## COMFORT AND ERGONOMICS

### Pressure-balancing and temperature stability

By compensating for the variations in pressure between the Hot and Cold water supplies, SECURITHERM EP mixers provide users with a constant temperature, removing any risk of a cold shower or scalding.

#### A comparison of the behaviour of standard mechanical mixers and Pressure-balancing mixers based on pressure changes in the system:

	Mixed water temperature in relation to pressure variations of SHW/SCW		
	HW: 3 bar CW: 3 bar	HW: 3 bar CW: 2 bar	HW: 2 bar CW: 3 bar
Standard mechanical mixers	38°C	64°C	15.5°C
DELABIE's mechanical EP mixers refs 2739EP / 2539EP / 2239EP	38°C	37.7°C	38.2°C

Starting calibration = 38°C

### Ergonomic controls

Sculptured or solid control levers are easy to grip.

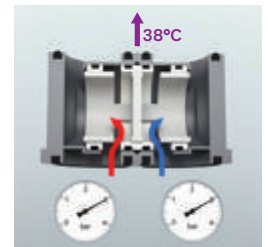
## 50% WATER AND ENERGY SAVINGS

### Flow rate regulated at 9 lpm

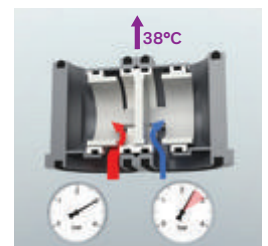
SECURITHERM EP shower mixers can achieve almost 50% water savings compared to other mixers (15 - 20 lpm). They are fitted with a flow rate regulator set at 9 lpm.

As such, water consumption is significantly reduced while ensuring maximum user comfort.

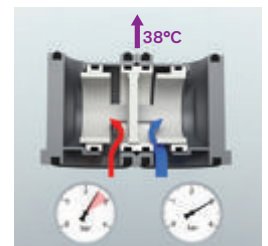
The principle of temperature regulation in an EP cartridge



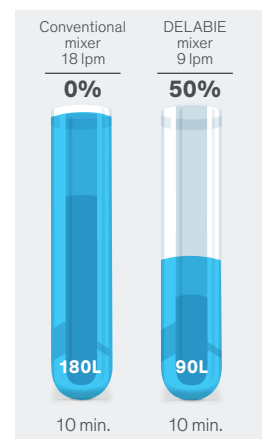
At 38°C: HW 3 bar/CW 3 bar



At 38°C: HW 3 bar/CW 2.5 bar



At 38°C: HW 2.5 bar/CW 3 bar



Water savings per use



## BIOSAFE: INFECTION CONTROL

Standing water in the mixer body and flexible shower hose at temperatures below 50°C is one of the factors that favour the development and multiplication of the microorganisms responsible for infections (*Legionella* spp., *Pseudomonas aeruginosa*, *Mycobacterium avium*, *Xenopi*, etc.).

The new generation of DELABIE's SECURITHERM pressure-balancing mechanical shower mixers offers simple and effective solutions to reduce bacterial development.

### Body with smooth interior

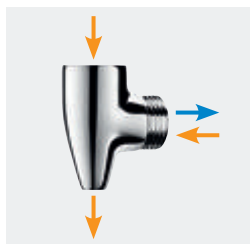
Most shower mixers have bodies with rough interiors. As a result, they provide niches where bacteria can adhere.

All the internal parts of DELABIE's 2739EP shower mixer bodies are completely smooth, reducing biofilm attachment and making it easier to treat.

For more information see page 10.



Body and tube with smooth interiors  
Low volume of standing water



Auto-draining device



### Low volume of standing water in the body

Unlike other mixers, the generation of 2739EP SECURITHERM mechanical shower mixers has specifically **designed interiors that reduce the volume of standing water in the body** and thus significantly reduce the risk of bacterial development. In effect, water flows from the inlets to the cartridge via narrow tubes which can only hold a limited volume of water.

Moreover, the speed with which the water passes through the narrow tubes prevents excessive biofilm development.

## AUTO-DRAINING DEVICE

### Auto-draining device

DELABIE recommends installing its auto-draining device (ref. 880) on all shower mixers.

**This device allows the shower head and flexible hose to drain automatically**, essential in the fight against bacterial proliferation.

To be fully effective, DELABIE recommends connecting the auto-draining device to a short flexible shower hose (ref. 834T3 or 836T3, page 151).

Auto-draining shower kits are also available.

They include a mixer fitted with an auto-draining device, a short flexible hose 0.85m long with a shower head fixed on a tilting wall-support.

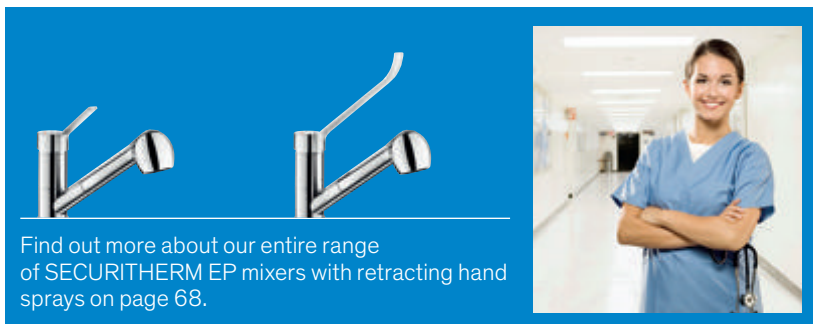
The latter ensures that the flexible hose is perfectly taut, avoiding standing water in the flexible hose loop.

## AND ALSO...

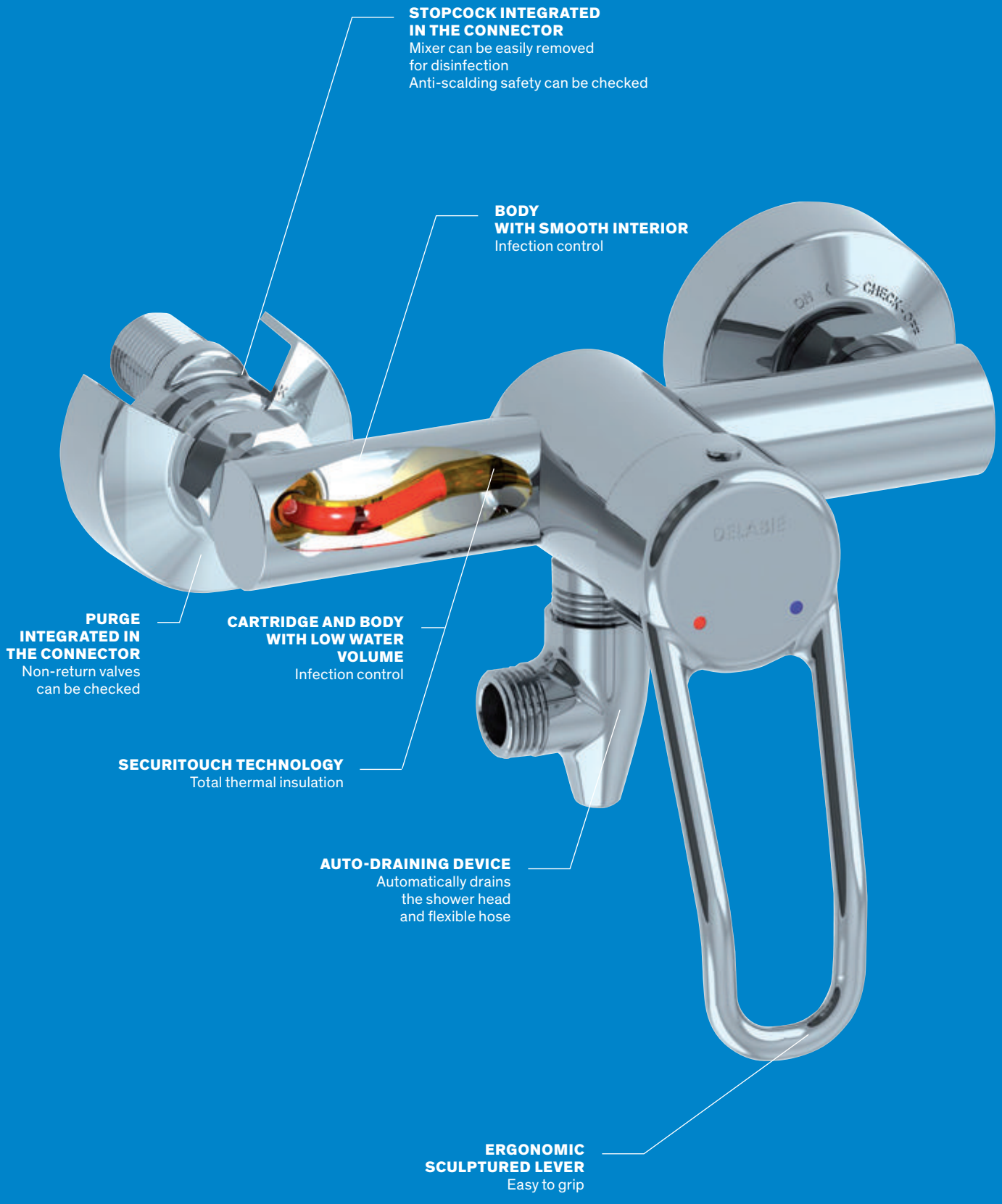
### Robust

Chrome-plated brass body.

**10-year warranty** against any manufacturing defects.



Find out more about our entire range of SECURITHERM EP mixers with retracting hand sprays on page 68.



**STOPCOCK INTEGRATED IN THE CONNECTOR**  
Mixer can be easily removed for disinfection  
Anti-scalding safety can be checked

**BODY WITH SMOOTH INTERIOR**  
Infection control

**PURGE INTEGRATED IN THE CONNECTOR**  
Non-return valves can be checked

**CARTRIDGE AND BODY WITH LOW WATER VOLUME**  
Infection control

**SECURITOUCH TECHNOLOGY**  
Total thermal insulation

**AUTO-DRAINING DEVICE**  
Automatically drains the shower head and flexible hose

**ERGONOMIC SCULPTURED LEVER**  
Easy to grip

## DELABIE / SECURITHERM mixers with Pressure-balancing



- **SECURITHERM EP** anti-scalding safety: hot water flow rate is reduced if cold water supply fails, pre-set maximum temperature limiter
- **Securitouch** hot water insulation: prevents any risk of burns when touching the mixer
- **BIOSAFE** infection control: body with smooth interior and low water volume
- **Water savings:** 50%

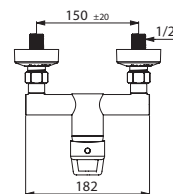
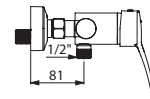
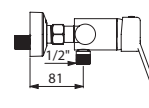
### SECURITHERM EP Securitouch shower

Pressure-balancing mixer

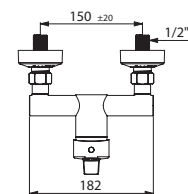


- **Anti-scalding safety:** HW flow rate is reduced if CW supply fails.
- **Securitouch thermal insulation prevents burns.**
- Ø 40mm **pressure-balancing** ceramic **cartridge.**
- Pre-set maximum **temperature limiter.**
- **Body with smooth interior and low water volume** (reduces bacterial development).
- **Flow rate regulated at 9 lpm.**
- M $\frac{1}{2}$ " shower outlet with integrated non-return valve.
- Supplied with 2 offset wall connectors M $\frac{1}{2}$ " M $\frac{3}{4}$ " (see page 152).

Also available with conventional cartridge (see page 140)



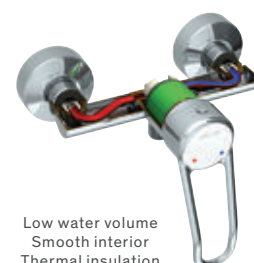
2739EP



2739TEP

SECURITHERM EP Securitouch shower	
<b>STOP/CHECK connectors</b>	
Sculptured control lever	<b>2739EP</b>
Solid control lever	<b>2739TEP</b>
<b>Standard connectors</b>	
Sculptured control lever	<b>2739EPS</b>
Solid control lever	<b>2739TEPS</b>

**Options:** auto-draining device (see page 152)  
 Hydrotherapy accessories (see pages 149-151)  
 BIOFIL shower head with integrated filter (see page 150)  
 Other connectors available (see page 152)



Low water volume  
 Smooth interior  
 Thermal insulation



- **SECURITHERM EP** anti-scalding safety: hot water flow rate is reduced if cold water supply fails, pre-set maximum temperature limiter
- **Securitouch** hot water insulation: prevents any risk of burns when touching the mixer
- **BIOSAFE** infection control: body with smooth interior and low water volume
- **Water savings:** 50%

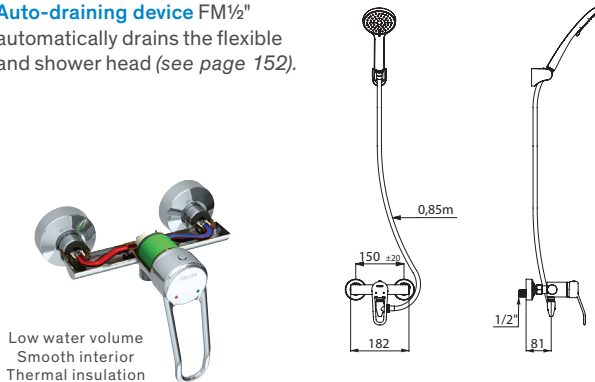
### SECURITHERM EP auto-draining shower kit

With Securitouch pressure-balancing mixer



Shower kit with auto-draining device includes:

- **Mixer** with Ø 40mm **pressure-balancing** ceramic cartridge:
  - **Anti-scalding safety:** HW flow rate is reduced if CW supply fails.
  - **Securitouch thermal insulation prevents burns.**
  - Pre-set maximum **temperature limiter.**
  - **Body with smooth interior and low water volume.**
  - **Flow rate regulated at 9 lpm.**
  - M1/2" shower outlet with integrated non-return valve.
- Shower head with flexible hose and chrome-plated, wall-mounted tilting support.
- **Auto-draining device** FM1/2" automatically drains the flexible and shower head (see page 152).



2739EPHYG

SECURITHERM EP Securitouch auto-draining shower kit	
STOP/CHECK connectors	<b>2739EPHYG</b>
Standard connectors	<b>2739EPSHYG</b>

**Options:** BIOFIL shower head with integrated filter (see page 150)  
 Soap dishes (see page 154), floor traps (see page 155)  
 Other connectors available (see page 152)

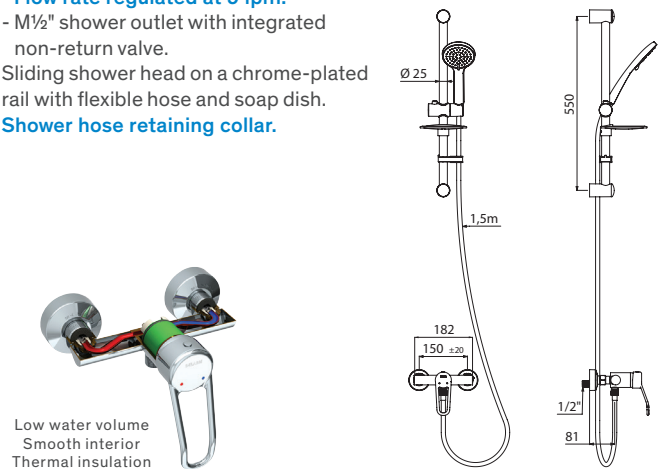
### SECURITHERM EP shower kit

With Securitouch pressure-balancing mixer



Shower kit includes:

- **Mixer** with Ø 40mm **pressure-balancing** ceramic cartridge:
  - **Anti-scalding safety:** HW flow rate is reduced if CW supply fails.
  - **Securitouch thermal insulation prevents burns.**
  - Pre-set maximum **temperature limiter.**
  - **Body with smooth interior and low water volume.**
  - **Flow rate regulated at 9 lpm.**
  - M1/2" shower outlet with integrated non-return valve.
- Sliding shower head on a chrome-plated rail with flexible hose and soap dish.
- **Shower hose retaining collar.**



2739EPKIT

SECURITHERM EP Securitouch shower kit	
STOP/CHECK connectors	<b>2739EPKIT</b>
Standard connectors	<b>2739EPSKIT</b>

**Options:** BIOFIL shower head with integrated filter (see page 150)  
 Auto-draining device (see page 152), floor traps (see page 155)  
 Other connectors available (see page 152)

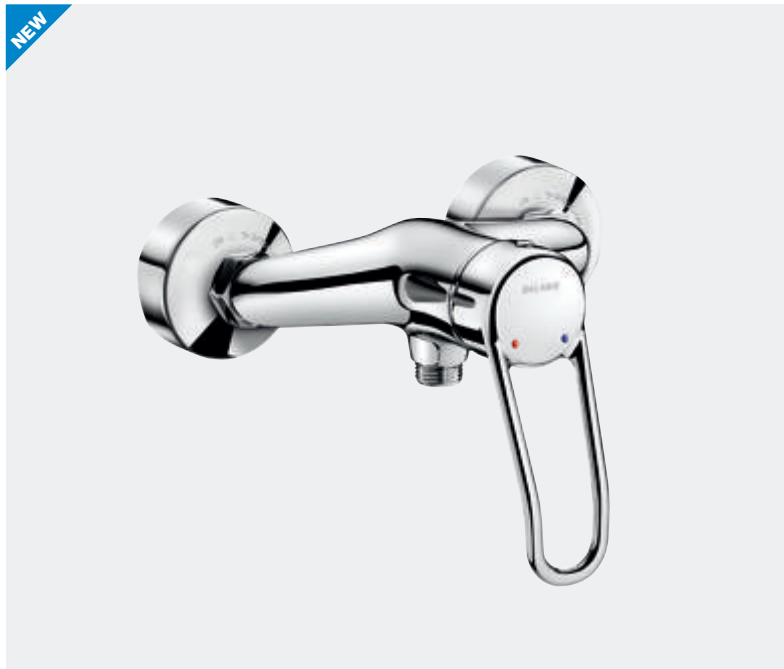
## DELABIE / SECURITHERM mixers with Pressure-balancing



- **SECURITHERM EP** anti-scalding safety: hot water flow rate is reduced if cold water supply fails, pre-set maximum temperature limiter
- **Ergonomics**: sculptured lever is easy to grip
- **Water savings**: 50%

### SECURITHERM EP shower

Pressure-balancing mixer



- **Anti-scalding safety**: HW flow rate is reduced if CW supply fails.
- Ø 40mm **pressure-balancing** ceramic **cartridge**.
- Pre-set maximum **temperature limiter**.
- **Flow rate regulated at 9 lpm**.
- Sculptured control lever.
- M $\frac{1}{2}$ " shower outlet with integrated non-return valve.
- Supplied with 2 offset wall connectors M $\frac{1}{2}$ " M $\frac{3}{4}$ " (see page 152).

Also available with conventional cartridge (see page 142)



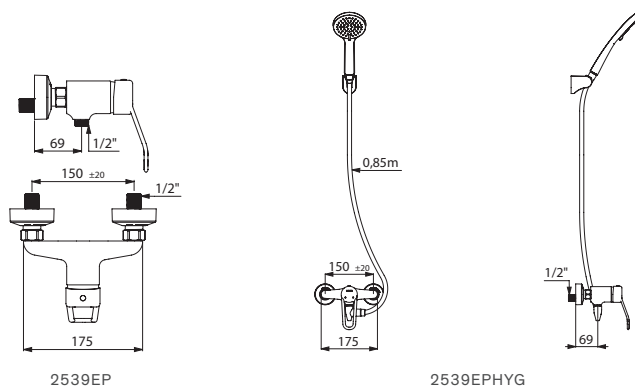
#### SECURITHERM EP shower kit with auto-draining device:

- Shower head with flexible hose and chrome-plated, wall-mounted tilting support.
- **Auto-draining device** FM $\frac{1}{2}$ " automatically drains the flexible and shower head (see page 152).



#### SECURITHERM EP shower kit:

- Sliding shower head on a chrome-plated rail with flexible hose and soap dish.
- **Shower hose retaining collar**.



SECURITHERM EP shower	
STOP/CHECK connectors	<b>2539EP</b>
Standard connectors	<b>2539EPS</b>

**Options:** auto-draining device (see page 152)  
 Hydrotherapy accessories (see pages 149-151)  
 BIOFIL shower head with integrated filter (see page 150)  
 Other connectors available (see page 152)

SECURITHERM EP shower kit	
<b>Auto-draining</b>	
STOP/CHECK connectors	<b>2539EPHYG</b>
Standard connectors	<b>2539EPSHYG</b>
<b>Standard</b>	
STOP/CHECK connectors	<b>2539EPKIT</b>
Standard connectors	<b>2539EPSKIT</b>

**Options:** BIOFIL shower head with integrated filter (see page 150)  
 Soap dishes (see page 154), floor traps (see page 155)  
 Other connectors available (see page 152)

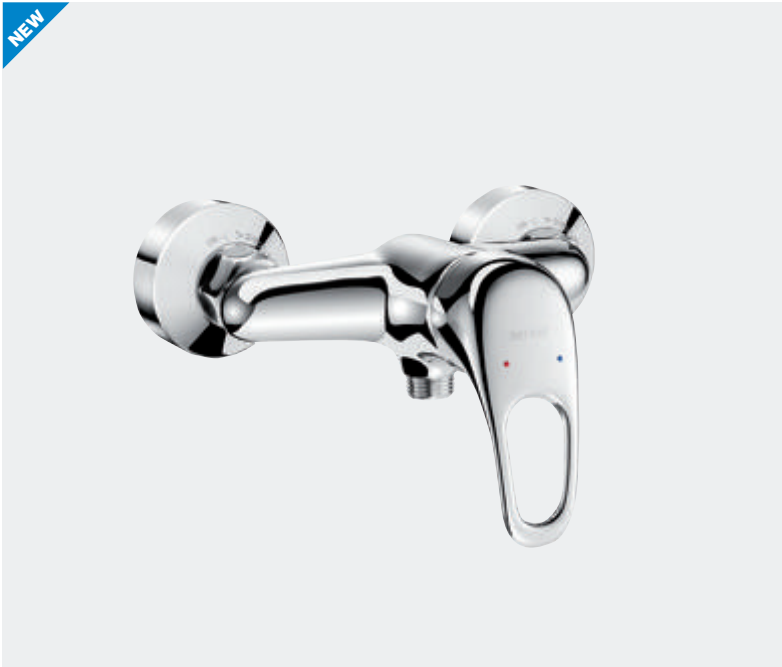




- **SECURITHERM EP** anti-scalding safety: hot water flow rate is reduced if cold water supply fails, pre-set maximum temperature limiter
- **Ergonomics:** sculptured lever is easy to grip
- **Water savings:** 50%

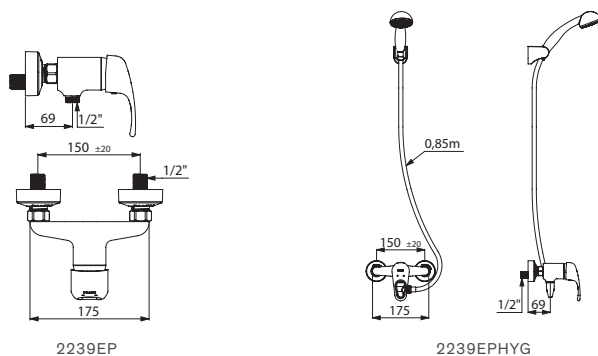
## SECURITHERM EP shower

Pressure-balancing mixer



- **Anti-scalding safety:** HW flow rate is reduced if CW supply fails.
- Ø 40mm **pressure-balancing ceramic cartridge.**
- Pre-set maximum **temperature limiter.**
- **Flow rate regulated at 9 lpm.**
- Sculptured control lever.
- M $\frac{1}{2}$ " shower outlet with integrated non-return valve.
- Supplied with 2 offset wall connectors M $\frac{1}{2}$ " M $\frac{3}{4}$ " (see page 152).

Also available with conventional cartridge (see page 142)



2239EP

2239EPHYG

### SECURITHERM EP shower

STOP/CHECK connectors	<b>2239EP</b>
Standard connectors	<b>2239EPS</b>

- Options:** auto-draining device (see page 152)  
 Hydrotherapy accessories (see pages 149-151)  
 BIOFIL shower head with integrated filter (see page 150)  
 Other connectors available (see page 152)



### SECURITHERM EP shower kit with auto-draining device:

- Shower head with flexible hose and chrome-plated, wall-mounted tilting support.
- **Auto-draining device** FM $\frac{1}{2}$ " automatically drains the flexible and shower head (see page 152).



### SECURITHERM EP shower kit:

- Sliding shower head on a chrome-plated rail with flexible hose and soap dish.

### SECURITHERM EP shower kit

Auto-draining	
STOP/CHECK connectors	<b>2239EPHYG</b>
Standard connectors	<b>2239EPSHYG</b>
Standard	
STOP/CHECK connectors	<b>2239EPKIT</b>
Standard connectors	<b>2239EPSKIT</b>

- Options:** BIOFIL shower head with integrated filter (see page 150)  
 Soap dishes (see page 154), floor traps (see page 155)  
 Other connectors available (see page 152)



# Mixers with ceramic cartridges for showers and baths

MIXERS FOR SHOWERS AND BATHS  
**140**

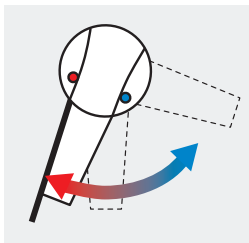


RECESSED SHOWER MIXERS  
**144**





Anti-scalding safety



Anti-scalding maximum temperature limiter



Securitouch technology: tube is insulated from the body of the mixer



No risk of burns

### ANTI-SCALDING SAFETY

#### Maximum temperature limiter

All DELABIE's mixers are supplied with a **pre-set maximum temperature limiter**. The user cannot increase the temperature above the maximum set temperature, reducing the risk of scalding.

### COMFORT

#### Temperature stability

Unlike conventional mechanical shower mixers, DELABIE's 2739 mixers are fitted with an exclusive solution which effectively reduces temperature variations if there are pressure variations in the system.

However, these mixers do not have the precision of SECURITHERM thermostatic or EP mixers and they are not fitted with an anti-scalding safety (Hot Water shut-off if the Cold Water supply fails). The 2739 mixers provide an intermediate economic solution.

#### Reduced risk of Hot Water/Cold Water cross flow

On the new generation of DELABIE's mechanical mixers, **the hot water can only flow back into the cold water supply (or vice versa) if the pressure differential between the inlets is greater than 1 bar**. Therefore, the risk of cross flow between the Hot Water and Cold Water is very small, unlike other mixers. As a result, the risk of bacterial proliferation is reduced. Moreover, **this solution removes the need for non-return valves to be installed**.

### SECURITOUCH TECHNOLOGY: 100% SAFETY

DELABIE has placed an increased emphasis on safety thanks to its new generation of Securitouch mixers. In general, bodies of shower mixers are made from chrome-plated brass. Since metal is an effective heat conductor, it is very easy for people to burn themselves even when only brushing against the surface of the mixer. This may be the case when someone slips or loses their balance in the shower.

The interior of DELABIE's 2739 mixers has been specifically designed to reduce any risk of burns. The hot water flows from the inlet to the cartridge via a narrow copper tube, avoiding all contact with the brass exterior walls of the mixer.

## BIOSAFE: INFECTION CONTROL

Standing water in the mixer body and flexible shower hose at temperatures below 50°C is one of the factors that favour the development and multiplication of the microorganisms responsible for infections (*Legionella* spp., *Pseudomonas aeruginosa*, *Mycobacterium avium*, *Xenopi*, etc.).

With the 2739 generation of mechanical shower mixers DELABIE offers simple and effective solutions to reduce bacterial development.

### Body with smooth interior

Most shower mixers have bodies with rough interiors. As a result, they provide niches where bacteria can adhere.

All the internal parts of DELABIE's 2739 shower mixers are completely smooth, reducing biofilm attachment and making it easier to treat.

For more information see page 10.

### Low volume of standing water in the body

Unlike other mixers, the 2739 generation of mechanical shower mixers has **specifically designed interiors that reduce the volume of standing water in the body** and thus significantly reduce the risk of bacterial development.

In effect, water flows from the inlets to the cartridge via narrow tubes which can only hold a limited volume of water.

## AUTO-DRAINING DEVICE

DELABIE recommends installing its auto-draining device (ref. 880) on all shower and shower-bath mixers. **This device allows the shower head and flexible hose to drain automatically**, essential in the fight against bacterial proliferation.

To be fully effective, DELABIE recommends connecting the auto-draining device to a short flexible shower hose (ref. 834T3 or 836T3, page 151).

Auto-draining shower kits are also available.

They include a mixer fitted with an auto-draining device, a short flexible hose 0.85m long with a shower head fixed on a tilting wall support.

The latter ensures that the flexible hose is perfectly taut, avoiding standing water in the flexible hose loop.

## 50% WATER AND ENERGY SAVINGS

### Flow rate regulated at 9 lpm

DELABIE's shower mixers can achieve almost 50% water savings compared to other mixers (15 - 20 lpm). They are fitted with a flow rate regulator set at 9 lpm. User comfort is optimised, while reducing water consumption.

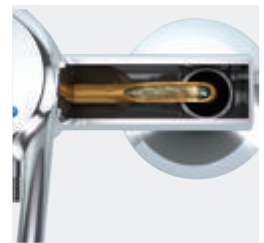
The water savings generated also allow energy savings, and less equipment is required: lower capacity pipework and water heating equipment can be installed. Lower water volumes in the installation mean a lower risk of bacterial proliferation.

## AND ALSO...

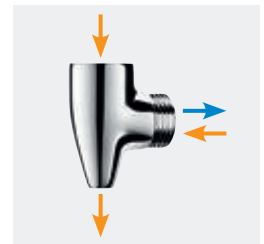
### Robust

Chrome-plated brass body.

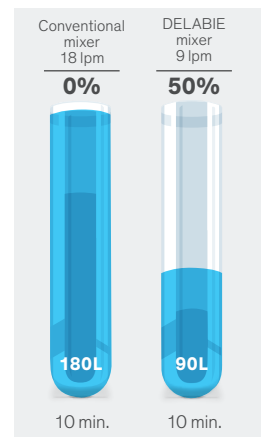
**10-year warranty** against any manufacturing defects.



Body and tubes with smooth interiors  
Low volume of standing water



Auto-draining device



Water savings per use

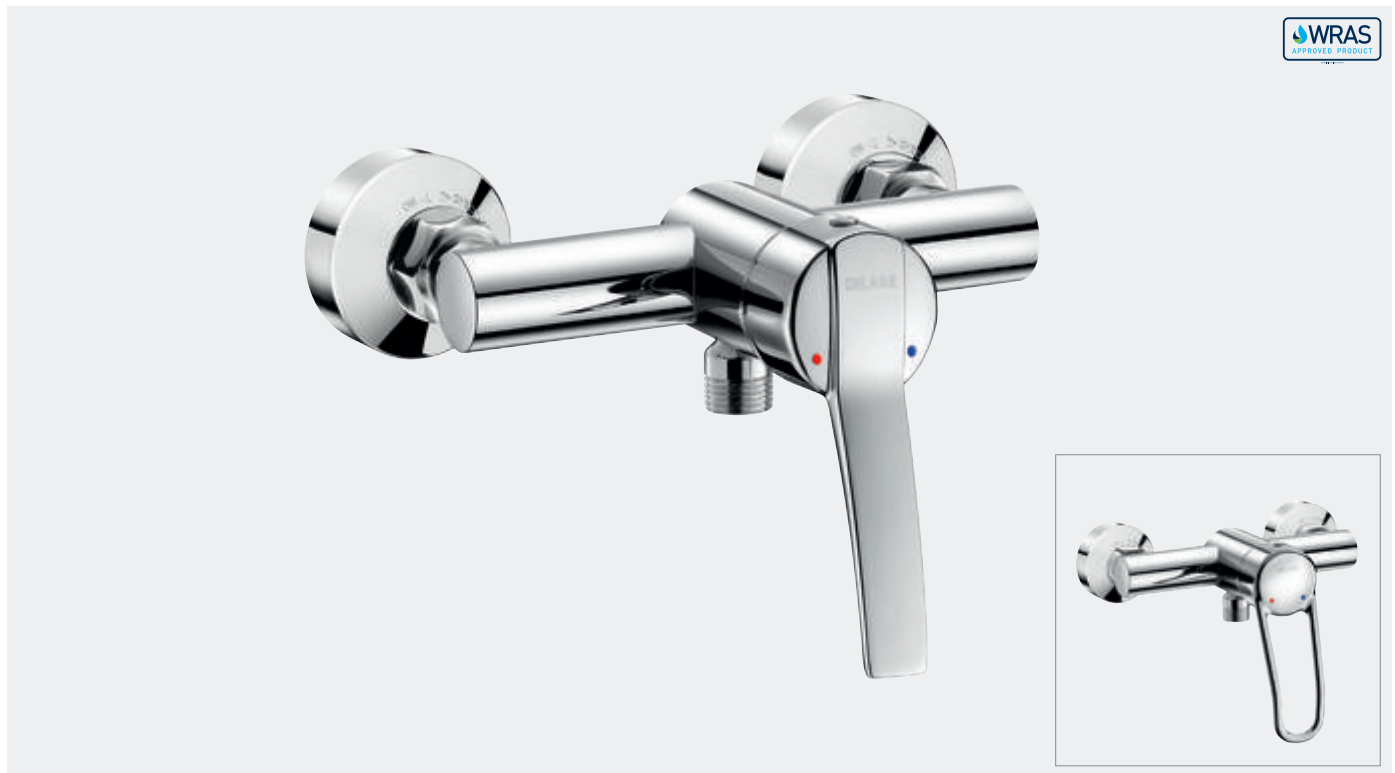
## DELABIE / Mixers with ceramic cartridges



- **Securitouch** hot water insulation: prevents any risk of burns when touching the mixer
- **BIOSAFE** infection control: body with smooth interior and low water volume
- **Anti-scalding safety**: pre-set maximum temperature limiter
- **Water savings**: 50%

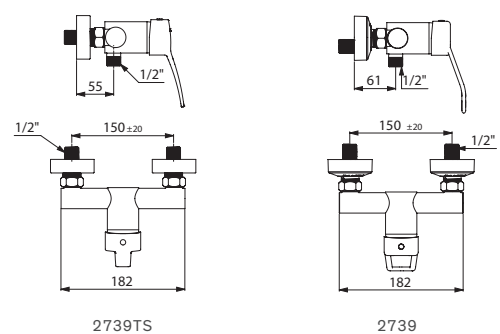
### Securitouch shower mixer

Mechanical mixer, body with smooth interior



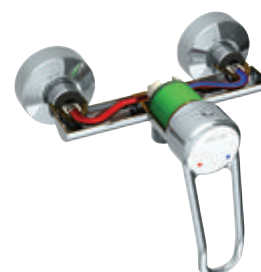
- **Securitouch thermal insulation prevents burns.**
- Ø 40mm ceramic cartridge.
- Pre-set maximum **temperature limiter**.
- **Body with smooth interior and low water volume** (reduces bacterial development).
- **Flow rate regulated at 9 lpm.**
- M $\frac{1}{2}$ " shower outlet with integrated non-return valve.
- Supplied with 2 offset wall connectors M $\frac{1}{2}$ " M $\frac{3}{4}$ " (see page 152).

Also available with pressure-balancing cartridge (see page 132)



Securitouch shower mixer	
<b>STOP/CHECK connectors</b>	
Sculptured control lever	<b>2739</b>
Solid control lever	<b>2739T</b>
<b>Standard connectors</b>	
Sculptured control lever	<b>2739S</b>
Solid control lever	<b>2739TS</b>

**Options:** auto-draining device (see page 152)  
 Hydrotherapy accessories (see pages 149-151)  
 BIOFIL shower head with integrated filter (see page 150)  
 Other connectors available (see page 152)



Low water volume  
 Smooth interior  
 Thermal insulation



- **Securitouch** hot water insulation: prevents any risk of burns when touching the mixer
- **BIOSAFE** infection control: body with smooth interior and low water volume
- **Anti-scalding safety**: pre-set maximum temperature limiter
- **Water savings**: 50%

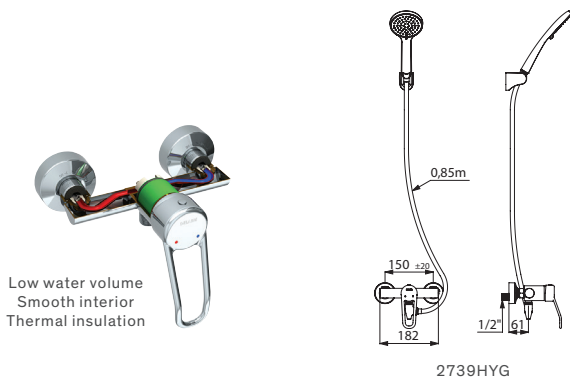
### Securitouch auto-draining shower kit

With mechanical shower mixer, body with smooth interior



Shower kit with auto-draining device includes:

- Mixer with Ø 40mm ceramic cartridge, pre-set **temperature limiter**:
  - **Securitouch thermal insulation prevents burns.**
  - **Body with smooth interior and low water volume.**
  - **Flow rate regulated at 9 lpm.**
- M $\frac{1}{2}$ " shower outlet with integrated non-return valve.
- Supplied with 2 offset wall connectors M $\frac{1}{2}$ " M $\frac{3}{4}$ " (see page 152).
- Shower head with flexible hose and chrome-plated, wall-mounted tilting support.
- **Auto-draining device** FM $\frac{1}{2}$ " automatically drains the flexible hose and shower head (see page 152).



Securitouch auto-draining shower kit	
STOP/CHECK connectors	<b>2739HYG</b>
Standard connectors	<b>2739SHYG</b>

**Options:** BIOFIL shower head with integrated filter (see page 150)  
 Soap dishes (see page 154), floor traps (see page 155)  
 Other connectors available (see page 152)

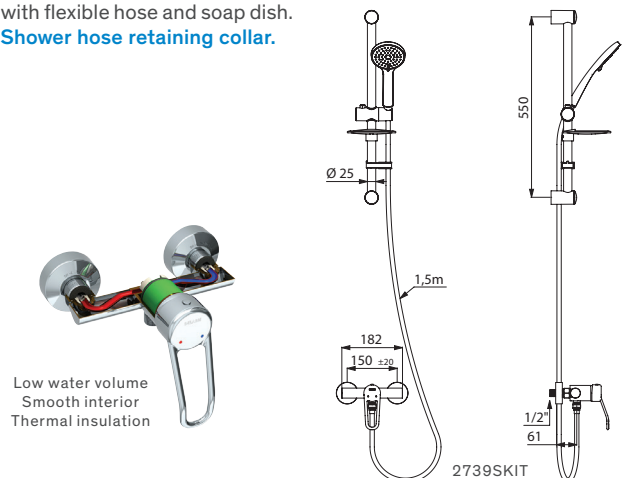
### Securitouch shower kit

With mechanical shower mixer, body with smooth interior



Shower kit includes:

- Mixer with Ø 40mm ceramic cartridge, pre-set **temperature limiter**:
  - **Securitouch thermal insulation prevents burns.**
  - **Body with smooth interior and low water volume.**
  - **Flow rate regulated at 9 lpm.**
- M $\frac{1}{2}$ " shower outlet with integrated non-return valve.
- Supplied with 2 offset wall connectors M $\frac{1}{2}$ " M $\frac{3}{4}$ " (see page 152).
- Sliding shower head on a chrome-plated rail with flexible hose and soap dish.
- **Shower hose retaining collar.**



Securitouch shower kit	
STOP/CHECK connectors	<b>2739KIT</b>
Standard connectors	<b>2739SKIT</b>

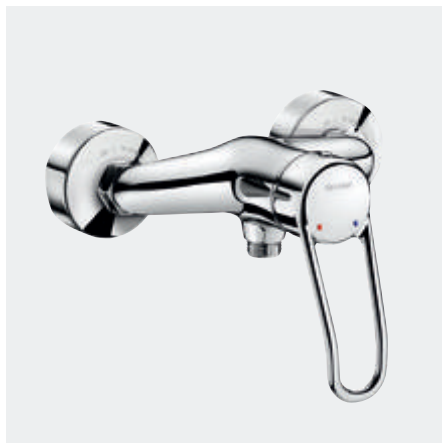
**Options:** BIOFIL shower head with integrated filter (see page 150)  
 Auto-draining device (see page 152), floor traps (see page 155)  
 Other connectors available (see page 152)



- **Anti-scalding safety:** pre-set maximum temperature limiter
- **Ergonomics:** sculptured control lever is easy to grip

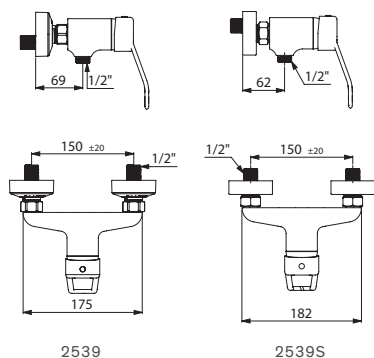
## Shower mixer

Mechanical mixer



- Ø 40mm ceramic cartridge.
- Pre-set maximum **temperature limiter**.
- **Flow rate regulated at 9 lpm.**
- M $\frac{1}{2}$ " shower outlet with integrated non-return valve.
- Sculptured control lever.
- Supplied with 2 offset wall connectors M $\frac{1}{2}$ " M $\frac{3}{4}$ " (see page 152).

Also available with pressure-balancing cartridge (see page 134)

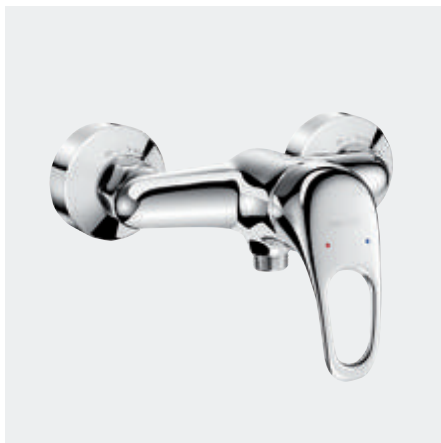


Shower mixer	
STOP/CHECK connectors	<b>2539</b>
Standard connectors	<b>2539S</b>

**Options:** auto-draining device (see page 152)  
 BIOFIL shower head with integrated filter (see page 150)  
 Hydrotherapy accessories (see pages 149-151)

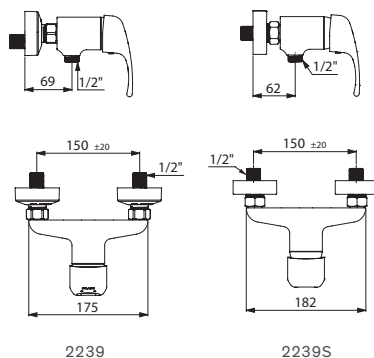
## Shower mixer

Mechanical mixer



- Ø 40mm ceramic cartridge.
- Pre-set maximum **temperature limiter**.
- **Flow rate regulated at 9 lpm.**
- M $\frac{1}{2}$ " shower outlet with integrated non-return valve.
- Sculptured control lever.
- Supplied with 2 offset wall connectors M $\frac{1}{2}$ " M $\frac{3}{4}$ " (see page 152).

Also available with pressure-balancing cartridge (see page 135)



Shower mixer	
STOP/CHECK connectors	<b>2239</b>
Standard connectors	<b>2239S</b>

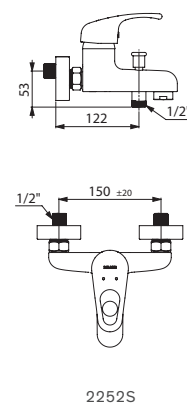
**Options:** auto-draining device (see page 152)  
 BIOFIL shower head with integrated filter (see page 150)  
 Hydrotherapy accessories (see pages 149-151)

## Shower-bath mixer

Mechanical mixer



- Ø 40mm ceramic cartridge.
- Pre-set maximum **temperature limiter**.
- **Automatic diverter with low pressure lock** maintains the shower position even if the flow rate is too low.
- M $\frac{1}{2}$ " shower outlet with integrated non-return valve.
- Sculptured control lever.
- Supplied with 2 offset wall connectors M $\frac{1}{2}$ " M $\frac{3}{4}$ " (see page 152).



Shower-bath mixer	
	<b>2252S</b>

**Options:** auto-draining device (see page 152)  
 BIOFIL shower head with integrated filter (see page 150)  
 Hydrotherapy accessories (see pages 149-151)





- **Anti-scalding safety:** pre-set maximum temperature limiter
- **Ergonomics:** sculptured control lever is easy to grip
- **Water savings:** 50%

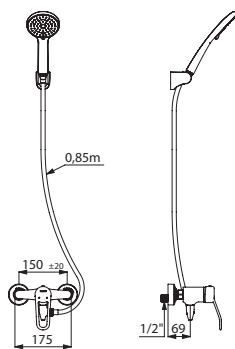
### Classic auto-draining shower kit

With mechanical shower mixer



Shower kit with auto-draining device includes:

- Mixer with Ø 40mm ceramic cartridge, pre-set **temperature limiter:**
  - **Flow rate regulated at 9 lpm.**
  - M $\frac{1}{2}$ " shower outlet with integrated non-return valve.
  - Supplied with 2 offset wall connectors M $\frac{1}{2}$ " M $\frac{3}{4}$ " (see page 152).
- Shower head with flexible hose and chrome-plated, wall-mounted tilting support.
- **Auto-draining device** FM $\frac{1}{2}$ " automatically drains the flexible hose and shower head (see page 152).



2539HYG

Auto-draining shower kit	
STOP/CHECK connectors	<b>2539HYG</b>
Standard connectors	<b>2539SHYG</b>

**Options:** BIOFIL shower head with integrated filter (see page 150)  
 Soap dishes (see page 154), floor traps (see page 155)

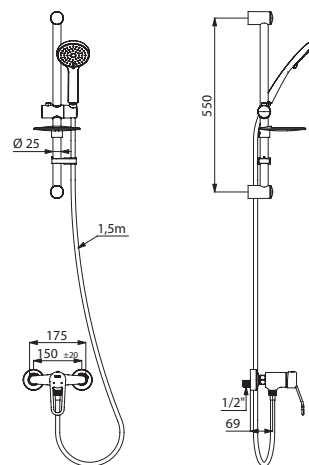
### Classic shower kit

With mechanical shower mixer



Shower kit includes:

- Mixer with Ø 40mm ceramic cartridge, pre-set **temperature limiter:**
  - **Flow rate regulated at 9 lpm.**
  - M $\frac{1}{2}$ " shower outlet with integrated non-return valve.
  - Supplied with 2 offset wall connectors M $\frac{1}{2}$ " M $\frac{3}{4}$ " (see page 152).
- Sliding shower head on a chrome-plated rail with flexible hose and soap dish.
- **Shower hose retaining collar.**



2539KIT

Shower kit	
STOP/CHECK connectors	<b>2539KIT</b>
Standard connectors	<b>2539SKIT</b>

**Options:** BIOFIL shower head with integrated filter (see page 150)  
 Auto-draining device (see page 152), floor traps (see pages 155)



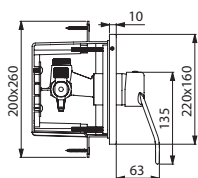
- **Anti-scalding safety:** pre-set maximum temperature limiter
- **Vandal-resistant:** chrome-plated solid brass, concealed fixings
- **Ergonomics:** sculptured or solid control levers are easy to grip

## Recessed shower mixer

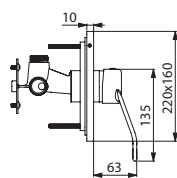
In waterproof housing



- **Waterproof recessing housing** behind a bright polished stainless steel wall plate 160 × 220mm.
- Adjustable recessing depth 10 - 30mm.
- Mixer with Ø 40mm ceramic cartridge.
- Pre-set maximum **temperature limiter**.
- Sculptured control lever.
- Order a wall-mounted outlet or shower head to complete (see opposite and page 153).



790BOX+2543



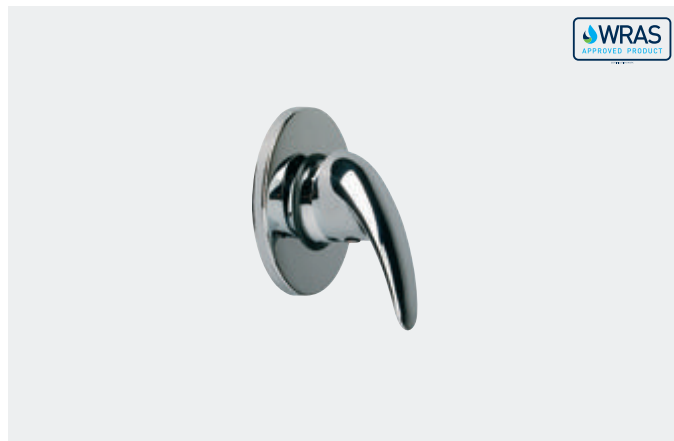
2543

Shower mixer without shower head  
in waterproof housing

**790BOX  
+ 2543**

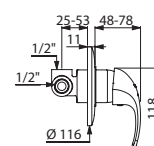
**Options:** floor traps (see page 155), fixed shower head (see opposite)

## Recessed shower mixer



- Adjustable wall plate Ø 116mm.
- Mixer with Ø 40mm ceramic cartridge.
- Pre-set maximum **temperature limiter**.
- Solid control lever.
- Order a wall-mounted outlet or shower head to complete (see opposite and page 153).

This mixer does not have a waterproof recessing housing.  
The installer must ensure that the recessing area is waterproof and can drain away any leaks or condensation (see installation guide).



2443

Wall-mounted, recessed shower mixer

**2443**

**Options:** floor traps (see page 155), fixed shower head (see opposite)



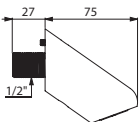
- **BIOSAFE** infection control: systematically drains after use preventing water stagnation
- **Comfort**: adjustable conical spray, efficient and comfortable wetting effect
- **Water savings**: automatic flow rate regulator integrated in the shower head
- **Vandal-resistant**: tamperproof, chrome-plated solid brass, ligature-resistant nozzle

### TONIC JET

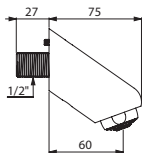
Scale-resistant shower head



- Fixed shower head.
- **Flow rate 6 lpm** at 3 bar.
- **Automatic flow rate regulation.**
- **Scale-resistant and ligature-resistant** nozzle with adjustable spray angle.
- Chrome-plated solid brass.
- Fixed with concealed blocking screw.
- Systematically drains after use (no impurity or water retention).
- Rain effect grid ref. 712000GR: recommended for small, raised shower trays.
- M $\frac{1}{2}$ " recessed inlet.



712000



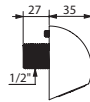
712000GR

### ROUND

Scale-resistant shower head



- Fixed shower head.
- **Flow rate 6 lpm** at 3 bar.
- **Automatic flow rate regulation.**
- **Scale-resistant and ligature-resistant** nozzle with adjustable spray angle.
- Chrome-plated solid brass.
- Fixed with concealed blocking screw.
- Systematically drains after use (no impurity or water retention).
- M $\frac{1}{2}$ " recessed inlet.



709000

### CF comfort nozzle

10 lpm



- Scale-resistant nozzle made from Hostaform®.
- Comfortable jet at 10 lpm at 3 bar.
- Can be used instead of the nozzle in the ROUND and TONIC JET shower heads.
- Add "CF" to the end of the reference.



CF

TONIC JET shower head	
Scale-resistant, adjustable jet	<b>712000</b>
Grid, rain effect	<b>712000GR</b>
<a href="#">Alternative models available on request</a>	

ROUND shower head	
	<b>709000</b>
<a href="#">Alternative models available on request</a>	

CF comfort nozzle	
	<b>CF</b>



# Additional fittings for showers

SHOWER KITS  
**148**



HYDROTHERAPY  
ACCESSORIES  
**149**



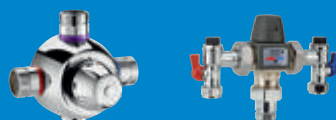
CONNECTORS  
SHOWER  
ACCESSORIES  
**152**



FLOOR TRAPS  
**155**



GROUP  
THERMOSTATIC  
MIXING VALVES  
**155**

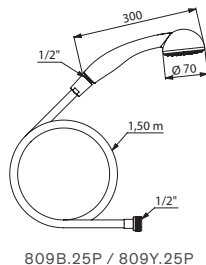


### Disposable shower kit

With coloured conical unions, monojet handset



- Ideal for hospitals:**
- **Disposable kit:** enables regular changing.
  - **Flexible hose has smooth interior and exterior:** easy to maintain with fewer bacterial niches.
  - **Coloured conical unions:** provide clear visual indication and help to ensure correct shower kit replacement.



809B.25P / 809Y.25P

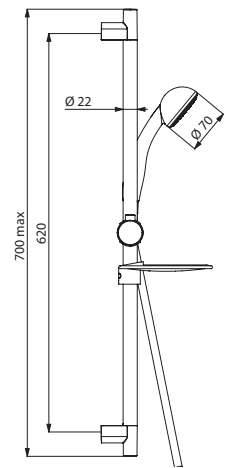
Disposable shower kit includes:

- 25 white PVC flexible hoses L. 1.50m with coloured ABS conical unions: blue or yellow.
- 25 white shower heads Ø 70mm, **monojet:** rain effect.

Disposable shower kits, monojet	
25 yellow kits	809Y.25P
25 blue kits	809B.25P

### Chrome-plated shower kit Ø 22mm

With monojet handset



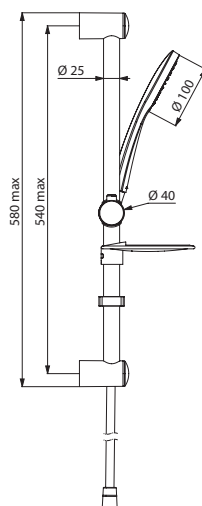
801

- Chrome-plated cut-to-size stainless steel shower rail Ø 22mm, overall length 700mm with 620mm centres.
- **Shower head holder can be adjusted in height and tilted.**
- Transparent soap dish.
- Smooth, BICOLOR PVC flexible hose L. 1.50m.
- **Scale-resistant shower head** Ø 70mm in chrome-plated ABS, **monojet:** rain effect.

Shower kit Ø 22mm, monojet	801
----------------------------	-----

### Chrome-plated shower kit Ø 25mm

With monojet handset



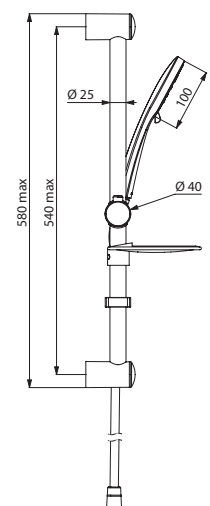
806

- Chrome-plated cut-to-size stainless steel shower rail Ø 25mm, overall length 580mm with 540mm centres.
- **Shower head holder can be adjusted in height and tilted.**
- Chrome-plated soap dish.
- Smooth, BICOLOR PVC flexible hose L. 1.50m.
- **Scale-resistant shower head** Ø 100mm in chrome-plated ABS, **monojet:** rain-effect.
- **Shower hose retaining collar** (see page 154).

Shower kit Ø 25mm, monojet	806
----------------------------	-----

### Chrome-plated shower kit Ø 25mm

With 5-jet handset



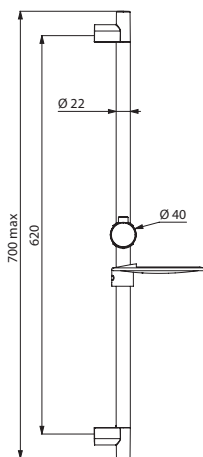
803

- Chrome-plated cut-to-size stainless steel shower rail Ø 25mm, overall length 580mm with 540mm centres.
- **Shower head holder can be adjusted in height and tilted.**
- Chrome-plated soap dish. Smooth, BICOLOR PVC flexible hose L. 1.50m.
- **Scale-resistant shower head** Ø 100mm in chrome-plated ABS, **5 options:** rain-effect, massage, bubble-effect, rain-effect + massage, rain-effect + bubbles.
- **Shower hose retaining collar** (see page 154).

Shower kit Ø 25mm, 5 jets	803
---------------------------	-----

### Chrome-plated shower rail Ø 22mm

With soap dish



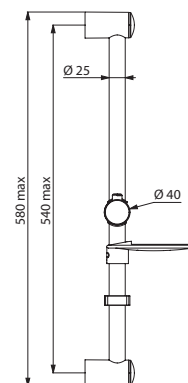
820

- Chrome-plated cut-to-size stainless steel shower rail Ø 22mm, overall rail length 700mm with 620mm centres.
- **Shower head holder can be adjusted in height and tilted.**
- Transparent soap dish.

Chrome-plated shower rail Ø 22mm 820

### Chrome-plated shower rail Ø 25mm

With soap dish

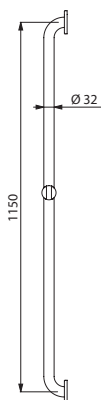


821

- Chrome-plated cut-to-size stainless steel shower rail Ø 25mm, overall rail length 580mm with adjustable centres up to 540mm.
- **Shower head holder can be adjusted in height and tilted.**
- **Shower hose retaining collar** (see page 154).
- Chrome-plated soap-dish.

Chrome-plated shower rail Ø 25mm 821

### Stainless steel shower rail Ø 32mm



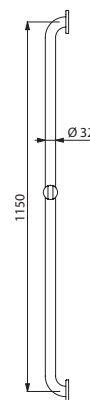
5460P2

- Bacteriostatic 304 stainless steel rail Ø 32mm, 1150mm centres.
- Uniform non-porous surface for easy maintenance and hygiene.
- **Chrome-plated metal shower head holder with ergonomic handle.**
- Concealed fixings. CE marked.

Stainless steel shower rail Ø 32mm	
UltraPolish bright polished stainless steel	5460P2
UltraSatin polished satin stainless steel	5460S

**Option:** clip-on sliding soap dish (see page 154)

### Nylon shower rail Ø 32mm



5460N

- High strength polyamide rail (Nylon) Ø 32mm, 1150mm centres.
- Uniform non-porous surface for easy maintenance and hygiene.
- Good resistance to chemical products and cleaning.
- Anti-UV treatment. Warm to the touch.
- **HR Nylon sliding shower head holder with ergonomic handle.**
- Concealed fixings. CE marked.

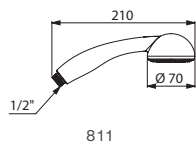
Nylon shower rail Ø 32mm	
	5460N

**Option:** clip-on sliding soap dish (see page 154)

**Monojet shower head Ø 70mm**  
Scale-resistant



- M1/2" shower head.
- Chrome-plated ABS.
- **Monojet:** rain effect.
- **Manual system for removing limescale.**

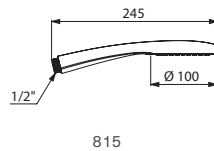


**Monojet shower head Ø 70mm**      **811**

**Monojet shower head Ø 100mm**  
Scale-resistant



- M1/2" shower head.
- Chrome-plated ABS.
- **Monojet:** rain effect.
- **Manual system for removing limescale.**

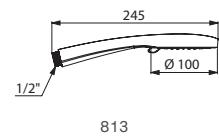


**Monojet shower head Ø 100mm**      **815**

**Shower head with 5 jets Ø 100mm**  
Scale-resistant



- M1/2" shower head.
- Chrome-plated ABS.
- **5 jets:** rain effect, massage, bubble-effect, rain effect + massage, rain effect + bubbles.
- **Manual system for removing limescale.**

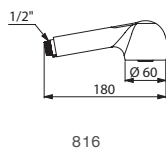


**Shower head with 5 jets Ø 100mm**      **813**

**Shower head with 2 jets Ø 60mm**



- M1/2" shower head.
- Chrome-plated ABS.
- **2 jets with inverter:** rain effect and massage.

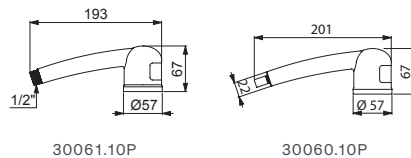


**Shower head with 2 jets Ø 60mm**      **816**

**Anti-bacterial BIOFIL shower head**



- **Shower head with integrated filter, rain effect.**
- Sterile or non-sterile anti-bacterial filter (for more information about the BIOFIL range, see page 27).

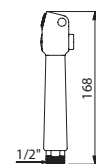


10 BIOFIL shower heads	
Threaded shower heads	
Sterile CE	<b>20061.10P</b>
Non-sterile CE	<b>30061.10P</b>
Clip-in shower heads	
Sterile CE	<b>20060.10P</b>
Non-sterile CE	<b>30060.10P</b>

**Push-button hand spray**  
Downward jet



- **Push-button hand spray M1/2".**
- Chrome-plated brass and white polypropylene.
- Order a chrome-plated brass wall hook ref. 1585 to complete (see page 161).



**Push-button hand spray**      **434182**

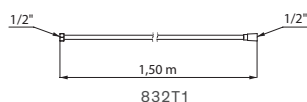


### Stainless steel flexible shower hose

Flexible hose FF1/2" L. 1.50m



- **Double fastened stainless steel** for intensive use with twist-preventing union on shower end.
- Interior tube is certified food-grade PVC, conforms to European standard EN 1113.
- Chrome-plated conical brass connectors 1/2".
- Will withstand strain (50kg), bending and twisting.



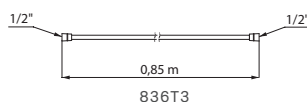
Stainless steel shower hose L. 1.50m	832T1
---	-------

### SILVER flexible shower hose

Smooth, PVC flexible hose FF1/2"



- Smooth, metal effect, reinforced food-grade PVC hose for easy maintenance and to reduce bacterial development.
- PVC pipe reinforced by polyester threads conforms to European standard EN 1113.
- Tube interior is made from food-grade PVC.
- Chrome-plated conical brass connectors 1/2".
- Will withstand strain (50kg), bending and twisting.



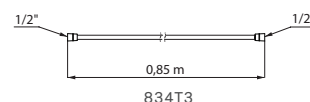
SILVER flexible shower hose	
L. 0.85m	836T3
L. 1.50m	836T1

### BICOLOR flexible shower hose

Smooth, PVC flexible hose FF1/2"



- Smooth, metalloplastic food-grade PVC hose for easy maintenance and to reduce bacterial development.
- PVC pipe reinforced by polyester threads conforms to European standard EN 1113.
- Tube interior is made from food-grade PVC.
- Chrome-plated conical brass connectors 1/2".
- Will withstand strain (50kg), bending and twisting.



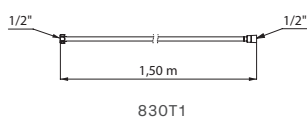
BICOLOR flexible shower hose	
L. 0.85m	834T3
L. 1.20m	834T4
L. 1.50m	834T1
L. 2.00m	834T2

### Polyamide flexible shower hose

Black flexible hose FF1/2"



- Universal food-grade black EPDM flexible hose L. 1.50m reinforced with Polyamide threads conforms to European standard EN 1113.
- Metal conical union 1/2" and milled metal union 1/2".
- Will withstand strain (50kg), bending and twisting.



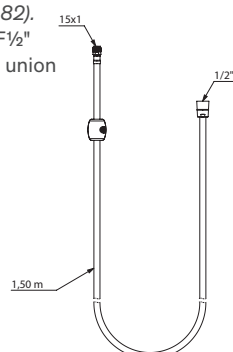
Polyamide flexible hose L. 1.50m	830T1
----------------------------------	-------

### Nylon flexible hose

For retracting hand sprays



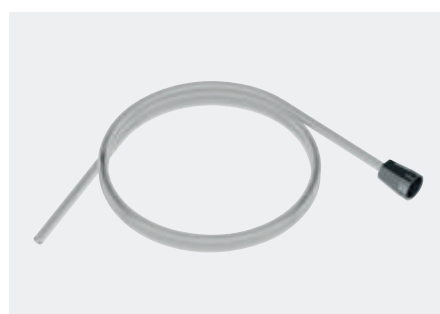
- Black flexible hose L. 1.50m with counterweight for retracting hand sprays (see ref. 2597 page 82).
- Metal conical union F1/2" and metal cylindrical union M15 x 1.



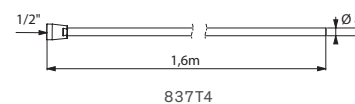
Nylon flexible hose for retracting hand sprays L. 1.50m	835T1
---	-------

### Polyurethane transparent hose

For retracting hand sprays



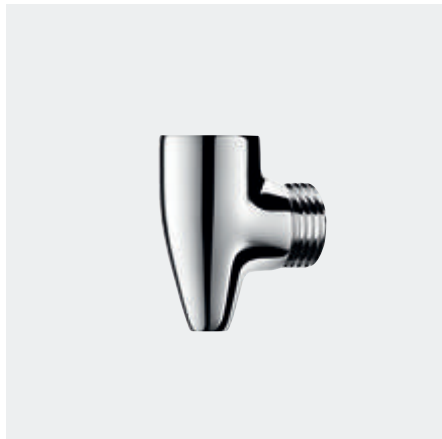
- BIOSAFE flexible hose L. 1.60m reduces **bacterial proliferation**, for retracting hand sprays (except ref. 2597).
- **Transparent** PU polyurethane flexible hose, with smooth interior and exterior, low water volume (interior Ø 6mm).
- Metal conical union F1/2".



PU flexible hose for retracting hand sprays L. 1.60m	837T4
--	-------

**Auto-draining device**

For showers and shower-bath mixers



- Automatically drains the shower head and flexible hose.
- **Prevents water stagnation and reduces bacterial development** (for more information, see page 139).
- Chrome-plated solid brass body with downstream purge.
- Inlet F1/2" with filter (to connect to the bottom outlet of the mixer).
- Outlet M1/2" (to connect to the flexible hose).

We recommend using the auto-draining device with a short flexible hose (ref. 83473 or 83673, page 151)



880

Auto-draining device	880
----------------------	-----

**STOP/CHECK connectors**

Wall-mounted connectors M1/2" M3/4"

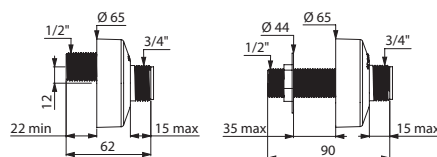


- Chrome-plated brass connectors Ø 65mm for wall-mounted mixers.
- M1/2" M3/4".
- Supplied in packs of 2.
- **Ideal for hospitals.**

Connectors include:  
**Manual escutcheon control:** stopcock position and/or purge.

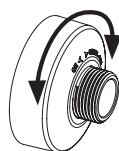
**Stopcocks:** (STOP function):  
 - Allow shut-off of the water supply so that the mixer can be easily removed for de-scaling, cleaning or maintenance.  
 - Allow automatic anti-scalding safety to be checked on SECURITHERM thermostatic and EP pressure-balancing mixers.

**Purge system:** (CHECK function):  
 Allows non-return valves to be checked on the respective mixer (DELABIE patent).



855755.2P

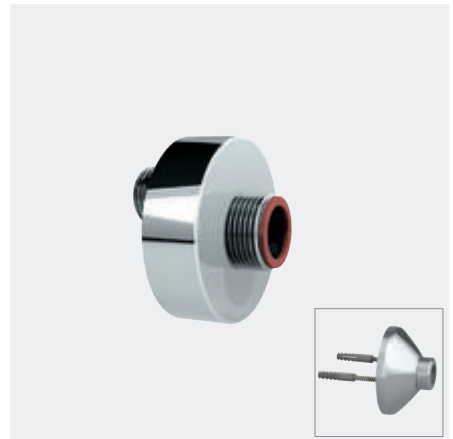
855755UK.2P



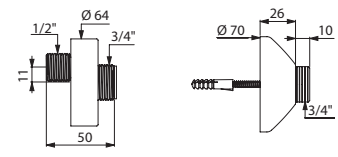
STOP/CHECK connectors	
Offset connectors	855755.2P
In-line connectors	855755UK.2P

**Standard connectors**

Wall-mounted connectors M1/2" M3/4"



- Chrome-plated standard connectors for wall-mounted mixers.
- M1/2" M3/4".
- Supplied in packs of 2.



856794.2P

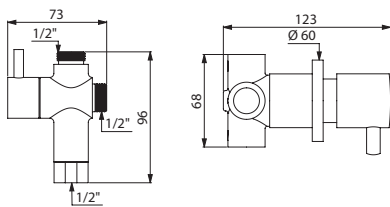
845527.2P

Standard connectors	
Centres 11mm, L. 50, Ø 64	856794.2P
Centres 11mm, L. 50, Ø 70	856127.2P
Centres 12mm, L. 60, Ø 70	856027.2P
In-line fast-fix, L. 36mm	845527.2P

### Diverter



- Allows user to choose between the shower head or the hand held shower head/hand spray.
- Chrome-plated brass.
- 1/2" inlet.



260021

260020

Diverter	
Recessed FF1/2"	<b>260020</b>
Exposed FM1/2"	<b>260021</b>

### Connectors with non-return valves

Chrome-plated brass connectors



- Connectors with integral filter to prevent backflow of contaminated water into the system.
- Prevent cross flow of cold and hot water.
- Supplied in packs of 2.



C291AH75



C151AH75

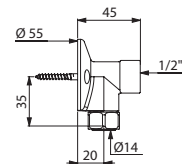
Connectors with non-return valves	
For flexibles FM1/2"	<b>C291AH75</b>
For flexibles FM3/8"	<b>C151AH75</b>

### Reinforced exposed connector

For M1/2" stopcocks



- Reinforced chrome-plated brass exposed connector.
- Ø 14mm stud nut.
- MF1/2".
- Fixed by 2 screws (supplied).



841315

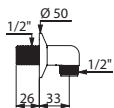
Reinforced exposed connector	
	<b>841315</b>

### Wall-mounted elbow outlet

For flexible shower hoses



- Wall-mounted elbow outlet.
- Chrome-plated solid brass.
- Wall plate Ø 50mm.
- MM1/2".

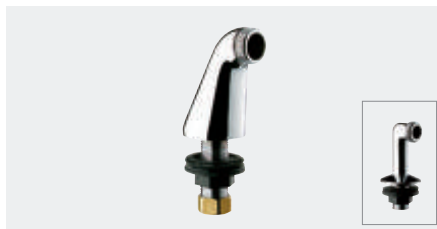


868121

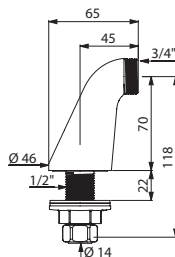
Wall-mounted elbow outlet	
	<b>868121</b>

### Column connectors

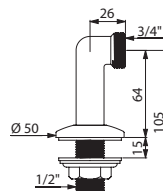
For deck-mounted shower-bath mixers



- Solid brass connectors.
- M1/2" M3/4".
- Supplied in packs of 2.



870027.2P



865127.2P

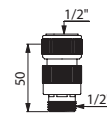
Column connectors	
With escutcheon, H. 64mm	<b>865127.2P</b>
Deluxe, no escutcheon, H. 70mm	<b>870027.2P</b>

### Rapid push-fit STOP connector

For shower panels



- Rapid push-fit STOP connector.
- For attaching flexible hose to shower panel.



807792

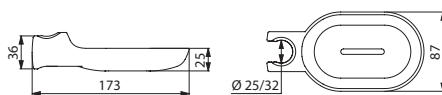
Rapid push-fit STOP connector	
	<b>807792</b>

SHOWER FITTINGS

### Clip-on sliding soap dish



- For stainless steel or Nylon shower rails.
- Clip-on sliding soap dish for shower rails Ø 25mm and Ø 32mm.
- Ideal for shower gel or soap.



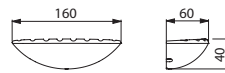
510120/ 510120N

Clip-on soap dish	
Translucent	510120
White Nylon	510120N

### Wall-mounted soap dish



- Concealed fixings.
- Support fixed to the wall by 4 screws.
- Chrome-plated Bayblend®.
- Matte or bright finish.



710500

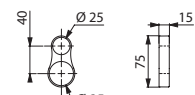
Wall-mounted soap dish	
Matte finish	710500
Bright finish	710501

### Shower head retaining collar

For shower rails



- **Retaining device:** prevents shower head from coming into direct contact with the floor or the floor trap (source of bacterial niches).
- Retaining collar for shower rails and hoses.
- For grab bars Ø 25 to 35mm.



830

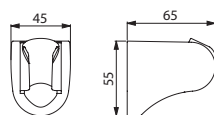
Retaining collar	
	830

### Tilting, wall-mounted support

For shower heads



- Chrome-plated support.
- Tilting.
- Fixings supplied.



845

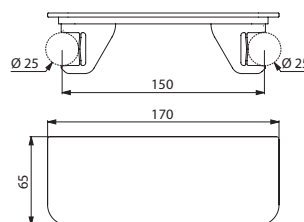
Tilting, wall-mounted support	
	845

### Shelf

For shower mixers



- Chrome-plated shelf ideal for dual control thermostatic shower mixers (see H9769 and H9741 ranges, pages 112-115).
- Body hygiene products can be placed on shelf (shower gel, shampoo, etc.).



850

*Provisional availability 1<sup>st</sup> half 2020.  
Please contact sales office to check availability.*

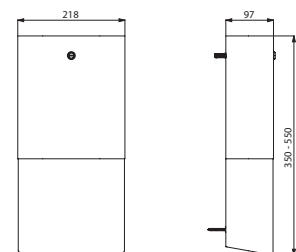
Shelf	
	850

### Extension

For shower panels



- For shower panels.
- Protects the pipework between the top of the shower panel and the ceiling.
- Cut-to-size extension for anodised aluminium versions, adjustable from 350 to 550mm for satin finish stainless steel versions.



790153

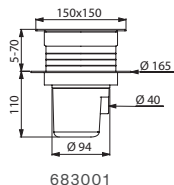
Extension	
Aluminium, L. 210mm, H. 1000mm	790152
Stainless steel, L. 218mm	790153

### Adjustable height floor trap

For tiled or concrete floors



- Flow rate 36 lpm (meets standards).
- Water level 50mm.
- Bright polished stainless steel plate and grid.
- Horizontal outlet Ø 40mm integrated into the height of the floor trap.
- Withstands high temperatures: 60°C continuous, 85°C peak.
- Height adjusts with extension.



683001

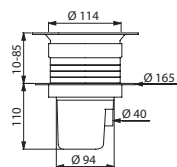
Floor trap for tiled or concrete floors	
150 × 150mm, adjustable height up to 70mm	<b>683001</b>
100 × 100mm, adjustable height up to 80mm	<b>682001</b>
for outlet Ø 43mm, add "UK" after the reference	

### Adjustable height floor trap

For soft or vinyl floors



- Flow rate 36 lpm (meets standards).
- Water level 50mm.
- Bright polished stainless steel grid Ø 114mm.
- Horizontal outlet Ø 40mm integrated into the height of the floor trap.
- Withstands high temperatures: 60°C continuous, 85°C peak.
- Height adjusts up to 85mm with extension.



683002

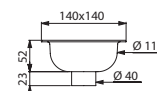
Floor trap for soft or vinyl floors Ø 114mm	
Outlet Ø 40mm	<b>683002</b>
Outlet Ø 43mm	<b>683002UK</b>

### Floor trap

For tiled or concrete floors



- Flow rate 18 lpm.
- Water level 18mm.
- Brass body 140 × 140mm.
- Bright polished stainless steel grid fixed by a stainless steel screw.
- PVC bell.
- Vertical outlet Ø 40mm (provide elbow for horizontal outlets).



684000

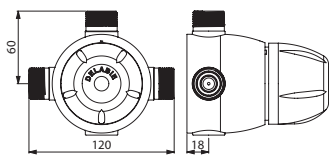
Floor trap for tiled or concrete floors 140 × 140mm	
	<b>684000</b>

### PREMIX SECURITY

Group mixer for circulating loops



- Anti-scalding safety.
- Regulates temperature variations.
- Filters and non-return valves can be accessed from the outside without removing the mechanism.
- Interchangeable cartridge with thermostatic cell.
- Maximum temperature limiter, can be adjusted by the installer. Thermal shocks are possible.
- Reduced risk of scalding by reducing the temperature at the production outlet.



731052

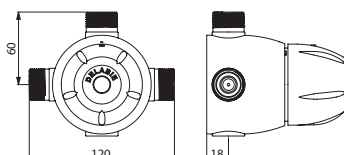
PREMIX SECURITY	
PREMIX SECURITY 55, M <sup>3</sup> / <sub>4</sub> "	<b>731052</b>
PREMIX SECURITY 90, M1"	<b>731053</b>
PREMIX SECURITY 140, M1 <sup>1</sup> / <sub>4</sub> "	<b>731054</b>
PREMIX SECURITY 190, M1 <sup>1</sup> / <sub>2</sub> "	<b>731055</b>

### PREMIX COMFORT

Group mixing valve for mixed water



- Anti-scalding safety.
- Regulates temperature variations.
- Filters and non-return valves can be accessed from the outside without removing the mechanism.
- Interchangeable cartridge with thermostatic cell.
- Maximum temperature limiter, can be adjusted by the installer. Thermal shocks are possible.
- Reduced risk of scalding by reducing the temperature at the point-of-use.



731002

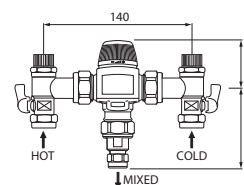
PREMIX COMFORT	
PREMIX COMFORT 55, M <sup>3</sup> / <sub>4</sub> "	<b>731002</b>
PREMIX COMFORT 90, M1"	<b>731003</b>
PREMIX COMFORT 140, M1 <sup>1</sup> / <sub>4</sub> "	<b>731004</b>
PREMIX COMFORT 190, M1 <sup>1</sup> / <sub>2</sub> "	<b>731005</b>

### ECONOMIX

Thermostatic mixing valve



- For up to 4 taps or 3 showers (depending on model).
- **Anti-scalding safety:** automatic shut-off if hot or cold water supply fails.
- Temperature pre-set at 43°C.
- **Non-return valves and stainless steel mesh strainers included on Combi model.**
- Minimum flow rate to operate: 4 lpm.
- Recommended pressure: 0.2 - 5 bar.
- **Thermal shocks are possible.**



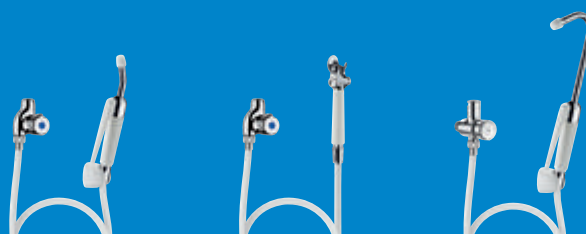
993615

ECONOMIX	
15mm 15/3 Combi	<b>993615</b>
15mm 15/3 Standard	<b>983615</b>



# Water controls for bed pan cleaners

COMPLETE  
KITS  
**160**



ADDITIONAL  
FITTINGS  
**161**

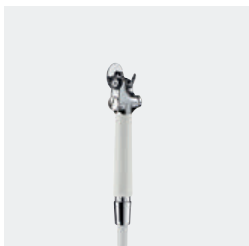




Bed pan cleaner set



HYGIÉNA hand spray



Push-button hand spray



## CONTAMINATION PREVENTION

### Non-return valve with integrated backflow prevention device

To prevent any risk of waste water flowing back into the main water supply, DELABIE's controls for bed pan cleaners include a stopcock with an integrated backflow prevention device (a mechanism for replacing foul water with air if there is any backflow) and a non-return valve. There is complete protection against contamination.

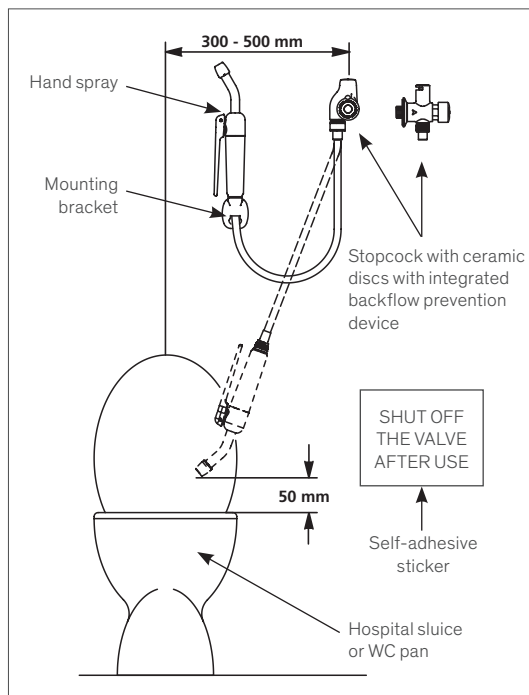
### Safe installation

To comply with contamination safety regulations, the bed pan cleaner set must be installed so that the nozzle cannot come into contact with the sluice or WC pan (see diagram below).

The stopcock must be connected according to the type of supply:

- for recessed supply, use wall plate ref. 292015.2P for a better aesthetic.
- for exposed supply, use a reinforced connector ref. 841315.

Recommended pressure: minimum 1.5 bar up to 5 bar maximum.



## GUARANTEED HYGIENE

DELABIE's hand sprays are specifically designed to deliver a powerful jet without splashing, ensuring thorough cleaning for basins, WC pans and sluices.

## BIOSAFE: INFECTION CONTROL

### Smooth, opaque flexible hose

The white, reinforced flexible hoses used for the bed pan cleaners are opaque, preventing any development of germs or algae due to the light.

They are also completely smooth (inside and outside) making them easy to clean and reducing bacterial retention.

## EASY TO USE

Pressurise DELABIE's bed pan cleaner with ceramic discs by opening the stopcock. The water flows from the hand spray when the trigger is pressed (standard trigger-operated version), or when the trigger is released (model with inverted trigger). The model with the inverted trigger must be shut off at the stopcock after use to avoid the flexible hose remaining under constant pressure.

## AND ALSO...

### Ergonomics

The hand spray sleeve and lever are made from reinforced polypropylene and are non-slip for a better grip.

**10-year warranty** against any manufacturing defects.



**BACKFLOW PREVENTION  
DEVICE AND INTEGRATED  
NON-RETURN VALVE**  
Contamination prevention

**STOPCOCK**  
Pressurises the valve  
or shuts off the supply  
in 1/4-turn

**SMOOTH, OPAQUE  
FLEXIBLE HOSE**  
Guaranteed hygiene



**ROTATING  
NUT**  
Prevents  
the flexible  
twisting

**ROTATING  
NUT**  
Prevents  
the flexible  
twisting

**REMOVABLE FLOW  
STRAIGHTENER**  
Guaranteed hygiene

**ERGONOMIC,  
NON-SLIP SLEEVE  
AND LEVER**  
Easy to grip

**WALL-MOUNTED  
SUPPORT**  
Easy to install

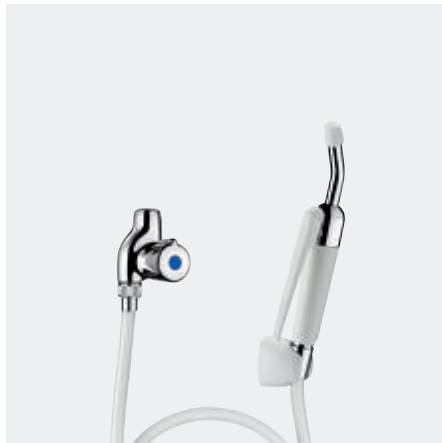




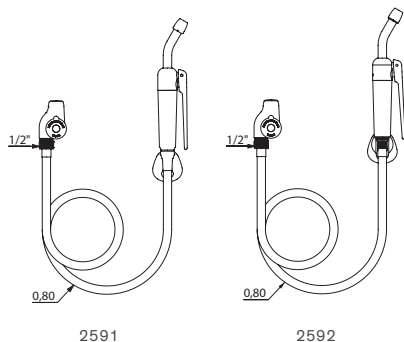
- **Hygiene:** hand spray specifically designed for cleaning basins, WC pans, sluices, etc.
- **Safety:** contamination protection via backflow prevention device and non-return valve
- **BIOSAFE** infection control: opaque flexible hose prevents the development of germs or algae due to light
- **Ergonomics:** non-slip sleeve and hand spray lever made from reinforced polypropylene

## HOSPITAL bed pan cleaner

With stopcock



- Bed pan cleaner with **stopcock with ceramic discs. Integrated backflow prevention device and non-return valve.**
- White, opaque reinforced PVC flexible hose FF $\frac{1}{2}$ ", L. 0.8m.
- **HOSPITAL hand spray** with removable nozzle at a 30° angle.
  - Ref. 2591: standard trigger-operated hand spray.
  - Ref. 2592: inverted trigger-operated hand spray: **water flows when trigger is released;** shut off the stopcock after use to avoid the flexible remaining under constant pressure.
- White wall-mounted hook with screw.



2591

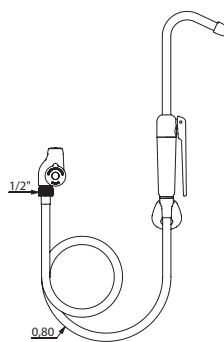
2592

## HYGIÉNA bed pan cleaner

With stopcock



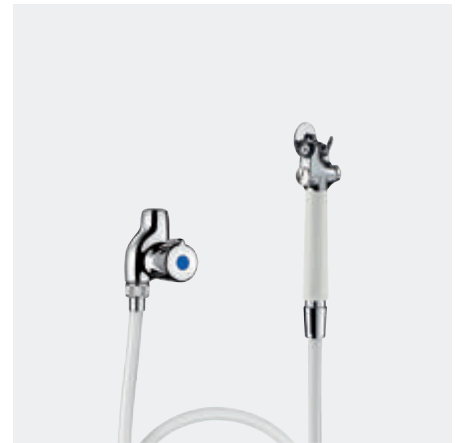
- Bed pan cleaner with **stopcock with ceramic discs. Integrated backflow prevention device and non-return valve.**
- White, opaque reinforced PVC flexible hose FF $\frac{1}{2}$ ", L. 0.8m.
- **HYGIÉNA hand spray** with removable nozzle at a 65° angle.
- Standard trigger-operated hand spray.
- White wall-mounted hook with screw.



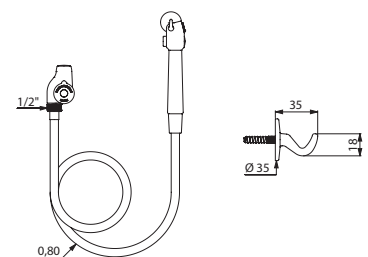
D275065

## Push-button bed pan cleaner

With stopcock



- Bed pan cleaner with **stopcock with ceramic discs. Integrated backflow prevention device and non-return valve.**
- White, opaque reinforced PVC flexible hose FF $\frac{1}{2}$ ", L. 0.8m.
- **Push-button hand spray.**
- Chrome-plated brass wall-mounted hook.



D275058

### HOSPITAL bed pan cleaner with stopcock

Standard hand spray	2591
Inverted hand spray	2592

### HYGIÉNA bed pan cleaner with stopcock

D275065

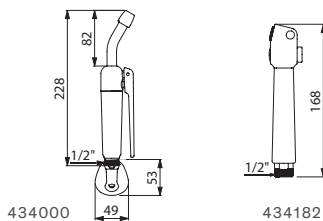
### Push-button bed pan cleaner with stopcock

D275058

### Hand spray



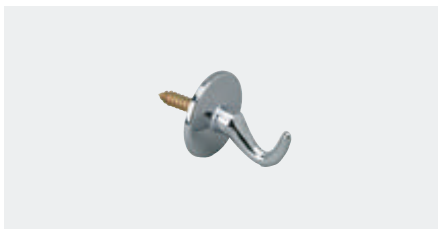
- Hand spray with removable nozzle: HOSPITAL, nozzle at a 30° angle, HYGIÉNA, nozzle at a 65° angle or push-button hand spray.
- Chrome-plated brass and white polypropylene.
- White wall-mounted hook with screw for HOSPITAL and HYGIÉNA models.
- Order with a chrome-plated brass wall hook ref. 1585 to complete (see below).



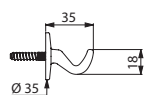
Hand spray for bed pan cleaner	
HOSPITAL standard hand spray	<b>434000</b>
HOSPITAL inverted hand spray	<b>15846</b>
HYGIÉNA hand spray	<b>434065</b>
Push-button hand spray	<b>434182</b>

### Wall-mounted hook

For push-button hand spray



- For surface mounting.
- Chrome-plated brass.
- For push-button hand spray ref. 434182 (see above).



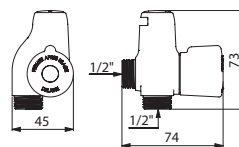
Wall-mounted hook	<b>1585</b>
-------------------	-------------

### M<sup>1</sup>/<sub>2</sub>" stopcock

Integrated backflow prevention device



- ¼-turn ceramic valve head.
- **Integrated backflow prevention device and non-return valve** (anti-pollution protection).
- Chrome-plated brass body.



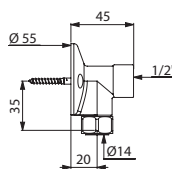
M <sup>1</sup> / <sub>2</sub> " stopcock	<b>158100</b>
--	---------------

### Reinforced exposed connector

For M<sup>1</sup>/<sub>2</sub>" stopcocks



- Reinforced chrome-plated brass exposed connector.
- Ø 14mm stud nut.
- MF<sup>1</sup>/<sub>2</sub>".
- Fixed by 2 screws (supplied).



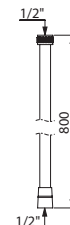
Reinforced exposed connector	<b>841315</b>
------------------------------	---------------

### Reinforced flexible hose FF<sup>1</sup>/<sub>2</sub>"

White PVC flexible hose



- **Opaque, reinforced flexible hose FF<sup>1</sup>/<sub>2</sub>"** prevents the development of germs or algae.
- Rotating nuts FF<sup>1</sup>/<sub>2</sub>" prevent the flexible from twisting.
- Pre-mounted unions provide a waterproof seal.



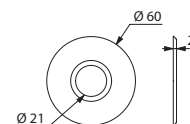
Reinforced white PVC flexible hose FF <sup>1</sup> / <sub>2</sub> "	
L. 0.80m	<b>434080</b>
L. 1.00m	<b>1583</b>
L. 1.25m	<b>434125</b>

### Wall-mounted wall plate

Moulded



- Chrome-plated solid brass wall plate.
- Ø 60mm.
- Supplied in packs of 2.



Wall-mounted wall plate	<b>292015.2P</b>
-------------------------	------------------



DELABIE

# WC valves Frame systems for WCs

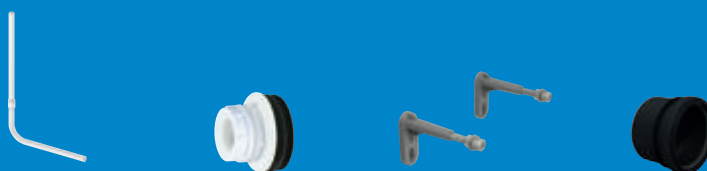
WC VALVES  
**168**



WC FRAME SYSTEMS  
**176**



ADDITIONAL FITTINGS  
FOR WCS  
**184**

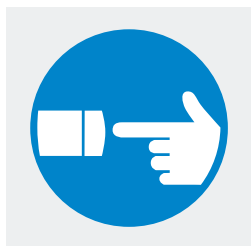




Dual flush



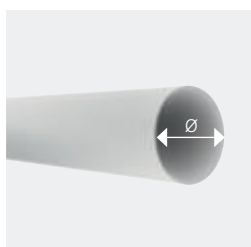
Vandal-resistant



Soft technology:  
soft-touch operation



Operates at 1 L/sec.



Pipework diameter

## DIRECT FLUSH VALVES: SPECIFICALLY DESIGNED FOR INTENSIVE USE IN COMMERCIAL PLACES

The direct flush valve is specifically designed to meet the needs of highly frequented public washrooms.

### Efficient direct flush

The flush valve is connected directly to the water supply. Employing **the pressure from the system**, the flush is more effective. There is **no delay** while the cistern refills. Direct flush is always available, even for successive flushes, solving the problems of **intensive use**.

### Hygiene

Since the flush is connected to the system, there is **no water stagnation, scale build-up or impurity deposits**, factors that encourage the development of bacteria. The effective direct flush ensures the pan remains clean. With electronic sensor controls (TEMPOMATIC), **no manual contact is required**.

### Water savings and environmental labels

Reinforced mechanisms reduce the risk of leaks. The TEMPOFLUX 2 and TEMPOFLUX 3 ranges with **3L/6L dual flush** optimise water consumption. The flush volume can be **adjusted to 2L/4L** for ECO pans, achieving the highest performance standards for international labels.

*For more information see page 17.*

Direct flush **reduces the risk of leaks** unlike cisterns where the frequent dripping is difficult to detect and therefore increases the water bill.

### Vandal-resistant

The mechanisms and controls are **shock-resistant** and have no fragile plastic parts. The fixings are concealed.

### Minimal servicing and simple to maintain

The self-cleaning mechanism is made from **scale-resistant** materials. The cartridge can be isolated via **the stopcock** and can be **easily changed** without having to remove the flush valve.

### Reliability and superior endurance

DELABIE's flush valve mechanisms are **hard-wearing**. The hydraulic timing system with calibrated groove is self-cleaning, which extends its **lifespan to over 500,000 operations**.

There is no metal-metal or metal-plastic friction, ensuring **reliable and durable** timing. DELABIE's flush valves perform to the highest standards. Each model is subjected to endurance tests under extreme conditions in endurance laboratories.

### Comfort

The **low acoustic level** of the TEMPOFLUX 2 and TEMPOFLUX 3 complies with European standard EN 12541 class II.

These ranges feature **soft-touch operation**, which allows all types of users to activate the flush easily. The TEMPOMATIC electronic versions avoid any manual contact and require no effort to operate (children, the elderly or people with reduced mobility).

### Supply pipe diameters

The supply pipe diameters for direct flush are similar to cistern systems. Please see our recommendations below.

## CALCULATION RECOMMENDATIONS

### Simultaneous use

We recommend the **following calculations to determine the number of direct flush valves**.

The flush timing is actually very short (7 seconds) and there is no refill time. As a result, the pipework diameter calculations for direct flush are different to those for cistern flush valves.

The following method is recommended:

Number of valves installed	Number of valves used simultaneously
3 valves	1 valve
4 - 12 valves	2 valves
13 - 24 valves	3 valves
25 - 50 valves	4 valves
> 50 valves	5 valves

### Calculation method

The French regulation bases the calculations on a flow rate of 1.5 L/sec. for direct flush valves. However, for non-domestic applications, it is highly recommended to refer to the manufacturer's guidelines. TEMPOFLUX models work perfectly well at 1 L/sec.

Example showing the calculations for a block of 20 WCs fitted with direct flush valves: we anticipate that a maximum of 3 out of 20 will be activated simultaneously.

**1 L/sec. x 3 flush valves = 3 L/sec.  
The branch supply pipe diameter for the 20 WCs would be 2".**

## ADVANTAGES OF DIRECT FLUSH

**VANDAL-RESISTANT:**  
shock-resistant mechanisms, concealed fixings

**EASY AND INFREQUENT MAINTENANCE:**  
standardised cartridge can be changed without removing the valve, withstands up to 500,000 operations

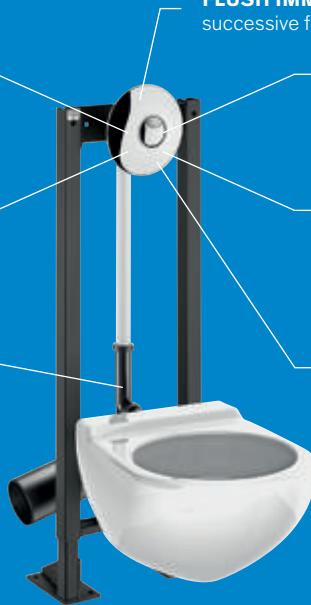
**POWERFUL FLUSH:**  
uses the pressure of the system

**FLUSH IMMEDIATELY AVAILABLE:**  
successive flushes are possible

**WATER SAVINGS:**  
3L/6L dual flush, can be adjusted to 2L/4L

**MINIMAL SERVICING:**  
scale-resistant mechanisms

**HYGIENE:**  
no water stagnation, scale build-up or impurity deposits



## THE CISTERN: DESIGNED FOR DOMESTIC USE

The cistern, designed for domestic use, is not suitable for public and commercial buildings.

### Fragile design

Made from plastic, the cistern and mechanisms are fragile. They are a source of leaks which are not always noticed immediately because they are inaudible and not easy to see. Cisterns are a primary source of wasted water in a system. For example, a small leak can cause losses of 220m<sup>3</sup> or a total of 748€/year (cost of cold water m<sup>3</sup>: 3.40€/year, source: *Centre d'information de l'eau, France*).

### Difficult to service

Cistern maintenance in public and commercial buildings is not easy: removal and access to the mechanism is difficult and increasingly regular interventions are required.

### Lack of hygiene

Cistern systems provide niches where bacteria can develop: stored water in the cistern stagnates and can rapidly lead to the development of bacteria which then spread through the rest of the system.



Cisterns designed for domestic use

## DISADVANTAGES OF CISTERNS FOR PUBLIC AND COMMERCIAL USE

**TIME TAKEN TO REFILL THE TANK:**  
immediate, successive flushes are not possible

**FRAGILE:**  
plastic mechanism and cistern

**RISK OF LEAKS FROM THE CISTERN INTO THE PAN**

**DIFFICULT TO SERVICE:**  
complicated access to mechanism, bottom of cistern inaccessible

**LACK OF HYGIENE:**  
stagnant water, scale deposits and ambient water temperatures lead to bacterial development

**LIMITED FLUSH POWER:**  
static pressure



## TEMPOMATIC DUAL CONTROL RECESSED: 100% WATERPROOF RECESSING HOUSING, MODULAR AND ADAPTABLE

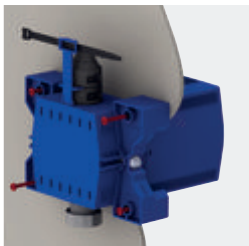
**One product for all types of installation**  
(adjustable fins)



Plasterboard rails



Solid walls



Panels



Secure system flush

### Hygiene

The TEMPOMATIC dual control flush can be activated voluntarily via the push-button, or failing that, **automatically** when the user leaves. This dual control guarantees **permanent hygiene for the WC pan**, even if the user forgets or neglects to flush the WC. The duty flush prevents bacterial proliferation and ensures that the pipework is flushed every 24 hours when not in use.

### Water savings

DELABIE has developed an **"intelligent" rinse function** in the automatic mode. The system can distinguish between the need for a short rinse or a longer flush (3L/6L can be adjusted to 2L/4L).

### Quick and easy to install

There are multiple installation options for the housing: fixing via the sides onto **plasterboard rails**, from the front onto a **solid wall**, or from the rear onto a **panel**. The cut-to-size housing is the only product available that **can adjust to thick walls as well as thin partition walls**. It can be installed on walls up to 120mm: bricks or concrete blocks for public and commercial installations subject to high levels of vandalism. The TEMPOMATIC dual control connects from the outside of the housing to a standard installation or a "pipe-in-pipe" connection. During commissioning, the electronic unit is replaced by a temporary cap to facilitate and **secure the system flush**, without risking any damage to this sensitive element.

### Resistant to intensive use and vandalism

The wall plate, made from **satin finish stainless steel** will withstand extreme levels of demand. The fixings are concealed. Streamlined designs discourage attempts at vandalism. To prevent abuse or waste in the voluntary mode, TEMPOMATIC dual control is fitted with an **AB anti-blocking system**. This security feature prevents the valve from being blocked in the open position. The flush takes place only when the push-button is released.

### Waterproof recessing

Standard housings on the market are designed to be cut to size flush to the wall, which increases the risk of leaks between the wall and collar. DELABIE has developed a housing that can be cut to size in front of the collar, which ensures a **perfect seal**. The **waterproof seal is integrated into the collar**. The installer does not need to apply anything else (silicone, jointing compound, PTFE, etc.). The housing has notches to clip the collar onto and fix it in place easily (patented system).

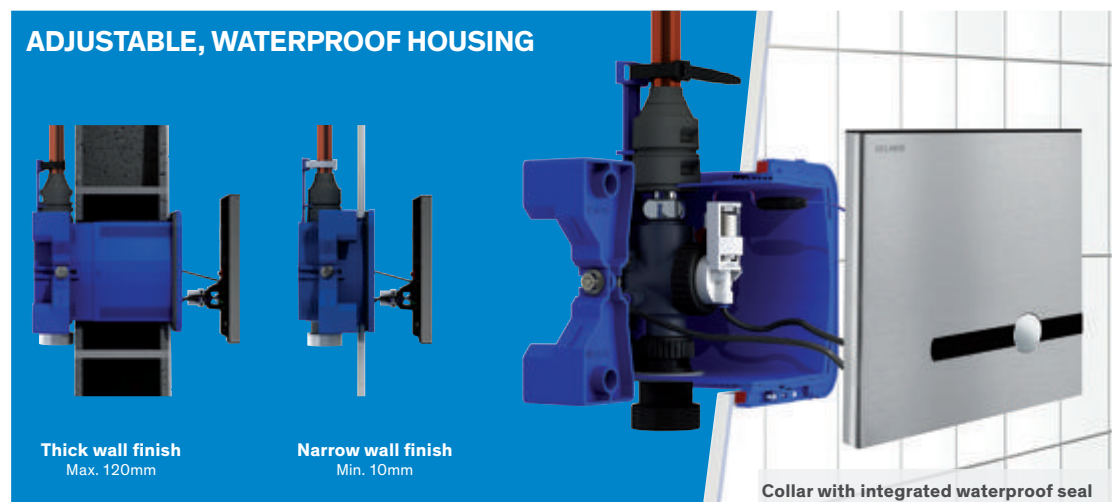
### Minimal servicing and simple to maintain

The electronic unit, activation unit and stopcock are all **accessible from the front**. Simply remove the wall plate to gain access.

A red LED will flash for 15 days to indicate that the battery life is low. Since the batteries are housed inside the wall plate, they can be changed **without shutting off the water supply or removing the flush valve**. Unlike other standard products on the market, TEMPOMATIC dual control's **backflow prevention device is located inside the housing**. In case of backflow, the water will evacuate in front of the wall via the housing, and not behind (or into) the wall. The flush valve is suitable for grey water and sea water. The flush valve can be disconnected and removed from the inside, without removing the housing, for in-depth maintenance or protecting from frost.

### Design

The TEMPOMATIC dual control wall plate has a **timeless design**, available in satin finish stainless steel with a chrome-plated metal push-button. Thanks to its **sleek lines**, it fits perfectly in any type of public and commercial building. Its smooth surface limits the build-up of dirt and facilitates cleaning. This new concept combines **design and functionality**: the electronics are integrated directly in the wall plate.



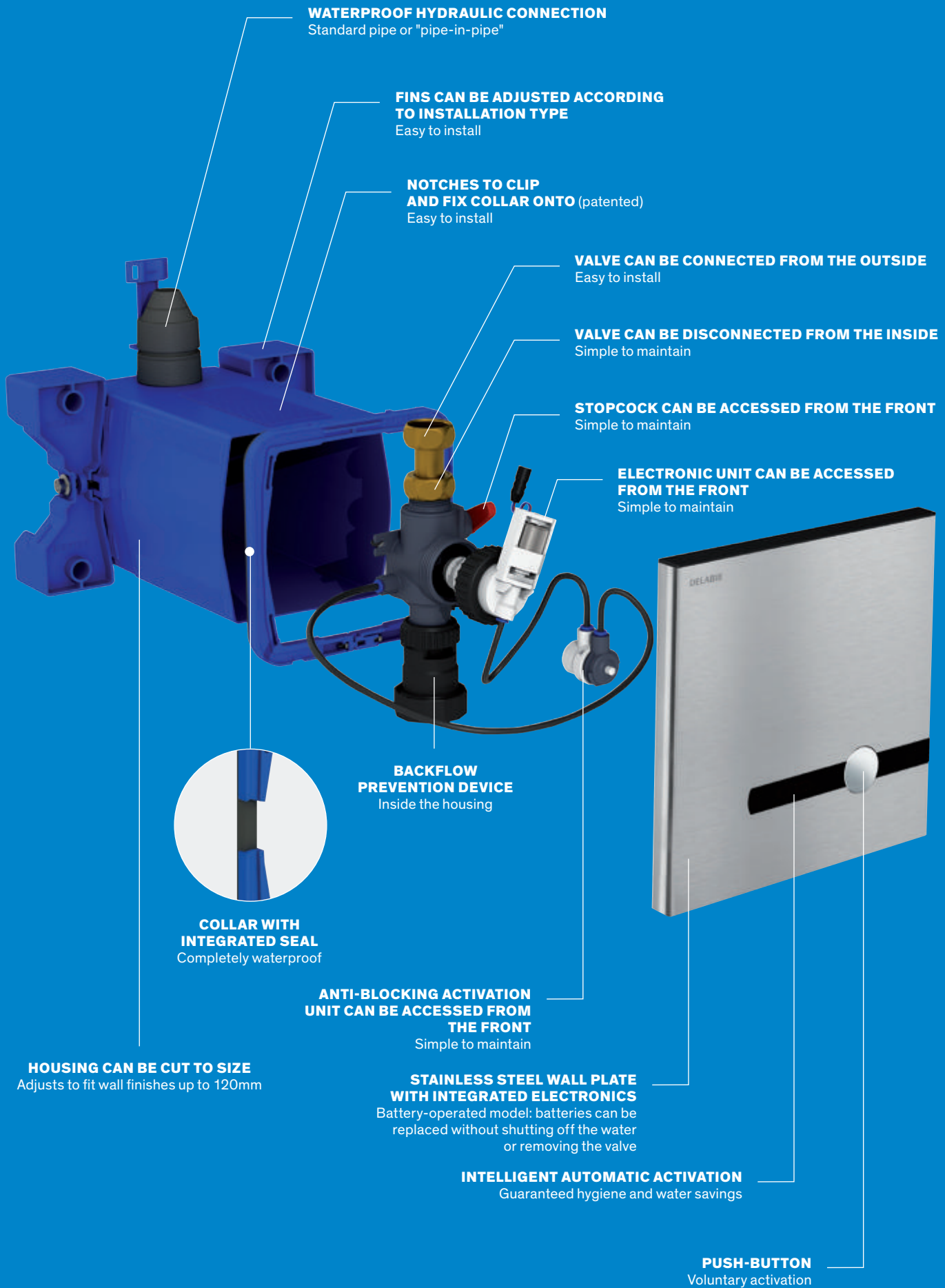
### ADJUSTABLE, WATERPROOF HOUSING

**Thick wall finish**  
Max. 120mm

**Narrow wall finish**  
Min. 10mm

**Collar with integrated waterproof seal**





**WATERPROOF HYDRAULIC CONNECTION**  
Standard pipe or "pipe-in-pipe"

**FINS CAN BE ADJUSTED ACCORDING TO INSTALLATION TYPE**  
Easy to install

**NOTCHES TO CLIP AND FIX COLLAR ONTO** (patented)  
Easy to install

**VALVE CAN BE CONNECTED FROM THE OUTSIDE**  
Easy to install

**VALVE CAN BE DISCONNECTED FROM THE INSIDE**  
Simple to maintain

**STOPCOCK CAN BE ACCESSED FROM THE FRONT**  
Simple to maintain

**ELECTRONIC UNIT CAN BE ACCESSED FROM THE FRONT**  
Simple to maintain

**BACKFLOW PREVENTION DEVICE**  
Inside the housing

**COLLAR WITH INTEGRATED SEAL**  
Completely waterproof

**ANTI-BLOCKING ACTIVATION UNIT CAN BE ACCESSED FROM THE FRONT**  
Simple to maintain

**HOUSING CAN BE CUT TO SIZE**  
Adjusts to fit wall finishes up to 120mm

**STAINLESS STEEL WALL PLATE WITH INTEGRATED ELECTRONICS**  
Battery-operated model: batteries can be replaced without shutting off the water or removing the valve

**INTELLIGENT AUTOMATIC ACTIVATION**  
Guaranteed hygiene and water savings

**PUSH-BUTTON**  
Voluntary activation



- **Hygiene:** automatic flush, no water stagnation (reduces bacterial development)
- **Comfort:** voluntary activation (push-button) or automatic flush
- **Efficiency and water savings:** direct flush reduces the risk of leaks, powerful flush is available instantly
- **Easy to install:** modular and adjustable waterproof housing (for walls and finishes)

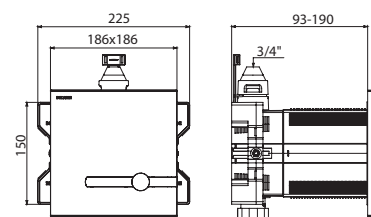
### TEMPOMATIC dual control

Electronic direct flush valve in a waterproof housing



- **Battery-operated with 123 6V Lithium batteries** or **230/6V mains supply** (cable and transformer supplied).
- **Satin finish stainless steel wall plate 186 × 186mm** and chrome-plated metal button **with integrated electronics.**
- **Waterproof recessing housing:**
  - Collar with waterproof seal.
  - Hydraulic connection from the outside and maintenance from the front.
  - Adjusts to all types of installation (rails, solid walls, panels).
  - Compatible with wall finishes 10 - 120mm (while maintaining the minimum recessing depth of 93mm).
  - Suitable for standard or "pipe-in-pipe" supply.
  - Stopcock and flow rate adjustment, activation and electronic unit are all integrated and accessible from the front.
  - TEMPOMATIC F<sup>3/4</sup>" flush valve is compatible with sea water and grey water.
  - Backflow prevention device inside the housing.
  - Supplied in 2 kits: secure system flush without sensitive elements.
- Shock-resistant infrared presence detection sensor.
- **Detection delay is 10 seconds.**
- **Voluntary activation** (anti-blocking push-button) or **automatically when the user leaves.**
- Independent push-button: the flush will activate even if the power supply fails.
- **"Intelligent" automatic rinsing** (flush volume adapts according to use).
- **3 programmes** (rinsing volume can be set according to type of WC pan).
- **Hygienic duty flush**, every 24 hours (can be adjusted to 12 hours or OFF) after the last use.
- Outlet connection for PVC tube Ø 26/32mm.
- Base flow rate: 1 L/sec.
- Suitable for rimless WC pans.

For version with TEMPOFIX 3 frame system: see page 176.



464PBOX + 464006

*Provisional availability 2<sup>nd</sup> half 2020.  
Please contact sales office to check availability.*

TEMPOMATIC dual control WC flush valve in a waterproof housing	
6V battery-operated	464PBOX + 464006
230/6V mains supply	464SBOX + 464000

*We recommend a flush tube (see page 184)*



- **Hygiene:** automatic flush, no manual contact, no water stagnation (reduces bacterial development)
- **Comfort:** voluntary activation or automatic flush
- **Vandal-resistant:** cross wall or recessed installation
- **Efficiency and water savings:** direct flush reduces the risk of leaks, powerful flush is available instantly

### TEMPOMATIC

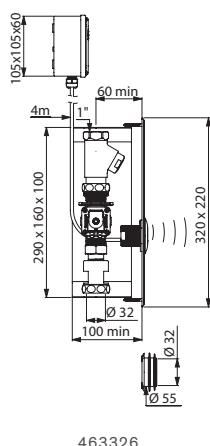
Recessed electronic flush valve



- Mains supply with 1" solenoid valve.
- 230/12V transformer.
- IP65 independent electronic unit.
- **Housing recessed behind a satin finish stainless steel wall plate 320 × 220mm.**
- Shock-resistant infrared presence detection sensor.
- **Voluntary activation** (when hand is moved towards the sensor, detection distance ~10cm) or **automatic flush** when the user leaves.
- **Time flow ~7 seconds**, can be adjusted from 3 - 12 seconds.
- **Detection distance, flow rate and flush volume can be adjusted.**
- Stopcock FF1".
- Vacuum breaker Ø 32mm.
- Connection washer Ø 32/55mm.
- Base flow rate: 1 L/sec.
- Suitable for rimless WC pans.

This model does not have a waterproof recessing housing. The installer must ensure that the recessing area is waterproof and any leaks or condensation can drain away (see installation guide).

For version with TEMPOFIX 3 frame system: see page 177



463326

TEMPOMATIC WC recessed flush valve	463326
<b>Option:</b> tamperproof screws (see page 208)	

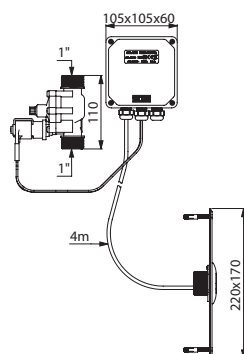
### TEMPOMATIC

Recessed electronic flush valve



- Mains supply with 1" solenoid valve.
- 230/12V transformer.
- IP65 independent electronic unit.
- **Housing recessed behind a satin finish stainless steel wall plate 220 × 170mm.**
- Shock-resistant infrared presence detection sensor.
- **Voluntary activation** (when hand is moved towards the sensor, detection distance ~10cm) or **automatic flush** when the user leaves.
- **Time flow ~7 seconds**, can be adjusted from 3 - 12 seconds.
- **Detection distance, flow rate and flush volume can be adjusted.**
- Suitable for rimless WC pans.
- **Sea water compatible.**

This model does not have a waterproof recessing housing. The installer must ensure that the recessing area is waterproof and any leaks or condensation can drain away (see installation guide).



463547

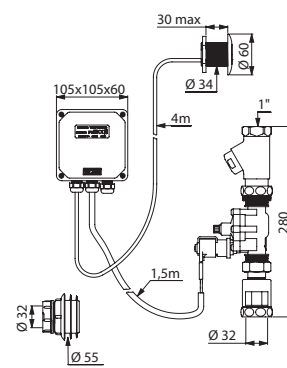
TEMPOMATIC WC recessed flush valve, sea water compatible	463547
<b>Option:</b> tamperproof screws (see page 208)	

### TEMPOMATIC

Cross wall electronic flush valve



- Mains supply with 1" solenoid valve.
- 230/12V transformer.
- IP65 independent electronic unit.
- **For cross wall installation.**
- Shock-resistant infrared presence detection sensor.
- **Voluntary activation** (when hand is moved towards the sensor, detection distance ~10cm) or **automatic flush** when the user leaves.
- **Time flow ~7 seconds**, can be adjusted from 3 - 12 seconds.
- **Detection distance, flow rate and flush volume can be adjusted.**
- Stopcock FF1".
- Vacuum breaker Ø 32mm.
- Connection washer Ø 32/55mm.
- Wall plate flush to the wall.
- Threaded rod can be cut to size.
- Base flow rate: 1 L/sec.
- Suitable for rimless WC pans.
- **Available without stopcock or backflow prevention device, for sea water compatible versions.**



463030

TEMPOMATIC WC cross wall flush valve	
For walls ≤ 30mm	463030
For walls ≤ 30mm, sea water compatible	463030HK
For walls ≤ 160mm	463150
For walls ≤ 160mm, sea water compatible	463150HK
For walls ≤ 225mm	463200
For walls ≤ 225mm, sea water compatible	463200HK
Alternative cross wall lengths are available on request	

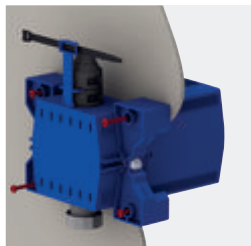
**One product for all types of installation**  
(adjustable fins)



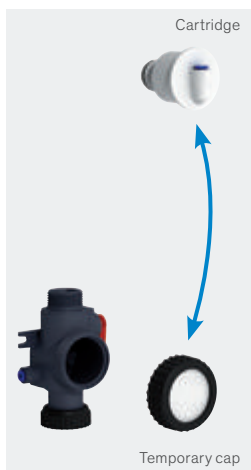
Plasterboard rails



Solid walls



Panels



Secure system flush

## TEMPOFLUX 3 RECESSED: 100% WATERPROOF RECESSING HOUSING, MODULAR AND ADAPTABLE

### Water savings

TEMPOFLUX 3 with **3L/6L dual flush** optimises flushing and water consumption. The flush volume can be adjusted to 2L/4L to achieve the highest standards for international labels. *For more information see page 17.* The **AB anti-blocking device** controls the flush volume regardless of how long the push-button is pressed for.

### Comfort

Thanks to its **soft-touch operation**, TEMPOFLUX 3 can be used by all users (children, the elderly or people with reduced mobility). The **acoustic level is low** and complies with European standard EN 12541 class II.

### Quick and easy to install

There are multiple installation options for the housing: fixing via the sides onto **plasterboard rails**, from the front onto a **solid wall**, or from the rear onto a **panel**. The cut-to-size housing is the only product available that **can adjust to thick walls as well as thin partition walls**. It can be installed on walls up to 120mm: bricks or concrete blocks for public and commercial installations subject to high levels of vandalism. TEMPOFLUX 3 connects from the outside of the housing to a standard installation or a "pipe-in-pipe" connection. During installation the cartridge is replaced by a temporary cap to facilitate and **secure the system flush**, without risking any damage to this sensitive element.

### Resistant to intensive use and vandalism

The wall plate will withstand extreme levels of demand. The fixings are concealed. Streamlined designs discourage attempts at vandalism. To prevent abuse or waste, TEMPOFLUX 3 is fitted with an **AB anti-blocking system**. This security feature prevents the valve from being blocked in the open position. The flush takes place only when the push-button is released.

### Waterproof recessing

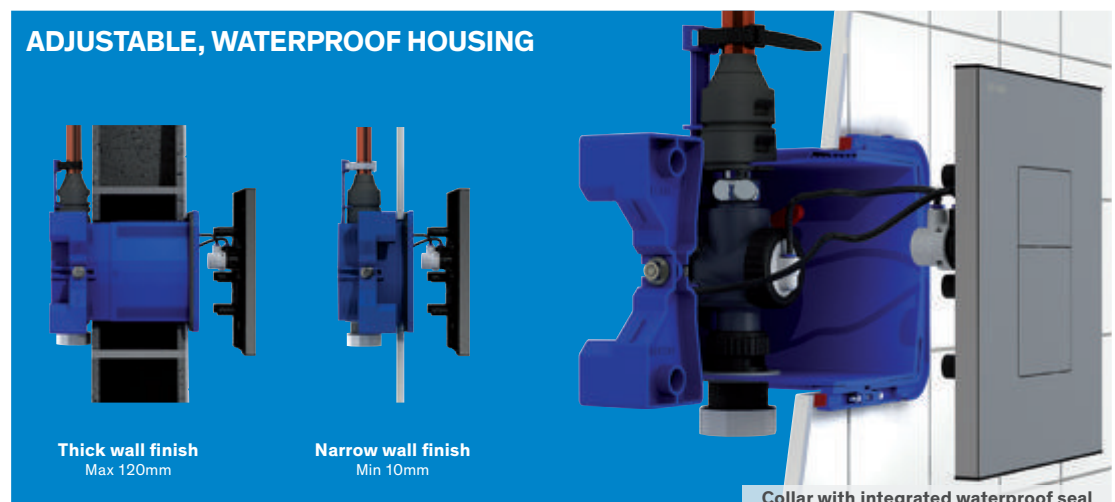
Standard housings on the market are designed to be cut to size flush to the wall, which increases the risk of leaks between the wall and collar. DELABIE has developed a housing that can be cut to size in front of the collar, which ensures a **perfect seal**. The **waterproof seal is integrated into the collar**. The installer does not need to apply anything else (silicone, jointing compound, PTFE, etc.). The housing has notches to clip the collar onto and fix it in place easily (patented system).

### Minimal servicing and simple to maintain

The cartridge, activation unit and stopcock are all **accessible from the front**. Simply remove the wall plate to gain access. The flush volume can be adjusted (3L/6L or 2L/4L) directly on the rear of the wall plate **without shutting off the water supply or removing the flush valve**. Unlike other standard products on the market, TEMPOFLUX 3's **backflow prevention device** is **located inside the housing**. In case of backflow, the water will evacuate in front of the wall via the housing, and not behind (or into) the wall. The flush valve is suitable for grey water and sea water. The flush valve can be disconnected and removed from the inside, without removing the housing, for in-depth maintenance or protecting from frost.

### Design

The TEMPOFLUX 3's wall plate has a **timeless design**, available in two finishes: satin finish stainless steel or chrome-plated metal. Thanks to its **sleek lines**, it fits perfectly in any type of public and commercial building. Its smooth surface limits the build-up of dirt and facilitates cleaning.





- **Hygiene:** no water stagnation (reduces bacterial development)
- **Comfort:** soft-touch operation, low acoustic level complies with European standard EN 12541 class II
- **Efficiency and water savings:** direct flush reduces the risk of leaks, powerful flush is available instantly, dual flush 3L/6L
- **Easy to install:** modular and adjustable waterproof housing (for walls and finishes)

### TEMPOFLUX 3

Time flow direct flush valve in a waterproof housing



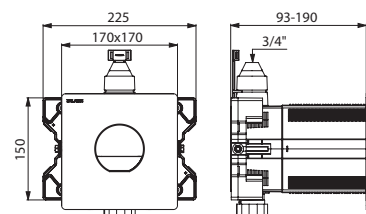
- **Chrome-plated metal 170 × 170mm** or **satin finish stainless steel wall plate 210 × 162mm.**
- **Waterproof recessing housing:**
  - Collar with waterproof seal.
  - Hydraulic connection from the outside and maintenance from the front.
  - Adjusts to all types of installation (rails, solid walls, panels).
  - Compatible with wall finishes 10 - 120mm (while maintaining the minimum recessing depth of 93mm).
  - Suitable for standard or "pipe-in-pipe" supply.
  - Stopcock and flow rate adjustment, activation unit and cartridge are all integrated and accessible from the front.
  - TEMPOFLUX 3 3/4" flush valve is compatible with sea water and grey water.
  - Backflow prevention device inside the housing.
  - Supplied in 2 kits: secure system flush without sensitive elements.
- **Soft-touch operation.**
- **AB anti-blocking system:** water only flows when the push-button is released.
- **Dual flush 3L/6L, can be adjusted to 2L/4L.**
- Outlet connection for PVC tube Ø 26/32mm.
- Acoustic level complies with European standard EN 12541 class II.
- Base flow rate: 1 L/sec.
- Suitable for rimless WC pans.

For version with TEMPOFIX 3 frame system: see page 181.

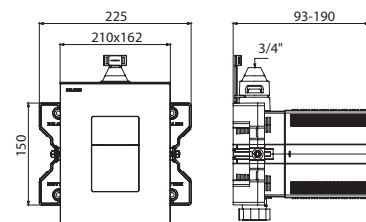
*Provisional availability 1<sup>st</sup> half 2020.  
Please contact sales office to check availability.*

TEMPOFLUX 3 flush valve in a waterproof housing	
Chrome-plated metal wall plate	<b>763BOX + 763040</b>
Satin finish stainless steel wall plate	<b>763BOX + 763000</b>

*We recommend a flush tube (see page 184)*



763BOX + 763040



763BOX + 763000





- **Hygiene:** no water stagnation (reduces bacterial development)
- **Comfort:** soft-touch operation, low acoustic level complies with European standard EN 12541 class II
- **Efficiency and water savings:** direct flush reduces the risk of leaks, powerful flush is available instantly, 3L/6L dual flush
- **Vandal-resistant:** recessed or cross wall installation

### TEMPOFLUX 2 WC

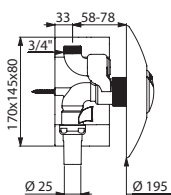
Recessed time flow flush valve



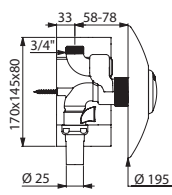
- Chrome-plated metal wall plate Ø 195mm.
- Multipurpose recessing housing.
- Recessing depth can be adjusted 0 - 20mm.
- Available with 6L single flush or 3L/6L dual flush can be adjusted to 2L/4L.
- **Soft-touch operation.**
- **Vacuum breaker.**
- **Integrated stopcock and flow rate/flush volume adjuster.**
- Solid brass body.
- Chrome-plated metal push-button.
- In-line inlet M<sup>3</sup>/<sub>4</sub>".
- Outlet connection for PVC tube Ø 26/32mm.
- **Acoustic level complies with European standard EN 12541 class II.**
- Base flow rate: 1 L/sec.
- Suitable for rimless WC pans.

This model does not have a waterproof recessing housing.  
The installer must ensure that the recessing area is waterproof and any leaks or condensation can drain away (see installation guide).

For version with TEMPOFIX 3 frame system: see pages 182-183.



762902



762901

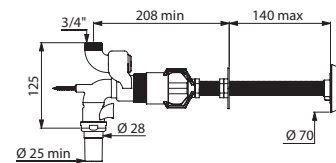
TEMPOFLUX 2 recessed flush valve	
3L/6L dual flush (DELABIE patented)	762902
6L single flush	762901

### TEMPOFLUX 2 WC

Cross wall time flow flush valve



- For walls ≤ 140mm.
- **3L/6L dual flush** can be adjusted to 2L/4L.
- **Soft-touch operation.**
- **Vacuum breaker.**
- **Integrated stopcock and flow rate/flush volume adjuster.**
- Solid brass body.
- Chrome-plated metal push-button.
- In-line inlet M<sup>3</sup>/<sub>4</sub>".
- Outlet connection for PVC tube Ø 26/32mm.
- Threaded rod can be cut to size.
- **Acoustic level complies with European standard EN 12541 class II.**
- Base flow rate: 1 L/sec.
- Suitable for rimless WC pans.



762150

TEMPOFLUX 2 cross wall flush valve	
	762150





## TEMPOFIX 3: SPECIFICALLY DESIGNED FOR INTENSIVE USE IN PUBLIC AND COMMERCIAL PLACES

### Easy to install

Installation and commissioning time should be taken into account when determining the total product cost, especially when installing a large number of products in public and commercial places.

The TEMPOFIX 3 frame system is delivered pre-mounted.

The remaining components (flush tube and soil pipe) are assembled by clipping into place. It is quick and easy to install.

When fixing the self-supporting TEMPOFIX 3 version of the frame system, the floor quality is the main criteria: the concrete floor should withstand a minimum load of 350kg/m<sup>3</sup>.

It is possible to install on non-load bearing floors (parquet, floors with underfloor heating, etc.) thanks to the wall-mounted model which is fixed to load-bearing walls.

DELABIE recommends a 25mm minimum wall thickness + tiling (= 2 x ½" wall boards or 1 x 1" wall board).

### Easy to adjust

Adjusting the pan height is simple: a mark indicates the "1-metre" point from the floor surface on the frame system.

### Vandal-resistant

The structure of DELABIE's frame system is made from powder-coated steel. Its design provides it with an unrivalled resistance to deformation.

The French standard NF D12-208 requires that frame systems flex no more than 5mm when subjected to a uniformly distributed load of 400kg.

The TEMPOFIX 3 withstands 400kg loads and therefore meets this requirement.

It is delivered with large stable feet (for self-supporting installation) or with wall fixings (for wall-mounted installation).

### Advantages of wall-hung WCs

The height of the pan can be adjusted to suit the needs of the user, from children to people with reduced mobility.

A wall-hung WC allows easy access to clean the floor below the WC pan.

### Space saving

On average the TEMPOFIX 3 takes up 30% less space than other frame systems on the market. It is one of the most compact frame systems.

With no need for a cistern, it can be installed in the tightest of places such as service ducts.

The wall-anchoring bolts enable two TEMPOFIX 3 to be fixed back-to-back in a communal service duct (in Ladies and Gents toilets) without the need for a partition wall.

### Optimised for stocking

Reduced frame weight and product packaging save space for storage and are an advantage for being kept on construction sites.

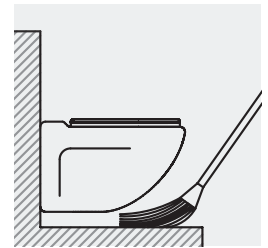
### Products suited to the needs of public and commercial places

Increasingly in public and commercial places, plasterboard walls are being replaced by gypsum blocks, brick, or even cinder blocks in order to improve the durability of the installations.

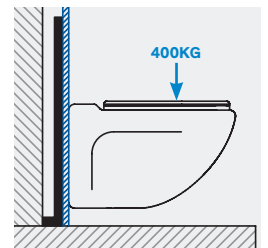
The TEMPOFIX 3, equipped with a new waterproof recessing housing, functions electronically (TEMPOMATIC dual control) or with timed flow (TEMPOFLUX 3), and the one model can adjust to any type of wall finish from 10 - 120mm.

DELABIE has developed its range of TEMPOFLUX 2 direct flush valves, offering extended versions of the valves and frames so that they can be adjusted to thicker walls up to 130mm.

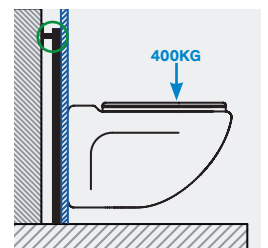
Such an innovative installation would prove difficult to achieve with cisterns.



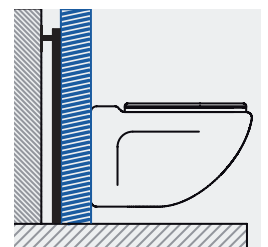
Easy to clean



Self-supporting TEMPOFIX 3



Wall-mounted TEMPOFIX 3



TEMPOFIX 3 for thick walls



- **Hygiene:** automatic flush, no water stagnation (reduces bacterial development)
- **Specifically designed for public and commercial places:** space saving, easy to clean, withstands intensive use
- **Easy to install:** frame system delivered pre-mounted, clip into place assembly
- **Efficiency and water savings:** direct flush reduces the risk of leaks, powerful flush is available instantly

## TEMPOFIX 3 with TEMPOMATIC dual control

Frame system with electronic WC flush valve



- Black powder-coated steel frame.
- Frame height can be adjusted from 0 - 200mm (with 1m mark).
- Ø 32mm flush tube with Ø 55mm connection washer.
- Soil pipe:
  - PVC, Ø 100mm outlet to be glued onto the waterproof seal, with 2 setting positions (ref. 564065, 564005, 564060 and 564000).
  - ABS, with Ø 90mm HDPE sleeve connector (ref. 564065BE, 564005BE, 564060BE and 564000BE) or Ø 110mm (ref. 564065DE, 564005DE, 564060DE and 564000DE) with waterproof seal, with 2 setting positions.
- Delivered pre-mounted.
- **Complies with French standard NF D12-208.**
- **Compatible with solid wall finishes from 10 - 120mm.**

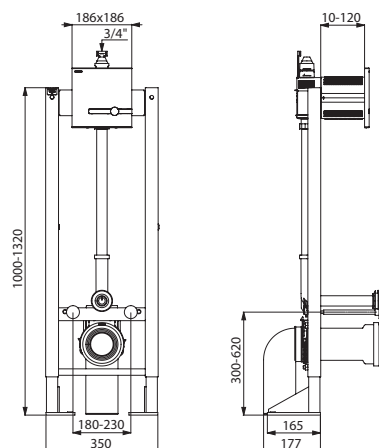
### Available in 2 versions:

Self-supporting frame system with large feet to fix to load-bearing floors.  
Wall-mounted frame system to fix to load-bearing walls.

### Fitted with TEMPOMATIC dual control F¾" electronic direct flush valve:

- Battery-operated with 123 6V Lithium batteries or 230/6V mains supply (cable and transformer supplied).
- Satin finish stainless steel wall plate 186 × 186mm and chrome-plated metal button with integrated electronics.
- Waterproof recessing housing.
- Detection delay is 10 seconds.
- **Voluntary activation** (anti-blocking push-button) or **automatically** when the user leaves.
- **"Intelligent" automatic rinsing** (flush volume adapts according to use).
- **3 programmes** (rinse volume can be set according to type of WC pan).
- **Hygienic duty flush**, every 24 hours (can be adjusted to 12 hours or OFF) after the last use.
- Backflow prevention device inside the housing.
- Integrated stopcock and flow rate adjuster.
- Compatible with sea water and grey water.

Technical characteristics: see *TEMPOMATIC dual control* page 168.



Provisional availability 2<sup>nd</sup> half 2020.

Please contact sales office to check availability.

### TEMPOFIX 3 with TEMPOMATIC WC dual control

Self-supporting model - 6V battery-operated	564065 + 464006
Self-supporting model - 230/6V mains supply	564005 + 464000
Wall-mounted version - 6V battery-operated	564060 + 464006
Wall-mounted version - 230/6V mains supply	564000 + 464000

**For Ø 90mm (or 110mm) soil pipe outlet versions:**

add "BE" (or "DE") after the reference for kit 1

**Options:** wall fixings, sleeve connector and connection kit for disabled WC

(see page 184)

564065 + 464006



- **Hygiene:** automatic flush, no manual contact, no water stagnation (reduces bacterial development)
- **Specifically designed for public and commercial places:** space saving, easy to clean, withstands intensive use
- **Easy to install:** frame system delivered pre-mounted
- **Efficiency and water savings:** direct flush reduces the risk of leaks, powerful flush is available instantly

## TEMPOFIX 3 with TEMPOMATIC

Frame system with electronic WC flush valve



- Black powder-coated steel frame.
- Frame height can be adjusted from 0 - 200mm (with 1m mark).
- Ø 32mm flush tube with Ø 55mm connection washer.
- Soil pipe:
  - PVC, Ø 100mm outlet to be glued onto the waterproof seal, with 2 setting positions (ref. 547005 and 547000).
  - ABS, with Ø 90mm HDPE sleeve connector (ref. 547005BE and 547000BE) or Ø 110mm (ref. 547005DE and 547000DE) with waterproof seal, with 2 setting positions.
- Delivered pre-mounted.
- **Complies with French standard NF D12-208.**
- **Compatible with solid wall finishes from 26 - 130mm.**

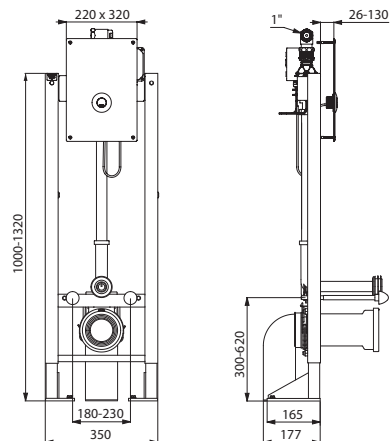
### Available in 2 versions:

Self-supporting frame system with large feet to fix to load-bearing floors.  
Wall-mounted frame system to fix to load-bearing walls.

### Fitted with TEMPOMATIC F1" electronic direct flush valve:

- Mains supply with 1" solenoid valve.
- Satin finish stainless steel wall plate 320 × 220mm.
- IP65 independent electronic unit.
- 230/12V transformer.
- Shock-resistant infrared presence detection sensor.
- **Voluntary activation** when hand is moved towards the sensor, detection distance ~10cm or **automatically** when the user leaves.
- **Time flow ~7 seconds**, can be adjusted from 3 - 12 seconds.
- Integrated stopcock and flow rate / flush volume adjuster.
- Detection distance can be adjusted by the installer.

Technical characteristics: see *TEMPOMATIC WC* page 169.



TEMPOFIX 3 with TEMPOMATIC WC	
Self-supporting model	547005 + 546412
Wall-mounted version	547000 + 546412

**For Ø 90mm (or 110mm) soil pipe outlet versions:**

add "BE" (or "DE") after the reference for kit 1

**Options:** wall fixings, sleeve connector and connection kit for disabled WC (see page 184)

547005 + 546412



Simple to install



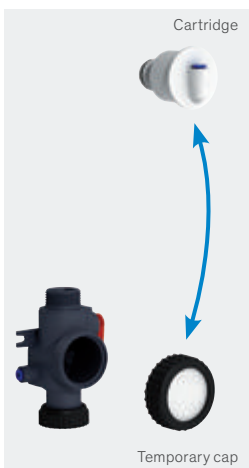
Design



Water savings



Soft-touch operation



Secure system flush

## TEMPOFIX 3 WITH TEMPOFLUX 3

### Easy to install

Installation and commissioning time should be taken into account when determining the total product cost, especially when installing a large number of products in public and commercial places. The TEMPOFIX 3 frame system **is delivered pre-mounted**. The remaining components (soil pipe and housing) are assembled by clipping into place. The WC pan height is easy to adjust: a mark indicates the "1-metre" point from the floor surface to the frame system. It is quick and easy to install.

TEMPOFLUX 3 connects from the outside of the housing to a **standard installation or a "pipe-in-pipe" connection**. The housing can be cut to size to fit **wall finishes up to 120mm**: thick walls (bricks or cinder blocks) for public and commercial installations subject to high levels of vandalism.

### Secure system flush

During installation the cartridge is replaced by a temporary cap to facilitate and **secure the system flush**, without risking any damage to this sensitive element.

### Design

The TEMPOFLUX 3's wall plate has a **timeless design**, available in satin finish stainless steel or chrome-plated metal. Thanks to its **sleek lines**, it fits perfectly in any type of public and commercial building.

### Water savings

TEMPOFLUX 3 with **3L/6L dual flush** optimises flushing and water consumption. The flush volume can be adjusted to 2L/4L, to achieve the highest standards for environmental labels. The **AB anti-blocking device** controls the flush volume regardless of how long the push-button is pressed for.

### Comfort

Thanks to its **soft-touch operation**, TEMPOFLUX 3 can be used by all users (children, the elderly or people with reduced mobility). The **acoustic level is low** and complies with European standard EN 12541 class II.

### Minimal servicing and simple to maintain

The cartridge, activation unit and stopcock are all **accessible from the front**. Simply remove the wall plate to gain access. The flush volume can be adjusted (3L/6L or 2L/4L) directly on the rear of the wall plate, **without shutting off the water supply or removing the WC valve**.

Unlike other standard products on the market, TEMPOFLUX 3's **backflow prevention device** is located **inside the housing**. In case of backflow, the water will evacuate in front of the wall via the housing, and not behind (or into) the wall.

The flush valve is suitable for grey water and sea water. The flush valve can be disconnected and removed from the inside, without removing the housing, for in-depth maintenance or protecting from frost.

## A SINGLE PRODUCT for wall thicknesses from 10 - 120mm

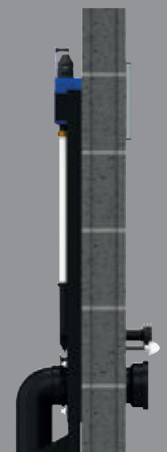
**Dry walls (plasterboard):**  
Min. 10mm thick.

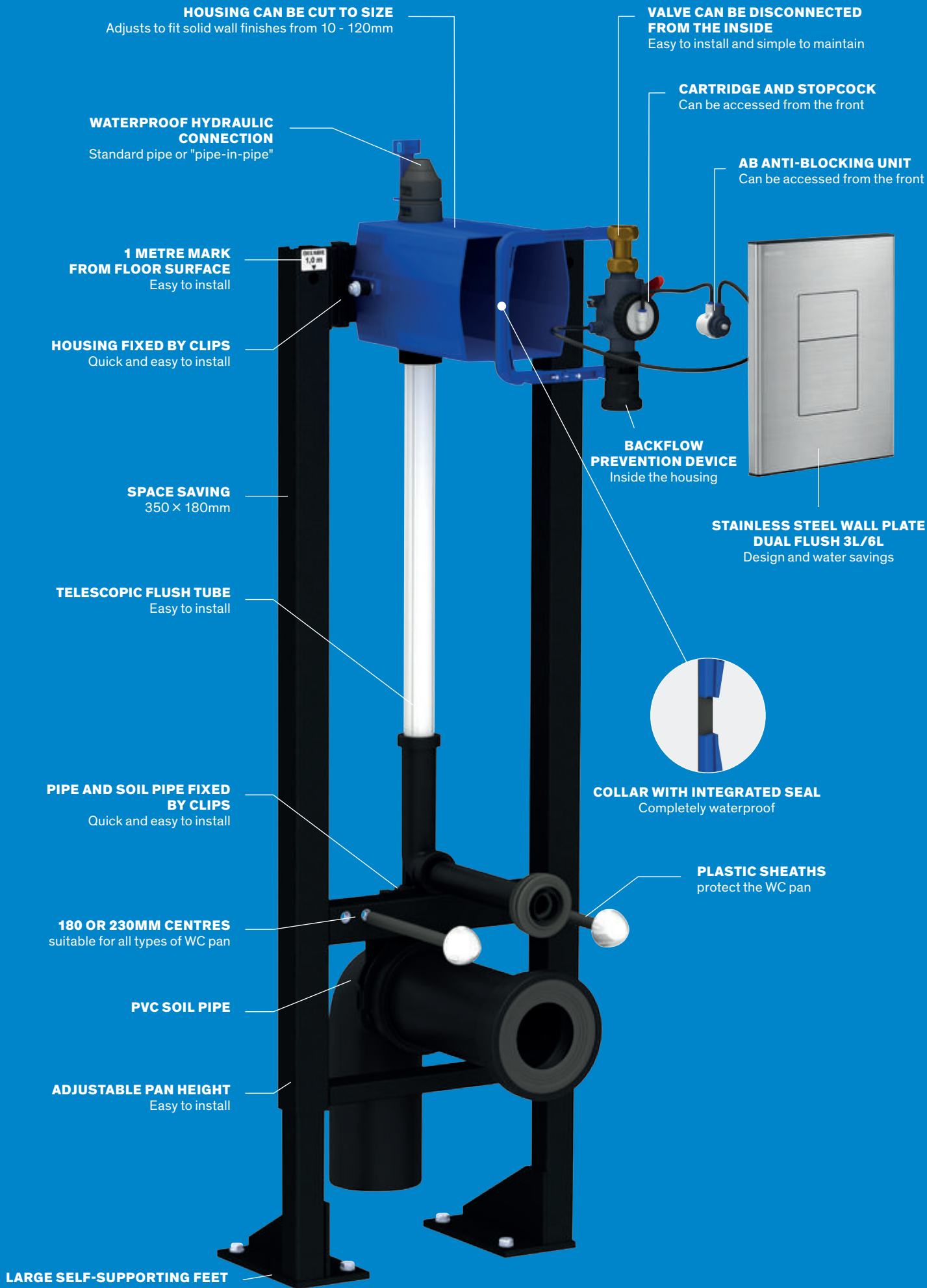


**Semi-thick walls made from gypsum blocks:**



**Thick walls made from bricks or cinder blocks:**  
Max. 120mm thick.







TEMPOFIX 3 frame system with TEMPOFLUX 3 direct flush time flow valve **564065 + 763000** - 135° Nylon grab bar **5081N** - Nylon drop-down rail **5164N**  
Wall-mounted toilet brush set with ergonomic handle **4051N** - U-shaped Nylon toilet roll holder **4081N**



- **Hygiene:** no water stagnation (reduces bacterial development)
- **Specifically designed for public and commercial places:** space saving, easy to clean, withstands intensive use
- **Easy to install:** frame system delivered pre-mounted, clip into place assembly
- **Efficiency and water savings:** direct flush reduces the risk of leaks, powerful flush is available instantly, 3L/6L dual flush

### TEMPOFIX 3 with TEMPOFLUX 3

Frame system with time flow WC flush valve



- Black powder-coated steel frame.
- Frame height can be adjusted from 0 - 200mm (with 1m mark).
- Ø 32mm flush tube with Ø 55mm connection washer.
- Soil pipe:
  - PVC, Ø 100mm outlet to be glued onto the waterproof seal, with 2 setting positions (ref. 564065, 564005, 564060 and 564000).
  - ABS, with Ø 90mm HDPE sleeve connector (ref. 564065BE, 564005BE, 564060BE and 564000BE) or Ø 110mm (ref. 564065DE, 564005DE, 564060DE and 564000DE) with waterproof seal, with 2 setting positions.
- Delivered pre-mounted.
- **Complies with French standard NF D12-208.**
- **Compatible with solid wall finishes from 10 - 120mm.**

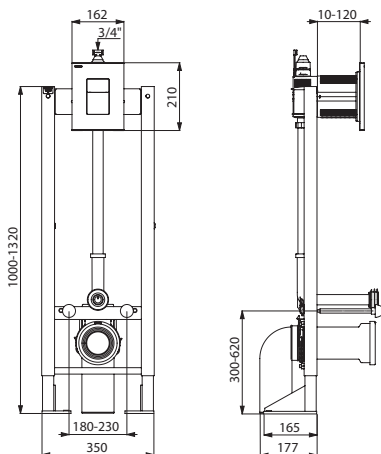
**Available in 2 versions:**

Self-supporting frame system with large feet to fix to load-bearing floors.  
Wall-mounted frame system to fix to load-bearing walls.

**Fitted with a TEMPOFLUX 3 F¾" time flow direct flush valve:**

- Satin finish stainless steel wall plate 210 × 162mm or chrome-plated metal wall plate 170 × 170mm.
- Waterproof recessing housing.
- **Soft-touch operation.**
- **Dual flush 3L/6L, can be adjusted to 2L/4L.**
- **AB anti-blocking system.**
- Backflow prevention device inside the housing.
- Integrated stopcock and flow rate adjuster.
- Acoustic level complies with European standard EN 12541 class II.
- Compatible with sea water and grey water.

Technical characteristics: see *TEMPOFLUX 3* page 171.



564065 + 763000

*Provisional availability 1<sup>st</sup> half 2020.  
Please contact sales office to check availability.*

TEMPOFIX 3 with TEMPOFLUX 3	
<b>With satin finish stainless steel wall plate</b>	
Self-supporting model	564065 + 763000
Wall-mounted version	564060 + 763000
<b>With chrome-plated metal wall plate</b>	
Self-supporting model	564065 + 763040
Wall-mounted version	564060 + 763040

**For Ø 90mm (or 110mm) soil pipe outlet versions:**

add "BE" (or "DE") after the reference for kit 1

**Options:** wall fixings, sleeve connector and connection kit for disabled WC (see page 184)



- **Hygiene:** no water stagnation (reduces bacterial development)
- **Specifically designed for public and commercial places:** space saving, easy to clean, withstands intensive use
- **Easy to install:** frame system delivered pre-mounted
- **Efficiency and water savings:** direct flush reduces the risk of leaks, powerful and constantly available flush, 3L/6L dual flush

## TEMPOFIX 3 with TEMPOFLUX 2

Frame system for narrow walls



- Black powder-coated steel frame.
- Frame height can be adjusted from 0 - 200mm (with 1m mark).
- Ø 32mm flush tube with Ø 55mm connection washer.
- Soil pipe:
  - PVC, Ø 100mm outlet to be glued onto the waterproof seal, with 2 setting positions (ref. 578305, 578300, 578400 and 578405).
  - ABS, with Ø 90mm HDPE sleeve connector (ref. 578305BE, 578300BE, 578400BE and 578405BE) or Ø 110mm (ref. 578305DE, 578300DE, 578400DE and 578405DE) with waterproof seal, with 2 setting positions.
- Delivered pre-mounted.
- **Complies with French standard NF D12-208.**
- **For walls from 10 - 35mm.**

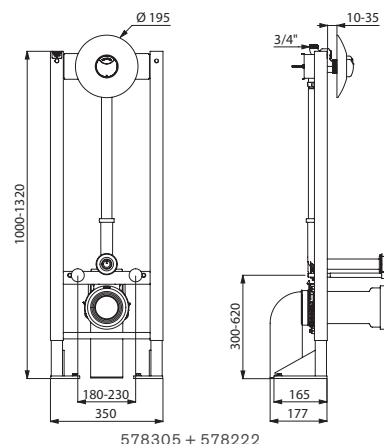
### Available in 2 versions:

Self-supporting frame system with large feet to fix to load-bearing floors.  
Wall-mounted frame system to fix to load-bearing walls.

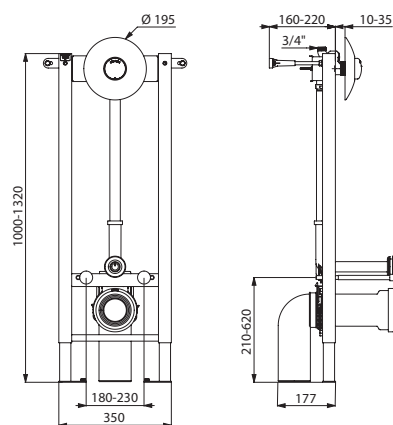
### Fitted with TEMPOFLUX 2 time flow direct flush valve:

- Ø 195mm chrome-plated metal wall plate with concealed fixings.
- **Available with 6L single flush or 3L/6L dual flush** (can be adjusted to 2L/4L).
- **Soft-touch operation.**
- Vacuum breaker.
- **Stopcock and flow rate/volume adjuster.**
- Solid brass body and shock-resistant, scale-resistant mechanism.
- In-line inlet M $\frac{3}{4}$ ".
- Acoustic level complies with European standard EN 12451 class II.

Technical characteristics: see TEMPOFLUX 2 page 175.



578305 + 578222



578300 + 578212

TEMPOFIX 3 with TEMPOFLUX 2 for walls from 10 - 35mm	
<b>Self-supporting model</b>	
3L/6L dual flush (DELABIE patented)	<b>578305 + 578222</b>
6L single flush (6L flush, can be adjusted to 9L)	<b>578305 + 578212</b>
<b>Wall-mounted version</b>	
3L/6L dual flush (DELABIE patented)	<b>578300 + 578222</b>
6L single flush (6L flush, can be adjusted to 9L)	<b>578300 + 578212</b>
<b>For Ø 90mm (or 110mm) soil pipe outlet versions:</b> add "BE" (or "DE") after the reference for kit 1	
<b>Options:</b> wall fixings, sleeve connector and connection kit for disabled WC (see page 184)	





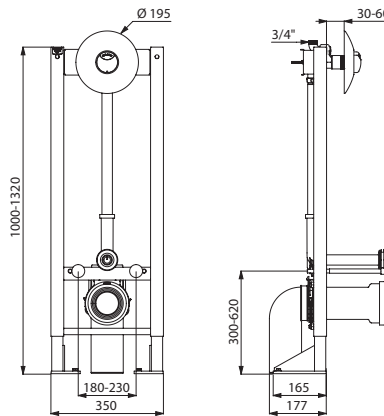
- **Hygiene:** no water stagnation (reduces bacterial development)
- **Specifically designed for public and commercial places:** space saving, easy to clean, withstands intensive use
- **Easy to install:** frame system delivered pre-mounted
- **Efficiency and water savings:** direct flush reduces the risk of leaks, powerful and constantly available flush, 3L/6L dual flush

### TEMPOFIX 3 with TEMPOFLUX 2

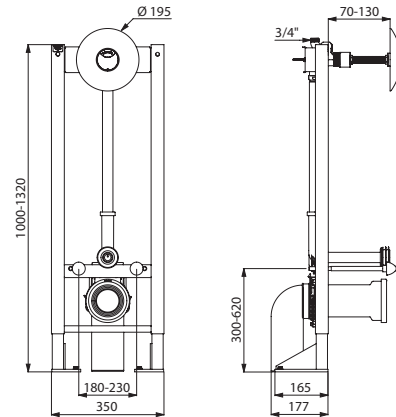
Frame system for semi-thick or thick walls



- See opposite for technical description.
- **For semi-thick solid walls from 30 - 60mm or thick walls from 70 - 130mm.**
- Available with 6L single flush or 3L/6L dual flush (can be adjusted to 2L/4L).



578405 + 578222



578305 + 578230

#### TEMPOFIX 3 with TEMPOFLUX 2 for semi-thick walls from 30 - 60mm

##### Self-supporting model

3L/6L dual flush (DELABIE patented)	578405 + 578222
6L single flush (6L flush, can be adjusted to 9L)	578405 + 578212

##### Wall-mounted version

3L/6L dual flush (DELABIE patented)	578400 + 578222
6L single flush (6L flush, can be adjusted to 9L)	578400 + 578212

#### TEMPOFIX 3 with TEMPOFLUX 2 for thick, solid walls from 70 - 130mm

Self-supporting model	578305 + 578230
3L/6L dual flush (DELABIE patented)	578305 + 578230
Wall-mounted version	578300 + 578230
3L/6L dual flush (DELABIE patented)	578300 + 578230

**For Ø 90mm (or 110mm) soil pipe outlet versions:** add "BE" (or "DE") after the reference for kit 1  
**Options:** wall fixings, sleeve connector and connection kit for disabled WC (see page 184)

### RECOMMENDATIONS

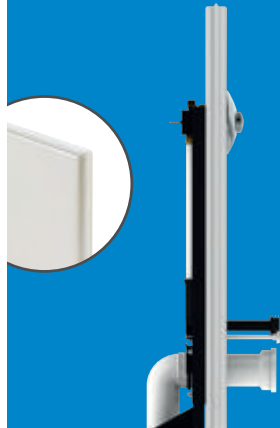
#### For dry walls / plasterboard walls:

Wall thickness: 10 - 35mm



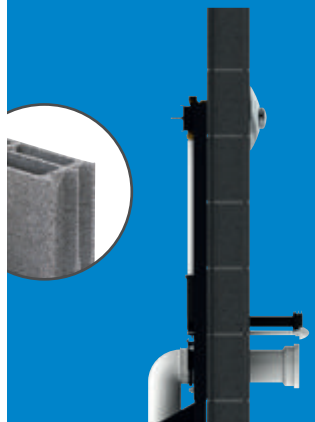
#### For semi-thick gypsum block walls:

Wall thickness: 30 - 60mm



#### For thick brick or cinder block walls:

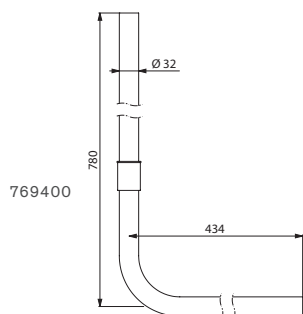
Wall thickness: 70 - 130mm



**Cross wall / recessed flush tube for WC pans**



- For TEMPOMATIC, TEMPOFLUX 2 and 3.
- PVC tube for recessed or cross wall installation.
- Ø 26/32mm (without connection washer).

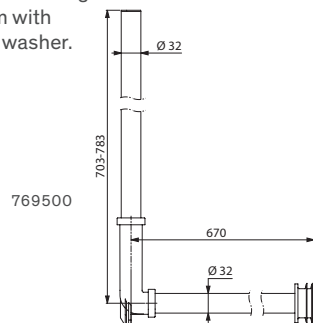


**Cross wall / recessed flush tube for WC pans** **769400**

**Cross wall / recessed flush tube for WC pans**



- For TEMPOMATIC, TEMPOFLUX 2 and 3.
- PVC tube, HDPE pipe.
- For recessed or cross wall installation on walls ≤ 60mm to fix the lug screw.
- Ø 26/32mm with connection washer.

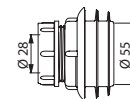


**Cross wall / recessed flush tube for WC pans** **769500**

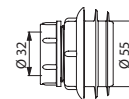
**Connection washer**



- With clamp.
- Neck Ø 55mm.



705028



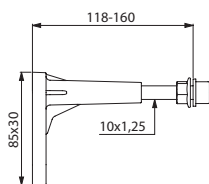
705000

<b>Connection washer</b>	
For tubes Ø 28mm	<b>705028</b>
For tubes Ø 32mm	<b>705000</b>

**Wall fixings**



- Fixing kit for upper section of TEMPOFIX 3 frame system.
- 2 chrome-plated metal wall fixings, for reinforcing upper section of frame system.
- For installing if floors are non-load bearing.



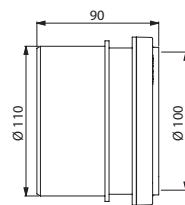
578MUR

**TEMPOFIX 3 wall fixings** **578MUR**

**Sleeve connector**



- For horizontal evacuation.
- Ø 100/110mm.
- PVC or high-density polyethylene (HDPE).



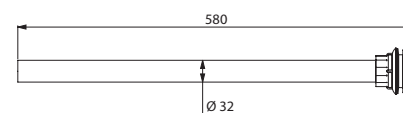
578110

<b>Sleeve connector</b>	
PVC, Ø 100/100mm	<b>578100</b>
HDPE, Ø 100/90mm	<b>578090</b>
HDPE, Ø 100/110mm	<b>578110</b>

**Connection kit for disabled WCs**



- Extended supply tube Ø 32mm, L. 580mm.
- Ø 55mm connection washer.



578PMR

**Connection kit for disabled WCs** **578PMR**



BED PAN CLEANER  
WC5 - FRAME



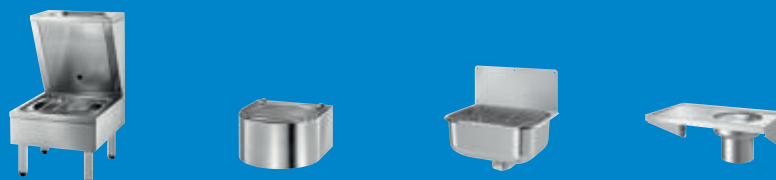
SECURITHERM thermostatic mixer with BIOCLIP stainless steel spout with BIOFIL cartridge filter **H9614P + 20051P.10P**  
Surgical scrub-up trough with upstand "Hygiene +" design **187000** - Stainless steel paper towel dispenser **6607D**

# Sanitary ware

SURGICAL SCRUB  
UP TROUGHS  
**188**



DISPOSAL SINKS  
CLEANERS' SINKS  
PLASTER SINK  
**190**



DRINKING FOUNTAINS  
**193**



HAND WASHBASINS  
**194**

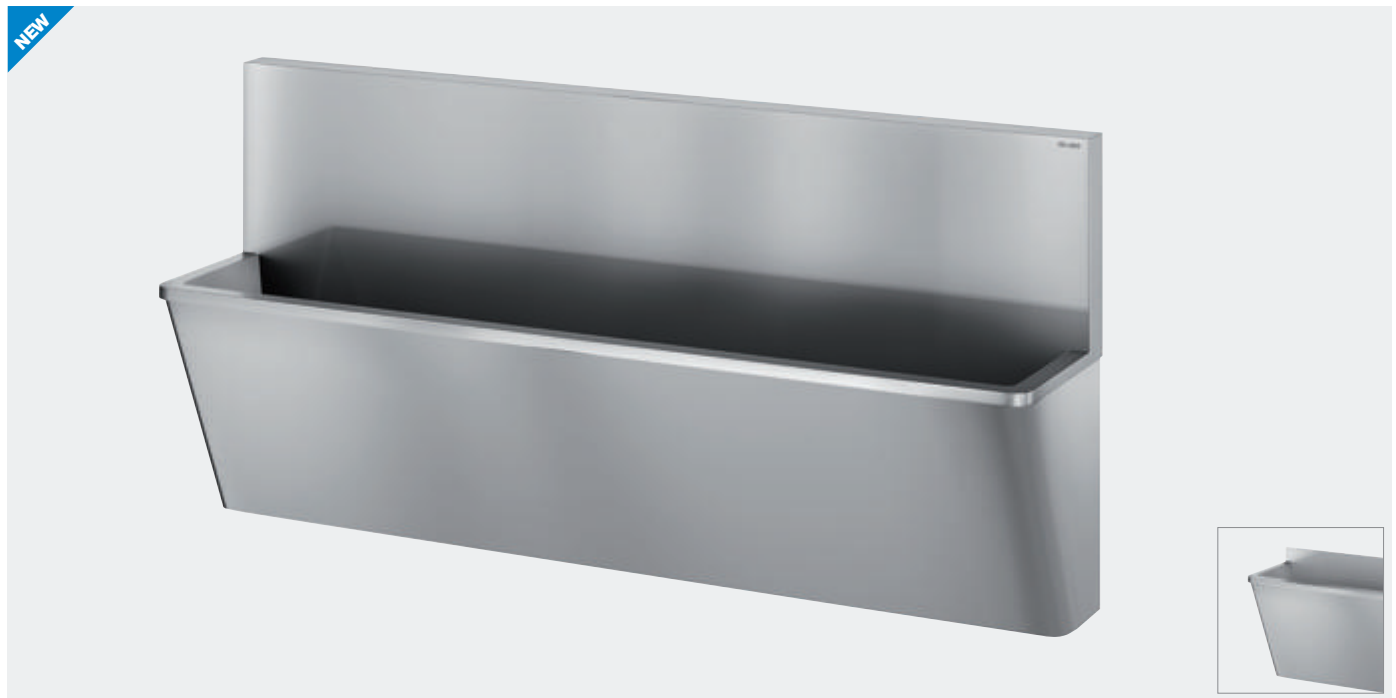


WASHBASINS  
**196**



**Surgical scrub up trough**

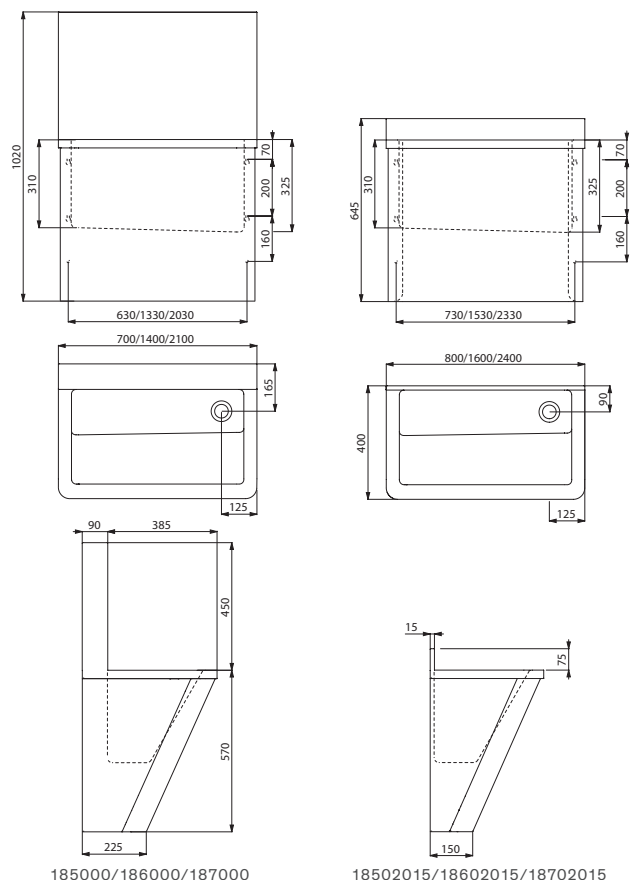
High or low upstand - "Hygiene +" design



- Wall-mounted surgical scrub up trough with 450mm upstand or 75mm upstand.
- Models with low upstand comply with the former HTM64 guidance and new Health Building Note 00-10: Part C - Sanitary Assemblies (ref. 18502015, 18602015 and 18702015).
- Bacteriostatic 304 stainless steel. Stainless steel thickness: 1.2mm.
- Smooth surface and rounded inside edges for easy cleaning.
- "Hygiene +" design: reduces niches where bacteria can develop, concealed trap, easy to clean.
- Drainage on the right. Without overflow. Supplied with fixing elements.
- Weight: version with high upstand: 20.3kg for the 700mm model; 34.4kg for the 1,400mm model; 48.5kg for the 2,100mm model. Version with low upstand: 15.6kg for the 700mm model; 17.2kg for the 800mm model; 26.6kg for the 1400mm model; 29.8kg for the 1,600mm model; 37.6kg for the 2100mm model; 42.5kg for the 2,400mm model.

Surgical scrub up trough with high upstand		
<b>Without tap hole</b>		
Polished satin 304 st steel - L. 700mm - 1 service	⌚	<b>185000</b>
Polished satin 304 st steel - L. 1,400mm - 2 services	⌚	<b>186000</b>
Polished satin 304 st steel - L. 2,100mm - 3 services	⌚	<b>187000</b>
<b>With 1 single tap hole Ø 22mm per service</b>		
Polished satin 304 st steel - L. 700mm - 1 service	⌚	<b>185100</b>
Polished satin 304 st steel - L. 1,400mm - 2 services	⌚	<b>186100</b>
Polished satin 304 st steel - L. 2,100mm - 3 services	⌚	<b>187100</b>
<b>With 1 twin tap hole Ø 22mm with 150mm centres per service</b>		
Polished satin 304 st steel - L. 700mm - 1 service	⌚	<b>185200</b>
Polished satin 304 st steel - L. 1,400mm - 2 services	⌚	<b>186200</b>
Polished satin 304 st steel - L. 2,100mm - 3 services	⌚	<b>187200</b>
Surgical scrub up trough with low upstand		
<b>Without tap hole</b>		
Polished satin 304 st steel - L. 700 - 1 service	⌚	<b>185020</b>
Polished satin 304 st steel - L. 1,400 - 2 services	⌚	<b>186020</b>
Polished satin 304 st steel - L. 2,100 - 3 services	⌚	<b>187020</b>
<b>Without tap hole (HTM64)</b>		
Polished satin 304 st steel - L. 800mm - 1 service	⌚	<b>18502015</b>
Polished satin 304 st steel - L. 1,600mm - 2 services	⌚	<b>18602015</b>
Polished satin 304 st steel - L. 2,400mm - 3 services	⌚	<b>18702015</b>

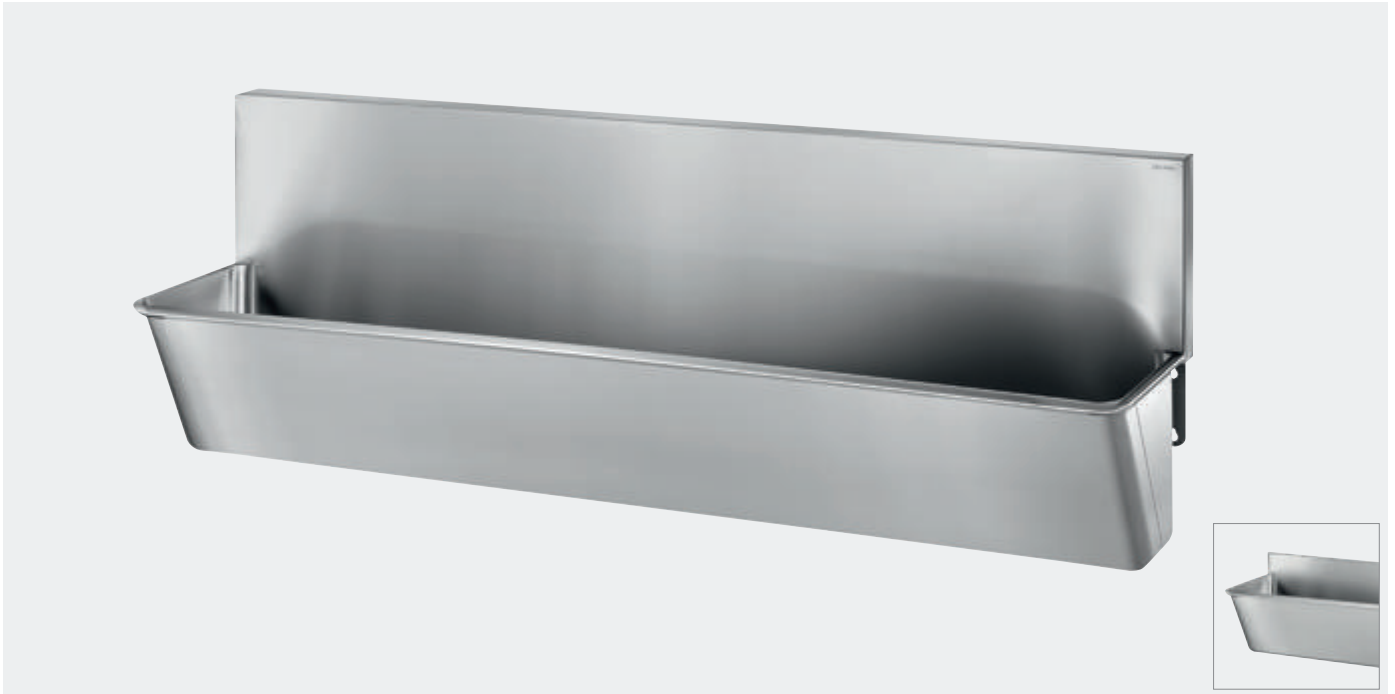
Available on request: other lengths (700mm - 2,400mm)



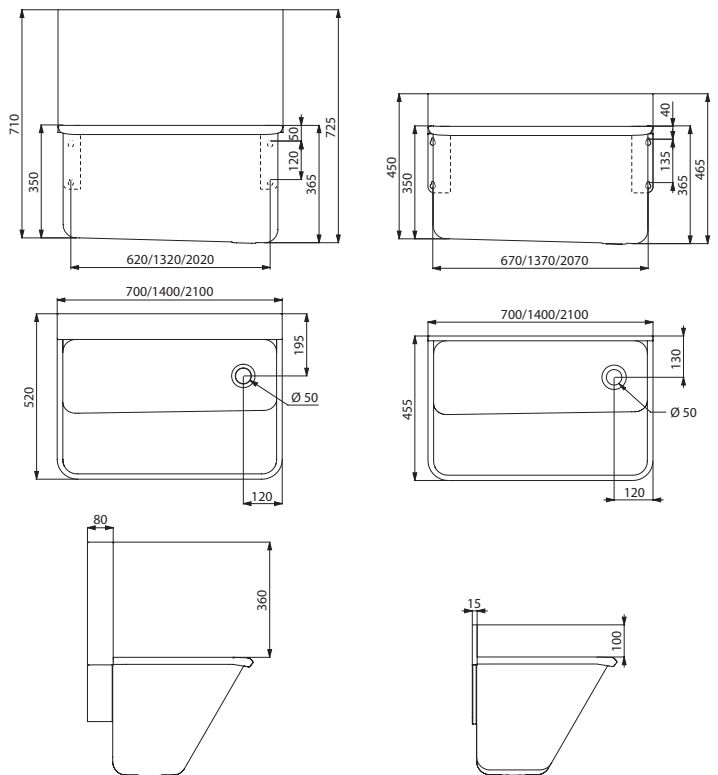
⌚ : dispatch within 4 weeks    📦 : stock item

**Surgical scrub up trough**

High or low upstand



- Wall-mounted surgical scrub up trough with 360mm upstand or 100mm upstand.
- Bacteriostatic 304 stainless steel.  
Stainless steel thickness: 1.2mm.
- Smooth surface and rounded inside edges for easy cleaning.
- Drainage on the right. Without overflow. Supplied with fixing elements.
- Weight: version with high upstand: 13.8kg for the 700mm model; 24.2kg for the 1,400mm model; 34.9 kg for the 2,100mm model.  
Version with low upstand: 10.6kg for the 700mm model; 18.8kg for the 1,400mm model; 27kg for the 2,100mm.



<b>Surgical scrub up trough with high upstand</b>		
<b>Without tap hole</b>		
Polished satin 304 st steel - L. 700mm - 1 service	⌚	<b>181000</b>
Polished satin 304 st steel - L. 1,400mm - 2 services	⌚	<b>182000</b>
Polished satin 304 st steel - L. 2,100mm - 3 services	⌚	<b>183000</b>
<b>With 1 single tap hole Ø 22mm per service</b>		
Polished satin 304 st steel - L. 700mm - 1 service	⌚	<b>181100</b>
Polished satin 304 st steel - L. 1,400mm - 2 services	⌚	<b>182100</b>
Polished satin 304 st steel - L. 2,100mm - 3 services	⌚	<b>183100</b>
<b>With 1 twin tap hole Ø 22mm with 150mm centres per service</b>		
Polished satin 304 st steel - L. 700mm - 1 service	⌚	<b>181200</b>
Polished satin 304 st steel - L. 1,400mm - 2 services	⌚	<b>182200</b>
Polished satin 304 st steel - L. 2,100mm - 3 services	⌚	<b>183200</b>
<b>Surgical scrub up trough with low upstand</b>		
<b>Without tap hole</b>		
Polished satin 304 st steel - L. 700mm - 1 service	⌚	<b>181020</b>
Polished satin 304 st steel - L. 1,400mm - 2 services	⌚	<b>182020</b>
Polished satin 304 st steel - L. 2,100mm - 3 services	⌚	<b>183020</b>

Available on request: other lengths (700mm - 2,400mm)

181000/182000/183000

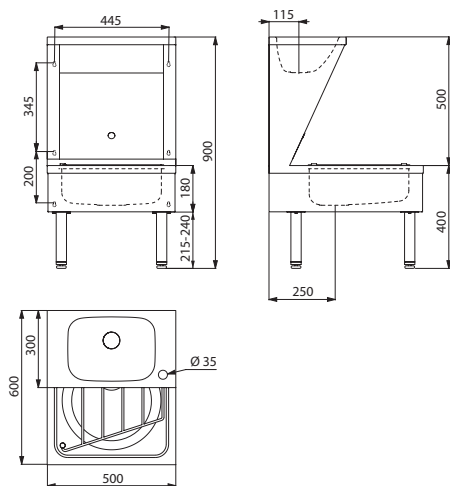
181020/182020/183020

⌚ : dispatch within 4 weeks    📦 : stock item

**Janitorial unit**  
Floor-standing



- Floor-standing janitorial unit.
- Complies with the former HTM64 guidance and new Health Building Note 00-10: Part C - Sanitary Assemblies.
- Bacteriostatic polished satin 304 stainless steel.
- Stainless steel thickness: 1mm.
- Smooth surface for easy cleaning.
- Adjustable feet height up to 25mm. Hinged stainless steel bucket grid.
- Supplied with 1¼" waste for the basin and 1½" waste for the disposal sink.
- Without overflow.
- Weight: 22kg.



180140

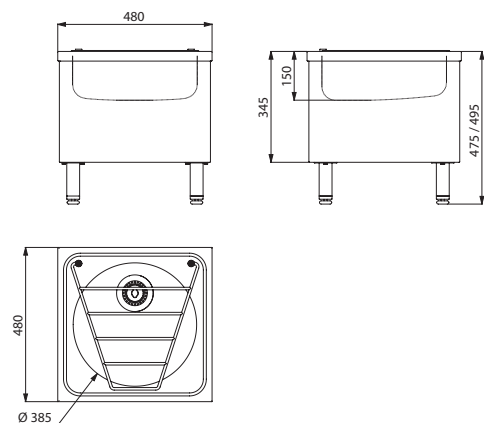
Floor-standing janitorial unit with right tap hole Ø 35mm  **180140**

 : dispatch within 4 weeks  : stock item

**Disposal sink**  
Floor-standing



- Floor-standing disposal sink.
- Bacteriostatic polished satin 304 stainless steel.
- Stainless steel thickness: 1mm.
- One-piece pressed bowl, seam-free.
- Smooth surface for easy cleaning.
- Adjustable feet height up to 40mm.
- Supplied with 1½" waste. Without overflow.
- Hinged stainless steel bucket grid.
- Weight: 10.6kg.



180150

Floor-standing disposal sink  **180150**

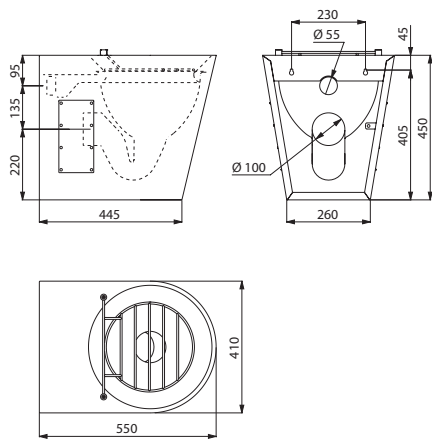


### XL disposal sink

Floor-standing or wall-mounted



- Floor-standing or wall-mounted disposal sink.
- Bacteriostatic polished satin 304 stainless steel.
- Stainless steel thickness: 1.5mm.
- Smooth surface for easy cleaning.
- Concealed perimetral flushing system.
- Horizontal or vertical water inlet: Ø 55mm.
- Wall-mounted model with recessed horizontal waste outlet: Ø 100mm.
- Floor-standing model with horizontal or vertical waste outlet: Ø 100mm. Supplied with PVC pipe.
- Concealed drainage: shrouded sink.
- Quick and easy to install: 2 access panels with theft prevention TORX security screws for floor-standing model, with frontal installation thanks to a stainless steel mounting frame for the wall-mounted model.
- Hinged stainless steel bucket grid.
- Wall-mounted model supplied with fixings.
- Weight: 16kg for floor-standing models, 15kg for wall-mounted models.



182060

#### Disposal sink

##### XL P floor-standing

Horizontal water inlet		182060
Vertical water inlet		182070

##### XL S wall-mounted

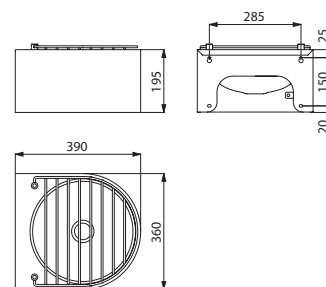
Horizontal water inlet		182160
------------------------	--	--------

### Disposal sink

Wall-mounted



- Wall-mounted disposal sink.
- Bacteriostatic polished satin 304 stainless steel.
- Stainless steel thickness: 1.2mm.
- Smooth surface for easy cleaning.
- Waste outlet 1 1/4". Waste not included.
- Hinged stainless steel bucket grid.
- Without overflow.
- Supplied with fixing elements.
- Weight: 5.1kg.



180170

Wall-mounted disposal sink		180170
----------------------------	--	--------

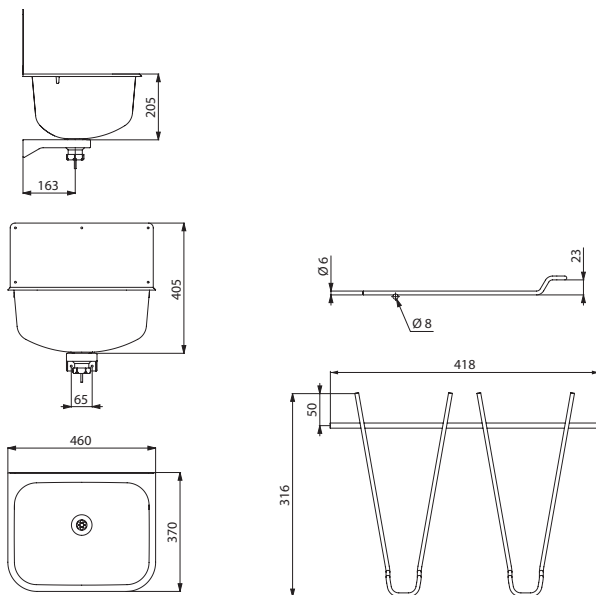
: dispatch within 4 weeks : stock item

**Cleaners' sink**

Wall-mounted



- Wall-mounted cleaners' sink with splashback.
- Bacteriostatic polished satin 304 stainless steel.
- Stainless steel thickness: 0.9mm.
- Seam-free, pressed bowl.
- Deep sink.
- Smooth surface. Rounded edges prevent injury.
- Supplied with 1½" waste. Without overflow.
- Supplied with fixing elements and splashback.
- Option to add a stainless steel hinged, lift-up grid.
- Weight: 4.6kg.



182400

102400

**Wall-mounted cleaners' sink**

Cleaners' sink		<b>182400</b>
Stainless steel hinged grid for model 182400		<b>102400</b>

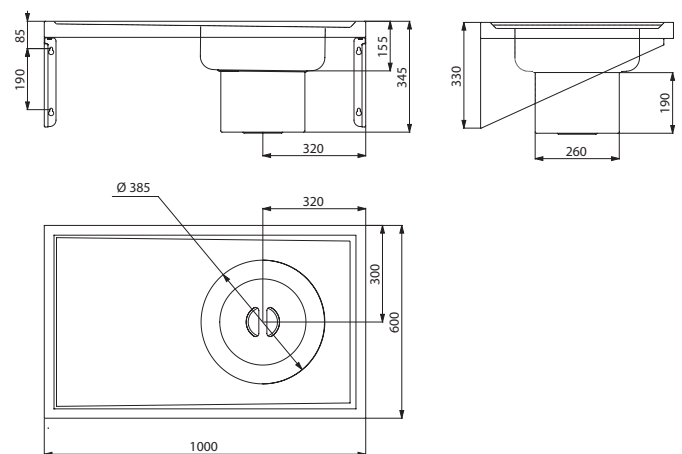
 : dispatch within 4 weeks  : stock item

**Plaster sink**

Wall-mounted



- Wall-mounted plaster sink.
- Bacteriostatic polished satin 304 stainless steel.
- Stainless steel thickness: 1.5mm.
- Smooth surface and flat edges for easy cleaning.
- Supplied with removable plaster basket with lid to filter plaster debris.
- Can be installed in 2 ways: bowl on the right or bowl on the left.
- Waste outlet 1½".
- Supplied with fixing elements.
- Weight: 17kg.



180130

**Wall-mounted plaster sink**

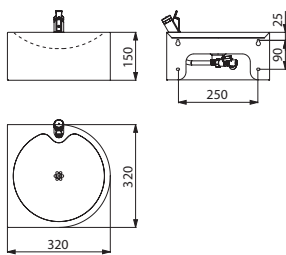
 **180130**

### SD drinking fountain

Wall-mounted



- Wall-mounted drinking fountain.
- Bacteriostatic polished satin 304 stainless steel.
- Stainless steel thickness: 1.2mm.
- Rounded edges prevent injury.
- Supplied with a WRAS approved bubbler tap: chrome-plated, instant shut-off and adjustable flow rate, inlet M $\frac{3}{8}$ ".
- Flat perforated waste, without screws: easy to clean and vandal-resistant.
- Recessed horizontal water outlet. Waste outlet 1 $\frac{1}{4}$ ".
- Supplied with fixing elements.
- Weight: 2.4kg.



180800

Wall-mounted SD drinking fountain with integrated bubbler tap



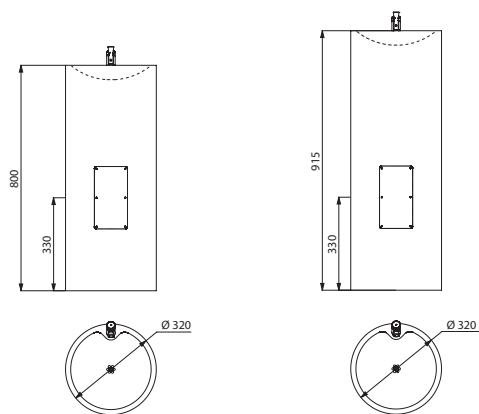
180800

### ILHA and ILHA JR drinking fountains

Floor-standing



- Floor-standing drinking fountain.
- Bacteriostatic polished satin 304 stainless steel.
- Stainless steel thickness: 0.8mm.
- Available in two different heights: 915mm and 800mm for children.
- Supplied with a WRAS approved bubbler tap: chrome-plated, instant shut-off and adjustable flow rate, inlet M $\frac{3}{8}$ ".
- Flat perforated waste, without screws: easy to clean and vandal-resistant.
- Recessed vertical water outlet. Waste outlet 1 $\frac{1}{4}$ ".
- Supplied with fixing elements.
- Weight: 9kg for the 800mm model; 9.6kg for the 915mm model.



180110

180100

#### Floor-standing ILHA and ILHA JR drinking fountain with integrated bubbler tap

Height 915mm



180100

Height 800mm



180110

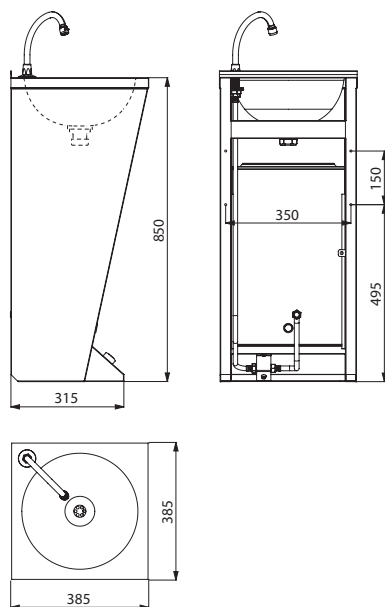
: dispatch within 4 weeks : stock item

**SXL hand washbasin**

Foot-operated



- Floor-standing, foot-operated hand washbasin.
- Can be wall-mounted and/or floor-standing.
- Bacteriostatic polished satin 304 stainless steel.
- Stainless steel thickness: 0.8mm.
- Supplied with swan neck spout and time flow tap with 7-second time flow.
- Easy to maintain: access panel at the front.
- Supplied with 1¼" waste. Without overflow.
- Supplied with fixing elements.
- CE marked. Complies with European standard EN 14688.
- Weight: 10kg.



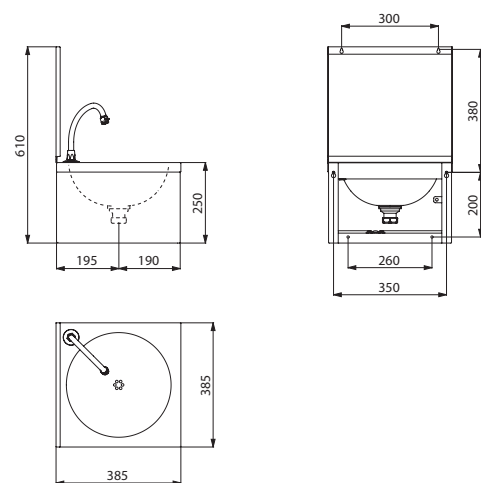
180300

**SXS mechanical hand washbasin**






Knee-operated



- Wall-mounted, knee-operated hand washbasin.
- Bacteriostatic polished satin 304 stainless steel.
- Stainless steel thickness: 0.8mm.
- Rounded edges prevent injury.
- Available with or without splashback.
- Bare model (without tap) or complete model (with tap and pre-mixer).
- Complete model consists of: swan neck spout, soft-touch time flow tap with 7-second time flow and a pre-mixer with non-return valves.
- Flat perforated waste, without screws: easy to clean and vandal-resistant.
- Water savings: flow rate pre-set at 3 lpm.
- Maximum hygiene: no manual contact with tap.
- Without overflow. Supplied with fixing elements.
- CE marked. Complies with European standard EN 14688.
- Weight: 4.3kg.



182320

<b>SXS mechanical hand washbasin without tap</b>		
Hand washbasin alone, without splashback		<b>181310</b>
Hand washbasin alone, with splashback		<b>181320</b>
<b>SXS mechanical hand washbasin with tap and pre-mixer</b>		
Complete hand washbasin without splashback		<b>182310</b>
Complete hand washbasin with splashback		<b>182320</b>
Soap dispenser		<b>374001</b>

**Floor-standing SXL hand washbasin with integrated tap**  **180300**

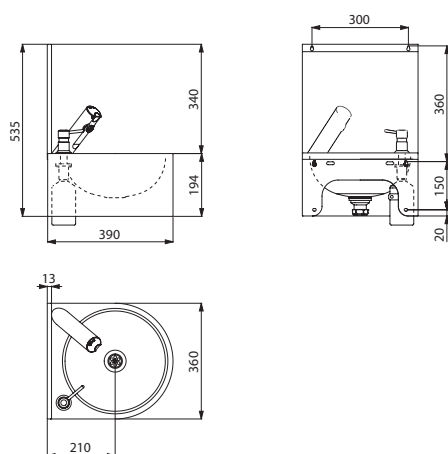
 : dispatch within 4 weeks  : stock item

### SXS electronic hand washbasin

Electronic control



- Wall-mounted hand washbasin with electronic control.
- Bacteriostatic polished satin 304 stainless steel.
- Stainless steel thickness: 1.2mm.
- Rounded edges prevent injury.
- Available with or without splashback.
- 184310 and 184320 references are supplied with an electronic mixer with integrated battery and solenoid valve and a chrome-plated brass soap dispenser.
- 18431015 and 18432015 references are supplied with a WRAS approved electronic tap with integrated battery and solenoid valve, a TMV3 and WRAS approved thermostatic mixing valve and a chrome-plated brass soap dispenser.
- Supplied with 1¼" waste. Without overflow.
- Water savings: flow rate pre-set at 3 lpm.
- Maximum hygiene: no manual contact with tap, reduced-stagnation solenoid valve, duty flush prevents bacterial development.
- Supplied with fixing elements.
- CE marked. Complies with European standard EN 14688.
- Weight: 4.1kg.



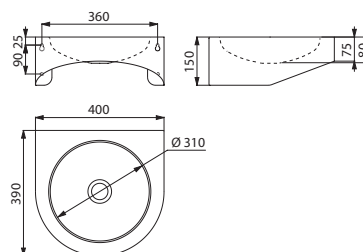
184320

### PMR XS hand washbasin

Wall-mounted



- Wall-mounted hand washbasin.
- Basin internal diameter: 310mm.
- Bacteriostatic polished satin 304 stainless steel.
- Stainless steel thickness: 1.2mm.
- Rounded edges prevent injury.
- Supplied with 1¼" waste.
- Without overflow.
- Supplied with fixing elements.
- CE marked. Complies with European standard EN 14688.
- Weight: 3.9kg.



120400

SXS electronic hand washbasin with tap and soap dispenser		
Complete hand washbasin without splashback		184310
Complete hand washbasin with splashback		184320
SXS electronic hand washbasin with tap and soap dispenser (WRAS)		
Complete hand washbasin without splashback		18431015
Complete hand washbasin with splashback		18432015

Wall-mounted PMR XS hand washbasin Without tap hole		120400
--	--	--------

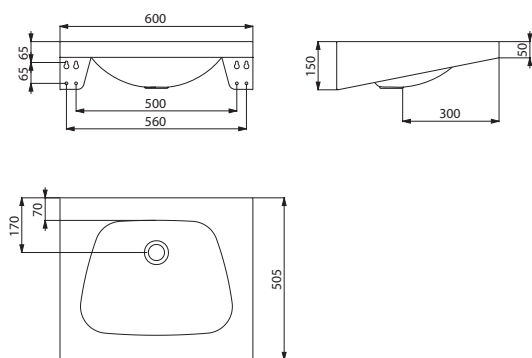
: dispatch within 4 weeks : stock item

**TRAPEZ washbasin**

Wall-mounted



- Wall-mounted washbasin, 600 × 505mm.
- Shallow washbasin suitable for people with reduced mobility.
- Bacteriostatic polished satin 304 stainless steel.
- Stainless steel thickness: 1.2mm.
- Rounded edges prevent injury.
- Supplied with 1¼" waste.
- Without overflow.
- Supplied with fixing elements.
- CE marked. Complies with European standard EN 14688.
- Weight: 5.5kg.



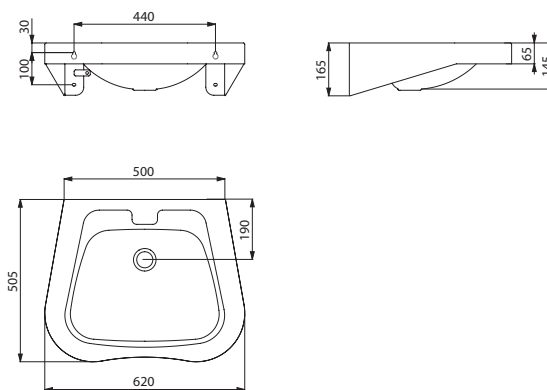
120270

**FRAJU PMR washbasin**

Wall-mounted



- Wall-mounted washbasin, 620 × 505mm.
- Shallow washbasin suitable for people with reduced mobility.
- Bacteriostatic polished satin 304 stainless steel.
- Stainless steel thickness: 1.2mm for the bowl and 1.5mm for surround.
- Rounded edges prevent injury.
- Supplied with 1¼" waste.
- Without overflow.
- Supplied with fixing elements.
- CE marked. Complies with European standard EN 14688.
- Weight: 5kg.



120440

Wall-mounted TRAPEZ washbasin	
Without tap hole	<b>120270</b>
With central tap hole Ø 35mm	<b>121270</b>

: dispatch within 4 weeks : stock item

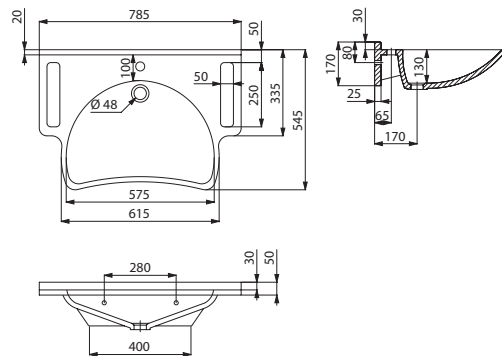
Wall-mounted FRAJU PMR washbasin	
Without tap hole	<b>120440</b>
With central tap hole Ø 35mm	<b>121440</b>

**MINERALCAST PMR washbasin**

Wall-mounted



- Wall-mounted washbasin, 785 × 545 × 150mm.
- With integral side grips which can be used as a support or a towel holder.
- MINERALCAST: composite material consisting of natural minerals and polyester resin.
- Shallow washbasin suitable for people with reduced mobility.
- Uniform, non-porous surface is easy to clean.
- One-piece cast washbasin, seam-free, for easy maintenance and better hygiene.
- Warm to the touch.
- Without overflow.
- Supplied with fixing elements.
- White, RAL 9016.
- Weight: 21.5kg.



132306

Wall-mounted MINERALCAST PMR washbasin  
with central tap hole Ø 35mm



132306

: dispatch within 4 weeks : stock item

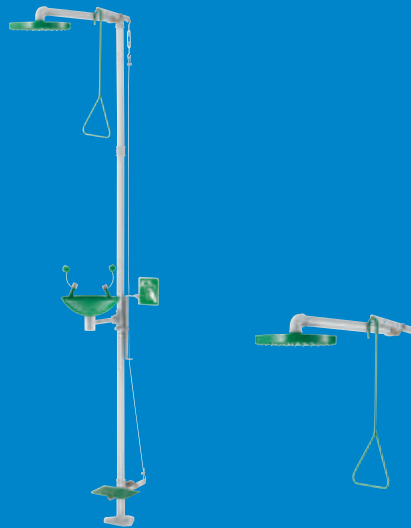
Sanitary ware **197**





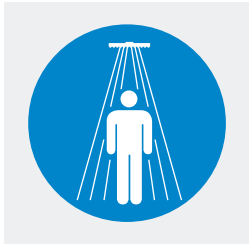
# Safety controls

SAFETY  
SHOWERS  
**202**



EYE WASH  
STATIONS  
**204**





Even, conical flow

## SAFETY CONTROLS: SPECIFICALLY DESIGNED FOR RAPID DECONTAMINATION

In order to address the risk of contamination to the body, face and/or eyes posed by harmful chemicals, DELABIE has developed a range of safety controls. DELABIE's safety showers and eye wash stations provide users with an **efficient decontamination** facility at the site of the incident, especially during the initial treatment phase.



Optimised rinsing for eyes

### Safety

The shower head with spray diffuser ensures an optimised spray for the whole body. The diameter and orientation of the diffuser ensures an **even, conical flow**.

The spray heads are fitted with aerators and stainless steel double filters to prevent any large debris in the water pipes coming into contact with the eyes. Protective caps prevent dust and other airborne contaminants entering the valve. The controls are easy to access.



Frost-free system comes as standard

### Reliable

DELABIE's safety controls are fitted with **frost-free mechanisms as standard** (see below). They are made from corrosion-resistant materials.

### Frost-free system as standard

Most safety equipment is installed outside or in buildings that are not heated. DELABIE's safety controls are fitted with frost-free systems as standard and can be installed inside or outside buildings.

The frost-free system ensures that the riser column and shower head will deliver a proper spray with every use (see below).

The upstream supply pipework must also be protected from freezing temperatures.

### Efficient

DELABIE's safety controls deliver large flow rates which ensure rapid decontamination:

- Eye wash stations: flow rate 20 lpm at 3 bar.
- Showers: flow rate 70 lpm at 1 bar dynamic pressure (120 lpm at 3 bar dynamic pressure).

The diameter and position of the 74 holes in the shower head are designed for optimised rinsing.

### User comfort

The protective caps eject automatically with the pressure when the equipment is activated. The spray heads are fitted with aerators which ensure a **gentle spray** to avoid further injury to the user.

### Quick to install

DELABIE's safety controls are quick and easy to install. A mixed, potable water supply should be considered (DELABIE recommends installing a thermostatic mixing valve depending on the nature and flow rate of the equipment, see page 155).

So that the location of the safety controls can be easily identified, green identification signs are supplied with each item.

### Easy to operate

DELABIE's safety controls are designed to be **quick and easy to operate**.

Water flows when the triangular handle is pulled, the foot pedal is pressed or the hand control is pulled towards the user.

### Compliance

DELABIE's safety controls comply with the following European standards:

- Safety showers: European standard EN15154-1.
- Eye wash stations: European standard EN15154-2.
- Identification signs: International standard ISO 3864-1 covering graphic symbols, safety colours and safety signs in the work place and public places. This standard is included in the European directive 92/58/CEE.

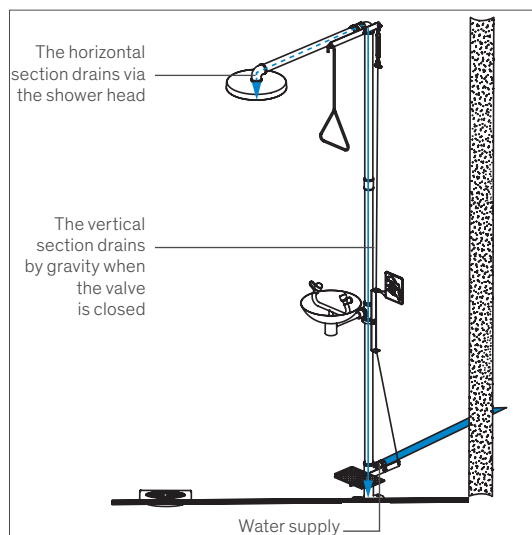
## AND ALSO...

### Simple to maintain

Standard parts **can be replaced without dismantling the equipment**. Maintenance staff can change the parts quickly and easily.

The equipment must be checked every 15 days to ensure that it is in good working order.

**10-year warranty** against any manufacturing defect.



**CIRCULAR SHOWER HEAD**  
Even, conical flow



**IDENTIFICATION SIGN FOR SAFETY SHOWERS**

**ERGONOMIC HANDLE**  
activates shower  
and eye wash simultaneously



**GALVANISED STEEL RISER COLUMN**  
Reliable

**IDENTIFICATION SIGN FOR EYE WASH STATIONS**



**EYE WASH STATION WITH GENTLE SPRAY**  
User comfort



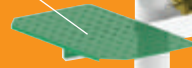
**STAINLESS STEEL BASIN**  
Reliable



**HAND CONTROL**  
activates eye wash

**DRAINAGE**  
F1¼"

**FOOT CONTROL**  
activates eye wash



**WATER INLET F1"**

**BRASS FIXING PLATE**  
Reliable



- **Effective:** large flow rates for rapid decontamination
- **Safety:** eye wash spray heads fitted with protective caps, stainless steel filters stop debris coming into contact with eyes
- **Frost-free protection:** frost-free system as standard, riser column and shower head drain
- **Comfort:** quick and easy to activate, gentle spray for users

## Eye wash and shower combination

Free-standing



- **Frost-free system as standard.**
- 304 stainless steel basin Ø 250mm with green finish.
- Eye wash spray heads fitted with protective caps in shock-resistant, green ABS. Caps eject automatically when eye wash is activated.
- **Flow rate 20 lpm** at 3 bar, aerators with stainless steel double filters.
- Circular shower head Ø 250mm in green, shock-resistant ABS.
- **Flow rate 70 lpm** at 1 bar dynamic pressure (120 lpm at 3 bar dynamic pressure).
- Water supply F1".
- Pipes made from galvanised steel, grey powder-coated finish. Triangular pull handle in green powder-coated brass. Hand and foot controls in green powder-coated galvanised steel.
- Fixed to the floor by a brass plate (screws not included).
- Supplied with identification signs for first aid equipment: "Safety Shower" and "Safety Eye Wash".

### Operation:

¼-turn, nickel-plated brass valves open and close quickly.

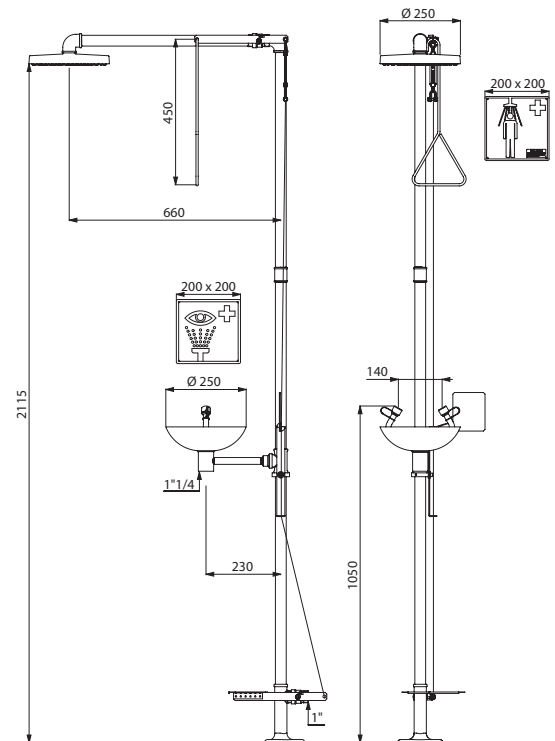
### Simultaneous eye wash and shower:

- Water flows simply by pulling on the triangular handle. The flow will continue even when the handle is released.
- The flow will stop when the handle is returned to its original position.

### Eye wash only:

- Water flow is operated by the foot pedal or the hand control. The eye wash will continue to flow when the pedal or hand control is released.
- The water flow will stop when the hand control is pulled towards the user or the foot pedal is raised.

The water does not shut off automatically, allowing the injured person to have both hands free (to remove their clothing, keep their eyes open, etc.).



9203

<b>Eye wash and shower combination</b>	<b>9203</b>
We recommend installing a TMV (see page 155)	



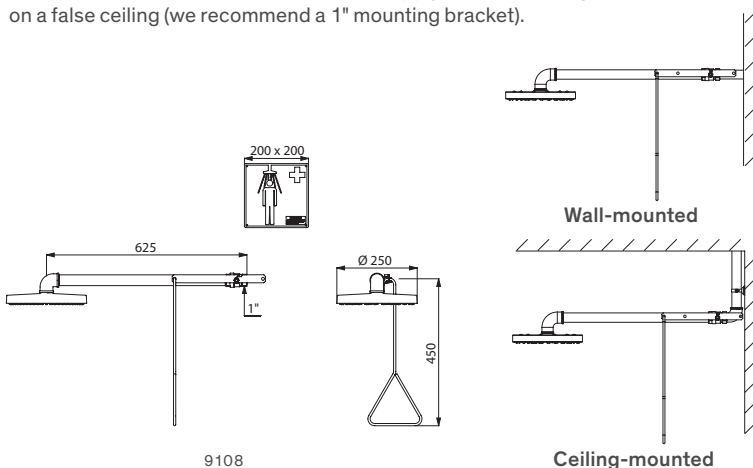
- **Effective:** large flow rate for rapid decontamination
- **Frost-free protection:** frost-free system as standard, shower head drains
- **Comfort:** quick and easy to activate, gentle spray for users

### Wall-mounted recessed safety shower

Horizontal model with manual control



- **Frost-free system as standard.**
- Circular shower head Ø 250mm in green, shock-resistant ABS.
- ¼-turn, nickel-plated brass valve opens and closes quickly.
- Water flows simply by pulling on the triangular handle.
- The flow will continue even when the handle is released.
- The flow will stop when the handle is returned to its original position.
- **Flow rate 70 lpm** at 1 bar dynamic pressure (120 lpm at 3 bar dynamic pressure).
- Water supply F1".
- Pipes made from galvanised steel, grey powder-coated finish.
- Triangular pull handle in green powder-coated brass.
- Supplied with identification sign for first aid equipment: "Safety Shower".
- For cross wall installation, with recessed supply, or for mounting on a false ceiling (we recommend a 1" mounting bracket).

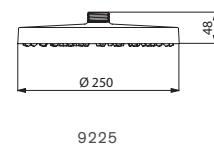


### Additional fitting



#### Shower head

- Circular shower head Ø 250mm M1".
- Green, shock-resistant ABS.
- **Flow rate 70 lpm** at 1 bar dynamic pressure (120 lpm at 3 bar dynamic pressure).
- Water supply F1".



Shower head	9225
-------------	------

Wall-mounted safety shower	9108
----------------------------	------

We recommend installing a TMV (see page 155)



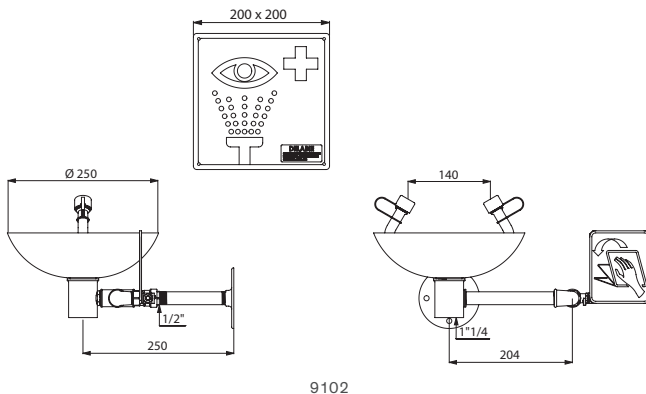
- **Effective:** large flow rate for rapid decontamination
- **Safety:** eye wash spray heads fitted with protective caps, stainless steel filters stop debris coming into contact with eyes
- **Frost-free protection:** frost-free system as standard, free-standing model drains automatically
- **Comfort:** quick and easy to activate, gentle spray for users

### Wall-mounted eye wash station

Manual control



- Green powder-coated 304 stainless steel basin Ø 250mm.
- Eye wash spray heads fitted with protective caps in green ABS; will eject automatically when activated.
- ¼-turn, nickel-plated brass valve opens and closes quickly.
- Water flow is activated by the hand control. The eye wash will continue to operate when the hand control is released.
- The water flow will stop when the hand control is pulled towards the user.
- **Flow rate 20 lpm** at 3 bar, aerators with stainless steel double filters.
- Water supply M½".
- Pipes made from galvanised steel, powder-coated grey finish.
- Hand control in green powder-coated galvanised steel.
- Wall-mounted on a brass plate (screws not included).
- Supplied with identification sign for first aid equipment: "Safety Eye Wash".



9102

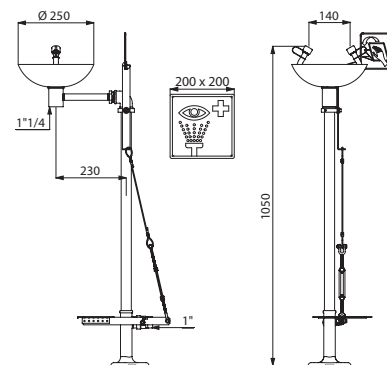
<b>Wall-mounted eye wash station</b>	<b>9102</b>
We recommend installing a TMV (see page 155)	

### Free-standing eye wash station

Manual and pedal control



- **Frost-free system as standard.**
- Green powder-coated 304 stainless steel basin Ø 250mm.
- Eye wash spray heads fitted with protective caps in green ABS; will eject automatically when activated.
- ¼-turn, nickel-plated brass valves open and close quickly.
- Water flow is activated by hand or foot control. The eye wash will continue to operate when the hand or foot control is released.
- The water flow will stop when the hand control is pulled towards the user or the foot pedal is raised.
- **Flow rate 20 lpm** at 3 bar, aerators with stainless steel double filters.
- Water supply F1".
- Pipes made from galvanised steel, powder-coated grey finish.
- Hand and foot controls in green powder-coated galvanised steel.
- Fixed to the floor by a brass plate (screws not included).
- Supplied with identification sign for first aid equipment: "Safety Eye Wash".



9201

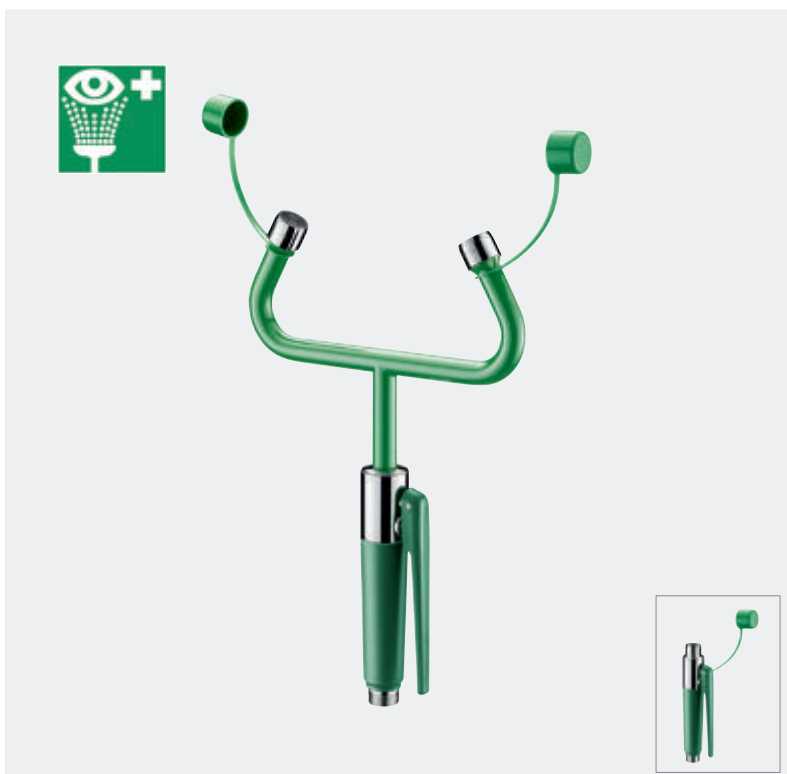
<b>Free-standing eye wash station</b>	<b>9201</b>
We recommend installing a TMV (see page 155)	



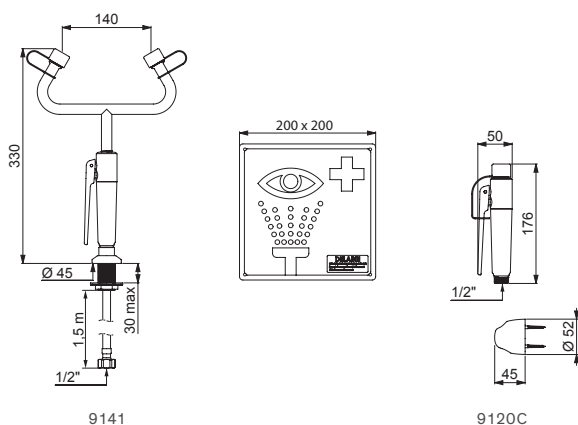
- **Effective:** large flow rate for rapid decontamination
- **Safety:** eye wash spray heads fitted with protective caps, stainless steel filters stop debris coming into contact with eyes
- **Comfort:** ergonomic grip in green polypropylene

## Trigger-operated eye wash - dual / single spray

Trigger-operated



- Eye wash spray heads fitted with protective caps in green ABS; will eject automatically when activated.
- Press the trigger to operate eye wash spray.
- A spring automatically shuts off spray.
- Aerator with stainless steel double filters.
- Ergonomic grip and trigger in green polypropylene.
- Supplied with identification sign for first aid equipment: "Safety Eye Wash".



## Additional fittings



### Aerator F22/100

- Aerator F22/100 with grid for comfortable spray.
- For hand sprays ref. 9120C, 9140C, 9121 and 9141 or for eye wash stations ref. 9102, 9201 and 9203.



A22D75

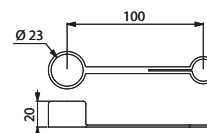
### Aerator F22/100

For hand sprays	<b>A22D75</b>
For eye wash stations	<b>A22LY75</b>



### Protective caps for aerators

- Protective caps in green, shock-resistant ABS to protect the spray heads.
- Eject automatically when eye wash is activated.
- Supplied in packs of 2.



91AA75

<b>Trigger-operated eye wash - dual spray - (9 lpm flow rate)</b>	
Wall-mounted with support	<b>9121</b>
Deck-mounted, flexible L. 1.50m 15 x 100 1/2"	<b>9141</b>
<b>Trigger-operated eye wash - single spray - (6 lpm flow rate)</b>	
Wall-mounted with support	<b>9120C</b>
Deck-mounted, flexible L. 1.50m 15 x 100 1/2"	<b>9140C</b>

We recommend installing a TMV (see page 155)

<b>Protective caps</b>	<b>91AA75</b>
------------------------	---------------





# Spare parts Certification Reference index

SPARE  
PARTS  
**208**

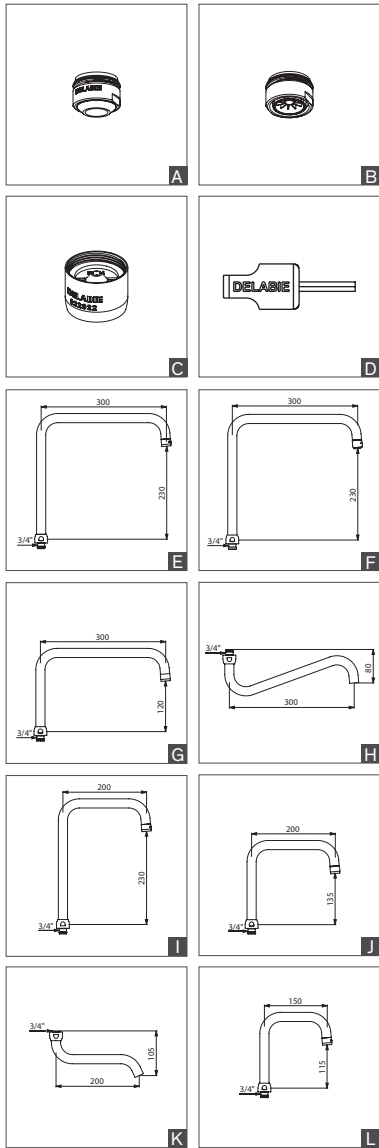
---

CERTIFICATION  
**212**

---

REFERENCE  
INDEX  
**216**

---



## BIOSAFE OUTLETS, FLOW STRAIGHTENERS

BIOSAFE outlets free flow with no grids or partitions in contact with water (with brass collar)		
F22/100 (1 piece) for basin taps/mixers 5 lpm	923022	-
F22/100 (50 pieces) for basin taps/mixers 5 lpm	923022.50P	-
M24/100 (1 piece) for basin taps/mixers 5 lpm	923024	A
M24/100 (50 pieces) for basin taps/mixers 5 lpm	923024.50P	A
M24/100 (1 piece) for 2640 basin taps/mixers, 5 lpm	922640	-

Hygienic flow straighteners star-shaped with no grid, reduces bacterial development (with brass collar)		
F22/100 (2 pieces)	921022.2P	-
F22/100 (50 pieces)	921022.50P	-
M24/100 (2 pieces)	921024.2P	B
M24/100 (50 pieces)	921024.50P	B

Flow straighteners at 3 lpm flow rate can be adjusted using 2.5mm Allen key (with brass collar)		
F22/100 (2 pieces)	922022.2P	C
M24/100 (2 pieces)	922024.2P	-
Key for adjustments (2.5mm Allen key)	C282025	D

Removal tool		
For flow straighteners	222428	-

## SPOUTS

Spouts L. 300mm		
<b>Over spout Ø 22mm, H. 230mm</b>		
with nut 3/4", flow straightener inserted	963300245F	E
<b>Over spout Ø 22mm, H. 230mm</b>		
with nut 3/4" and BIOSAFE outlet	963300923F	F
<b>Over spout Ø 22mm, H. 120mm</b>		
with nut 3/4", flow straightener inserted	963300145F	G
<b>Under spout Ø 22mm, H. 80mm</b>		
with nut 3/4" and flow straightener, not threaded	943300110	H

Spouts L. 200mm		
<b>Over spout Ø 22mm, H. 230mm</b>		
with nut 3/4", flow straightener set at 3 lpm (can be adjusted by 2.5mm Allen key)	963200245F	I
<b>Over spout Ø 22mm, H. 135mm</b>		
with nut 3/4", flow straightener inserted	963200145F	J
<b>Over spout Ø 22mm, H. 120mm</b>		
with nut 3/4" and BIOSAFE outlet	963200923F	-
<b>Under spout Ø 22mm, H. 105mm</b>		
with nut 3/4" and flow straightener, not threaded, for mixer 2519	943200100M	K
<b>Under spout H. 46mm</b>		
with nut 3/4" and flow straightener inserted for 2436 and 2445 mixers	943200	-

Spouts L. 150mm		
<b>Over spout Ø 22mm, H. 115mm</b>		
with nut 3/4", flow straightener set at 3 lpm (can be adjusted by 2.5mm Allen key)	963150125F	L
<b>Over spout Ø 22mm, H. 100mm</b>		
with nut 3/4" and BIOSAFE outlet	963150923F	-
<b>Under spout H. 46mm</b>		
with nut 3/4" and flow straightener inserted for 2446 and 2447 mixers	943150	-

## TAMPERPROOF SCREWS

Tamperproof screws		
TORX M5 × 25 + rawl plugs	999049	-

## SOLENOID VALVES

For basins, showers and WCs		
12V MM½" for basins	495626	M
12V MM¾" for basins	495612	M
12V MM1" for WCs except 463326	461035	-
12V MM1" for WCs 463326	461034	-
6V for TEMPOMATIC 3 basins	479749	N
6V for TEMPOMATIC 4	479748	N
6V for TEMPOMATIC 4 basins (with adjustable flow rate)	479650	-
6V MM½" for TEMPOMATIC 1 & 2, BINOPTIC	495646	O
6V MM¾" for TEMPOMATIC 1 & 2, BINOPTIC	495606	-
6V MM½" for SECURITHERM shower panels	495615	-
Electronic unit for TEMPOMATIC WC dual control	461032	P

## ELECTRONIC CONTROL UNITS

For basins, showers and WCs		
230/12V standard with "duty flush" option, with transformer for basins	495444BC	Q
230/12V multifunction with transformer for basins, showers, flush type 461...	495445BC	Q
6V battery-operated for basins	495446BC	Q
6V with integrated batteries for TEMPOMATIC 3 basins	492446	R
6V with integrated batteries for TEMPOMATIC 4 basins	490446	S
6V for TEMPOMATIC 4 basins, mains supply	490450	S
230/12V multifunction with transformer for dual flush type 463...	463000	T

NB: for mixers with high spout and lever (refs. 20464, 20164, 20465, 20165, etc.).  
The sensor should be replaced at the same time as the control unit.

## SUPPLY CABLES

For TEMPOMATIC 4 basins with mains supply		
6V recessed supply	490240	U
6V European plug supply	490241	-
6V British plug supply	490241UK	V
Extension	490230EXT	-

## SENSORS

For basins, showers and WCs		
With cable 0.70m	495070	W
With cable 1.50m	495149	W
With cable 5.00m	495499	W
For basins: BINOPTIC and TEMPOMATIC 2, cable 0.70m	CEL378V	-
For basins: BINOPTIC and TEMPOMATIC 2, cable 1.50m	CEL378150V	-
For basins: BINOPTIC and TEMPOMATIC 2, cable 5.00m	CEL378499V	-
For TEMPOMATIC WC automatic/voluntary, with cable	463399	W

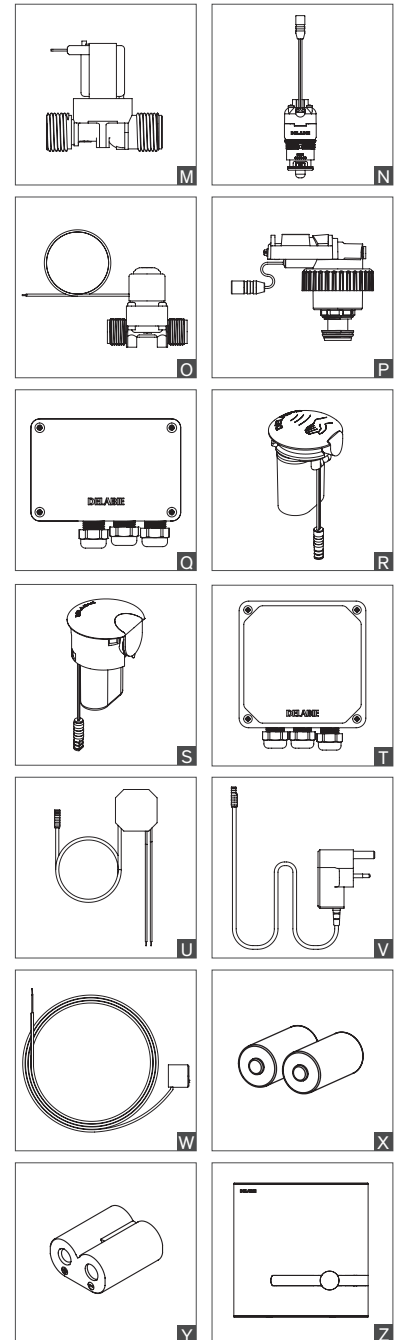
NB: cable cannot be extended or cut.

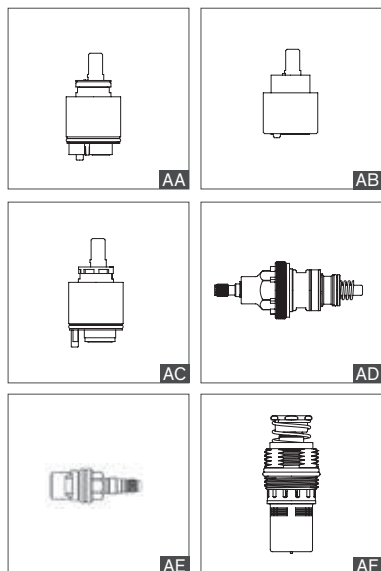
## BATTERIES

For basins, showers and WCs		
2 × 3V Lithium batteries 123/CR 17345	990123	X
1 × 6V Lithium battery 223/CR - P2	990223	Y

## WALL PLATES WITH INTEGRATED ELECTRONICS

For TEMPOMATIC WC dual control		
6V with integrated batteries - satin finish stainless steel	464PISP	Z
230/12V - satin finish stainless steel	464PISS	Z





## BASINS - SINKS AND SHOWERS

### Mixers with ceramic cartridges

	Maintenance kit	Complete cartridge	Type
<b>Ø 40mm cartridges</b>			
<b>Standard cartridges</b>			
<b>With base, with flow rate limiter</b>			
2206, 2211, 2211L (before 12/2017), 2220, 2221, 2406, 2420, 2421, 2445, 2446, 2447LUK, 2520, 2521, 2565, 20121, 20421, 2720, 2721, 2820, 2821 2539, 2739 (up to 10/2016)	-	N009AG75	AA
<b>With base, without flow rate limiter</b>			
2239, 2252S, 2439, 2538, 2539, 2739	-	N109AG75	-
<b>Without base, with flow rate limiter</b>			
20164T1, 20164T4, 20464T1, 20464T4, 20870T1, 20870T3, 20871T1, 20871T3	-	N201AG75	-
<b>Without base, without flow rate limiter</b>			
2510, 2519, 2542, 2543, 2597, 2211, 2211L and 2599 (up to 12/2017)	-	N148AA75	-
<b>Without base, with flow rate limiter</b>			
2210, 2246, 2410, 2443, 2522, 2561C, 2562C, 2564, 2569, 2595, 2870, 20870 and 20164/20464 (up to 02/2012)	-	N248AA75	AB
<b>Ø 35mm cartridges</b>			
<b>Standard cartridge with base</b>			
2506T1, 25061T1, 2506T2, 2506T3, 2599	-	NS262	-
2620, 2621, 2620MINI, 2621MINI, 26206, 26216, 26206MINI, 26216MINI	-	NSB262	-
<b>Standard sequential cartridge with base</b>			
2436, 2436P, 2436S, 2437, 2437S	-	N243I	-
2640, 2640S, 2641, 2641S	-	N243	-

### Mixers with pressure-balancing ceramic cartridges

<b>Ø 40mm cartridges with base</b>			
2211EP, 2211LEP, 2239EP, 2439EP, 2445EP, 2445LEPUK, 2445LEP, 2446EP, 2446LEP, 2447LEPUK, 2520EP, 2521EP, 2539EP, 2565TxEP, 2720TEP, 2721TEP, 2739EP, 2739TEP, 2820TEP, 2821TEP	-	N252	AC
<b>Ø 35mm cartridges with base</b>			
2542EP, 2599EP, 2620EP, 2621EP, 2620MINIEP, 2621MINIEP, 26206EP, 26216EP, 26206MINIEP, 26216MINIEP	-	N262	-

### Mixers with thermostatic cartridges

<b>Thermostatic sequential cartridges</b>			
H9610, H9610S, H9611P, H9614P, H9615	-	N96	-
H9600, H9605, H9612, H9613, H9642	-	N96L	-
H9630, H963015, H9630S, H9632, H9634, H9635, H963615, H963915, H9640, H964015, H9640S, H9641, H964115	-	N9630	-
<b>Thermostatic cartridges</b>			
H9739 and H9739S	-	N97L	-
H9741, H9741S, H9741TP, H9752P and H9752S	-	N97LR	AD
H9716 and H9726	-	N9726	-
H9769 and H9769S	-	N9769	-
<b>½" Ceramic head, ¼-turn</b>			
for refs. since 02/2010	-	P9775	AE

### Mixers with valve head or ceramic head

<b>Guided valve head Ø 22.5mm + cover</b>			
for range 5800 except 5807 and 5808	-	P120AA75	AF

### Non-manual controls

TEMPOGENOU 734100, 735100, 735000, 735400, 735447	753005	743305	AF
MONOFOOT 736001, 736101, 736102	753736	-	-
MIXFOOT 739000, 739100, 739102	753739	-	-

## WC

### Cartridges

	Maintenance kit	Complete cartridge	Type
<b>For TEMPOFLUX 2</b>			
762901, 762902, 576211, 578300, 578305	-	<b>743622</b>	<b>AG</b>
762150	-	<b>743623</b>	-
576277, 578400, 578405	-	<b>743677</b>	-
<b>For TEMPOFLUX 3</b>			
763000, 763040	-	<b>743765</b>	<b>AH</b>

### Wall plates

<b>For recessed TEMPOFLUX 3</b>			
Satin finish stainless steel wall plates		<b>763PIM</b>	-
Chrome-plated metal wall plates		<b>763PMM</b>	-

## BED PAN CLEANERS

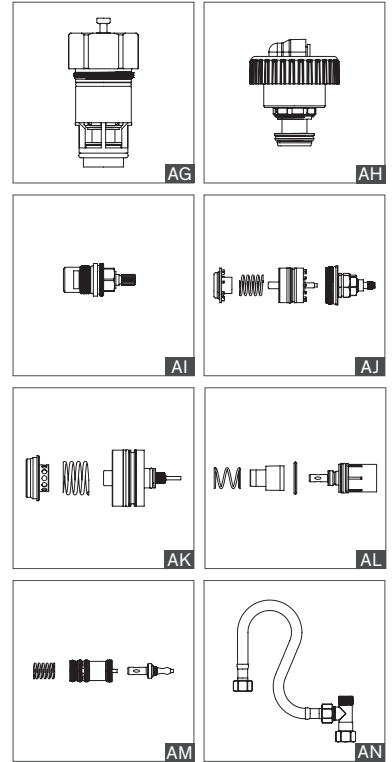
<b>½" Ceramic head, ¼-turn right</b>			
158100, 2591, 2592, 2594	-	<b>P482AJ75</b>	<b>AI</b>

## GROUP THERMOSTATIC MIXING VALVES

	Maintenance kit	Type
<b>For PREMIX SECURITY after 06/2008</b>		
731052, 731053	<b>753750</b>	<b>AJ</b>
731054, 731055	<b>753755</b>	<b>AK</b>
<b>For PREMIX COMFORT after 06/2008</b>		
731002, 731200, 731003, 731300	<b>753730</b>	<b>AJ</b>
731004, 731400, 731005, 731500	<b>753735</b>	<b>AK</b>
<b>For PREMIX COMPACT</b>		
733015, 733016, 733020, 733021	<b>753733</b>	<b>AL</b>
<b>For PREMIX NANO</b>		
732012, 732016, 732115, 732116, 732216	<b>743732</b>	<b>AM</b>
Connector kit 3/8" for 732216	<b>732515</b>	<b>AN</b>
<b>For ECONOMIX</b>		
2 × 15mm Combi angled inlet assembly	<b>BA9915</b>	-

## SOAP DISPENSERS

<b>SOAP DISPENSERS</b>			
729008, 729108, 729508	<b>729302</b>	<b>729308</b>	-
729012, 729112, 729512	<b>729302</b>	<b>729312</b>	-
729150, 729200	<b>729302</b>	<b>729303</b>	-



**WATER REGULATIONS  
ADVISORY SERVICE**



All sanitary fittings that deliver water from a public mains water supply must comply with the Water Supply (Water Fittings) Regulations (1999) or Scottish Byelaws.

These fittings must be of an 'appropriate quality and standard' and must not contaminate the water or cause wastage.

Products that are WRAS approved demonstrate this compliance and are recognised by all water suppliers in the UK.

**TMV3 SCHEME**



The TMV scheme is an independent third party approval scheme administered by BuildCert. The scheme certifies that Type 3 thermostatic mixing valves conform to performance requirements of the NHS specification D08 in Healthcare and Commercial applications in the UK.



BuildCert also certifies Type 2 thermostatic mixing valves destined for use in domestic applications to ensure the safe use of hot water in domestic premises.

Reference	Product	WRAS Certificate	Expiry Date	BuildCert Certificate	Expiry Date	Page
20002	2 × BIOCLIP stainless steel spouts L129mm Ø28	WRAS1811017	30/11/23			47/80
20040.10P	10 × BIOFIL sterile spouts with integrated filter L138mm Ø22	WRAS1611077	30/11/21			25
20050A.10P	10 × BIOFIL sterile cartridge filter A, rain effect spray	WRAS1611078	30/11/21			26
20050P.10P	10 × BIOFIL sterile cartridge filter P, rain effect spray	WRAS1611078	30/11/21			26
20060.10P	10 × BIOFIL sterile shower head with integrated filter	WRAS1611079	30/11/21			27
20061.10P	10 × BIOFIL sterile threaded shower head with integrated filter	WRAS1611079	24/11/21			27
2436	Wall mtd sequential mech mixer, swivel spout L.200, SC unions	WRAS1909068	30/09/24			85
2436P	Wall mtd sequ. mech mixer, swivel spout L.200 inline SC unions	WRAS1909068	30/09/24			85
2443	Recessed mechanical shower mixer behind wall plate Ø116	WRAS1511020	30/11/20			144
2445	Wall mtd mech Secur sink mix swiv spout L200, sculpt lever,SC	WRAS1909042	30/09/24			86
2445EP	Wall mtd EP Secur sink mix swiv spout L200, sculpt lever SC	WRAS1909042	30/09/24			69
2445EPS	Wall mtd EP Secur sink mix swiv spout L200, sculpt lever, std	WRAS1909042	30/09/24			69
2445L	Wall mtd mech Secur sink mixer swiv spout L200mm Hyg lever,SC	WRAS1909042	30/09/24			86
2445LEP	Wall mtd EP Securitouch mixer swivel spout L200 Hyg lever,SC	WRAS1909042	30/09/24			69
2445LEPUK	EP sink mixer c-c 150, fixed spout L200, Hyg L., inline S/C	Ongoing	-			69
2445LEPS	Wall mtd sink EP Secur mixer swiv spout L200mm, Hyg lever,std	WRAS1909042	30/09/24			69
2445LS	Wall mtd mech Secur sink mixer swiv spout L200,Hyg lever, std	WRAS1909042	30/09/24			86
2445S	Wall mtd mech Secur mixer swiv spout L200, sculpt lever, std	WRAS1909042	30/09/24			86
2446	Wall mtd mech Secur sink mix swiv spout L150, sculpt lever,SC	WRAS1512007	17/12/20			86
2446L	Wall mtd mech Secur sink mixer swiv spout L150mm Hyg lever,SC	WRAS1512007	17/12/20			86
2446LEP	Wall mtd EP Securitouch mixer swivel spout L150 Hyg lever,SC	WRAS1801001	31/01/23			69
2446LEPUK	EP sink mixer c-c 150, fixed spout L150, Hyg L., inline S/C	Ongoing	-			69
2447LEPUK	EP sink mixer c-c 200, fixed spout L150, Hyg L., inline S/C	Ongoing	-			69
2447LUK	Mech sink mixer 200 c-c fixed spout L150, hyg L., in-L S/C	Ongoing	-			86
2543	Recessed waterproof shower mixer, kit 2/2 (+790BOX)	WRAS1511020	30/11/20			144
2621	BIOSAFE mechanical basin mixer H95 no waste, solid lever	WRAS1709056	08/09/22			75
26216	BIOSAFE mech basin mixer H95mm no waste, solid lever, copper	WRAS1709056	08/09/22			75
26216EP	BIOSAFE EP basin mixer H95mm no waste, solid lever, copper	WRAS1709055	08/09/22			65
2621MINIEP	BIOSAFE EP basin mixer H55mm no waste, solid lever	WRAS1709055	08/09/22			65
2621MINI	BIOSAFE mech basin mixer H55mm no waste, solid lever, copper	WRAS1709056	08/09/22			75
2621MINIEP	BIOSAFE EP basin mixer H55mm no waste, solid lever, copper	WRAS1709055	08/09/22			65
2621EP	BIOSAFE EP basin mixer H95 no waste, solid lever	WRAS1709055	08/09/22			65
2621MINI	BIOSAFE mech basin mixer H55mm no waste, solid lever	WRAS1709056	08/09/22			75
2720L	Mechanical basin mixer H.85mm L.120mm + waste, Hygiene lever	WRAS1603021	31/03/21			76
2720LEP	EP basin mixer H.85mm L.120mm + waste, Hygiene lever	WRAS1603020	31/03/21			66
2720T	Mechanical basin mixer H.85mm L.120mm + waste, solid lever	WRAS1603021	31/03/21			76
2720TEP	EP basin mixer H.85mm L.120mm + waste, solid lever	WRAS1603020	31/03/21			66
2721L	Mechanical basin mixer H85mm L120mm, no waste, Hygiene lever	WRAS1807008	31/07/23			76

Reference	Product	WRAS Certificate	Expiry Date	BuildCert Certificate	Expiry Date	Page
2721LEP	EP basin mixer H85mm L120mm, no waste, Hygiene lever	WRAS1807008	31/07/23			66
2721T	Mechanical basin mixer H85mm L120mm, no waste, solid lever	WRAS1807008	31/07/23			76
2721TEP	EP basin mixer H85mm L120mm, no waste, solid lever	WRAS1807008	31/07/23			66
2739	Securitouch mechanical shower mixer, sculptured lever, SC	WRAS1511019	30/11/20			140
2739EP	SECURITHERM EP shower mixer, sculptured lever, SC unions	WRAS1511019	30/11/20			132
2820L	BIOCLIP mechanical basin mixer H85mm + waste, Hygiene lever	WRAS1603021	31/03/21			76
2820LEP	BIOCLIP EP basin mixer H85mm + waste, Hygiene lever	WRAS1603020	31/03/21			66
2820T	BIOCLIP mechanical basin mixer H85mm + waste, solid lever	WRAS1603021	31/03/21			76
2820TEP	BIOCLIP EP basin mixer H85mm + waste, solid lever	WRAS1603020	31/03/21			66
2821L	BIOCLIP mechanical basin mix H85mm no waste, Hygiene lever	WRAS1807008	31/07/23			76
2821LEP	BIOCLIP EP basin mix H85mm no waste, Hygiene lever	WRAS1807008	31/07/23			66
2821T	BIOCLIP mechanical basin mixer H85mm no waste, solid lever	WRAS1807008	31/07/23			76
2821TEP	BIOCLIP EP basin mix H85mm no waste, solid lever	WRAS1807008	31/07/23			66
30040.10P	10 × BIOFIL spouts with integrated filter L.138mm Ø22	WRAS1611077	30/11/21			25
30050A.10P	10 × BIOFIL non-sterile cartridge filter A rain effect spray	WRAS1611078	30/11/21			26
30050P.10P	10 × BIOFIL non-sterile cartridge filter P rain effect spray	WRAS1611078	30/11/21			26
30060.10P	10 × BIOFIL non-sterile shower head with integrated filter	WRAS1611079	30/11/21			27
30061.10P	10 × BIOFIL non-sterile threaded shower head w. integ filter	WRAS1611079	24/11/21			27
378015	BINOPTIC basin tap M3/8" mains 230/12V + trans	WRAS1405016	31/05/19			38
37801515	BINOPTIC basin tap Ø15 for comp. fitting 230/12V + trans	Ongoing	-			38
378MCH	BINOPTIC MIX basin mixer M3/8" mains 230/12V + trans	WRAS1405016	31/05/19			38
378MCH15	BINOPTIC MIX basin mixer Ø15 for CF mains 230/12V + trans	Ongoing	-			38
379D13	BINOPTIC c-wall 190 basin tap M3/8"spout L135 mains + trans	WRAS1405015	31/05/19			44
379D1315	BINOPTIC c-w 190 basin tap Ø15 for CF spout L135 mains +trans	Ongoing	-			44
379DER	BINOPTIC c-wall 190 basin tap M3/8"spout L205 mains + trans	WRAS1405015	31/05/19			44
379DER15	BINOPTIC c-w 190 basin tap Ø15 for CF spout L205 mains +trans	Ongoing	-			44
379ENC	BINOPTIC rec basin tap M3/8" spout L200 mains + trans	WRAS1405015	31/05/19			44
379ENC15	BINOPTIC rec basin tap Ø15 for CF spout L200 mains + trans	Ongoing	-			44
379MCH	BINOPTIC MIX c-wall 110 basin mix M3/8" mains 230/12V +trans	WRAS1405015	31/05/19			44
379MCH15	BINOPTIC MIX c-wall 110 basin mix Ø15 for CF mains + trans	Ongoing	-			44
38801515	BINOPTIC basin tap Ø15 for CF H.170mm 230/12V mains supply	Ongoing	-			39
388MCHLH15	BINOPTIC MIX basin Ø15 for CF H.170mm mixer 230/12V mains	Ongoing	-			39
39801515	BINOPTIC basin Ø15 for CF H.250mm tap 230/12V mains supply	Ongoing	-			39
398MCHLH15	BINOPTIC MIX basin Ø15 for CF H.250mm mixer 230/12V mains	Ongoing	-			39
44000115	TEMPOMATIC 4 basin tap M1/2" rec UK mains plug Ø15 stopcock	WRAS1603070	31/03/21			41
440006	TEMPOMATIC 4 basin tap F3/8" int. 6V batteries + stopcock	WRAS1603070	31/03/21			40
44000615	TEMPOMATIC 4 basin tap M1/2" 6V batteries 15mm + stopcock	WRAS1603070	31/03/21			40
443406	TEMPOMATIC 4 wall mounted basin tap M1/2" 6V batteries L.125	WRAS1603071	31/03/21			45
443506	TEMPOMATIC 4 wall mounted basin tap M1/2" 6V batteries L190	WRAS1603071	31/03/21			45
48801515	BINOPTIC basin Ø15 for CF tap H.170mm 6V battery operated	Ongoing	-			39
488MCHLH15	BINOPTIC MIX Ø15 for CF mixer H.170mm 6V battery operated	Ongoing	-			39
49000115	TEMPOMATIC MIX 4 basin M1/2" rec UK mains plug Ø15 stopcocks	WRAS1603070	31/03/21			41
490006	TEMPOMATIC MIX 4 basin mixer F3/8" 6V batteries + stopcocks	WRAS1603070	31/03/21			40
49000615	TEMPOMATIC MIX 4 basin mix M1/2" batteries 15mm + stopcocks	WRAS1603070	31/03/21			40
49801515	BINOPTIC basin Ø15 for CF tap H.250mm 6V battery operated	Ongoing	-			39
498MCHLH15	BINOPTIC MIX Ø15 for CF mixer H.250mm 6V battery operated	Ongoing	-			39
709000	Recessed vandal proof ROUND shower head M1/2"	WRAS1904701	30/04/24			145
712000	TONIC JET vandal proof recessed shower head M1/2"	WRAS1904701	30/04/24			145
732115	PREMIX NANO thermostatic mixer Ø15mm nickel body	WRAS1910701	31/10/24	TMVBC1430	Renewal	90
732116	PREMIX NANO thermostatic mixer Ø15mm chromed body	WRAS1910701	31/10/24	TMVBC1430	Renewal	90

Reference	Product	WRAS Certificate	Expiry Date	BuildCert Certificate	Expiry Date	Page
734100	TEMPOGENOU angled MM1/2" lever L350 ~7sec	WRAS1907013	31/07/24			46
735400	TEMPOGENOU inline MM1/2" lever L350 ~7sec	WRAS1907013	31/07/24			46
73544715	TEMPOGENOU inline MM1/2", lever L350 ~7sec comp fit + olives	WRAS1907013	31/07/24			46
941120	Wall mounted fixed L-shaped spout M1/2" L120 - H60 adj FS	WRAS1811017	30/11/23			48
947120	Wall mounted fixed spout M1/2" L.110 H16 Ø32 adjustable FS	WRAS1811017	30/11/23			48
947135	Wall mtd fixed spout M1/2" L120 H16 Ø32 adj FS + plate Ø60	WRAS1811017	30/11/23			48
947151	Fixed spout for walls 165mm M1/2" L120 Ø32 adjustable FS	WRAS1811017	30/11/23			48
947170	Wall mounted fixed spout M1/2" L160 H16 Ø32 adjustable FS	WRAS1811017	30/11/23			48
967152	Swivel swan neck spout M1/2" L150 H120 adj flow straightener	WRAS1811018	30/11/23			49
967202	Swivel swan neck spout M1/2" L200 H200 adj flow straightener	WRAS1811018	30/11/23			49
H9600	SECURITHERM thermostatic sequential basin mixer H85 L120	WRAS1907015	31/07/24	TMVBC1002	Renewal	56
H9600610	SECURITHERM seq basin mixer H85 L120 lever L146 copper tails	WRAS1907015	31/07/24	TMVBC1002	Renewal	56
H9600610L	SECURITHERM seq basin mixer H85 L120 lever L100 copper tails	WRAS1907015	31/07/24			56
H960015	SECURITHERM sequential basin mixer H85 L120, lever L146 15mm	WRAS1907015	31/07/24			56
H960015L	SECURITHERM sequential basin mixer H85 L120, lever L100 15mm	WRAS1907015	31/07/24			56
H9605	SECURITHERM therm sequential BIOCLIP basin mixer H85 L120mm	WRAS1907015	31/07/24	TMVBC1002	Renewal	56
H9605610	SECURITHERM seq BIOCLIP basin mix H85 L120 lever L146 copper	WRAS1907015	31/07/24	TMVBC1002	Renewal	56
H9605610L	SECURITHERM seq BIOCLIP basin mix H85 L120 lever L100 copper	WRAS1907015	31/07/24			56
H960515	SECURITHERM seq BIOCLIP basin mixer H.85 L.120 L.146, 15mm	WRAS1907015	31/07/24			56
H960515L	SECURITHERM seq BIOCLIP basin mixer H.85 L.120 L.100, 15mm	WRAS1907015	31/07/24			56
H9611P	SECURITHERM seq sink mix SS BIOCLIP spout c-c 150 inline SC	WRAS1302012	Renewal	TMVBC1107	Renewal	58
H9614P	SECURITHERM seq mixer st st BIOCLIP spout c-c 200 inline SC	WRAS1302012	Renewal	-		58
H9615	SECURITHERM therm seq mixer st steel BIOCLIP spout w columns	Ongoing	-			58
H9630	SECURITHERM therm seq shower mix bottom outlet, offset SC	WRAS1907003	31/07/24			104
H963015	SECURITHERM therm seq shower mixer btm outlet inline SC, 15mm	WRAS1907003	31/07/24	TMVBC1363	Renewal	104
H9632	SECURITHERM seq recessed waterproof shower kit 2/2 (+790BOX)	WRAS1512029	17/12/20	TMVBC1824	14/12/21	107
H9640	SECURITHERM thermostatic seq shower top outlet offset SC	WRAS1907003	31/07/24			104
H964015	SECURITHERM therm seq shower mixer top outlet inline SC, 15mm	WRAS1907003	31/07/24	TMVBC1363	Renewal	104
H9741	SECURITHERM thermostatic Securitouch shower mixer, offset SC	WRAS1605050	31/05/21			114
H9741TP	SECURITHERM therm Securitouch shower mixer inline, SC TMV3	WRAS1605050	31/05/21	TMVBC1777	14/12/21	114

## OTHER INTERNATIONAL CERTIFICATIONS

					
European Water Label (EU)	TMV3 (UK)	WRAS (UK)	BELGAQUA (BE)	WATERMARK (AU)	Ü ACOUSTIQUE (DE)
					
DIN-DVGW (DE)	GVD approval (DK)	PZH (PL)	ZNAK BUDOWLANY B (PL)	GA (HK)	WELS (HK)



## WHAT IS THE NF MARK?

The NF Mark affixed on a product attests that the latter complies with the relevant standards and with complementary technical specifications requested by the market, where appropriate.

### • SANITARY WATER CONTROLS

The characteristics are specified in the technical documents, prepared with the participation of the manufacturers, the distributors, the consumer associations, the laboratories and the public authorities, fixed by AFNOR Certification and monitored by the "Centre Scientifique et Technique du Bâtiment" (CSTB) (Scientific and Technical Building Centre). CSTB carries out tests on the products and the audits on the companies as part of this application.

## WHAT DOES THE NF MARK ACCORD?

### > Sanitary water controls

The NF Mark - SANITARY TAPWARE certifies the compliance of products with the certification reference system approved by AFNOR Certification. In particular, this guarantees:

#### > For thermostatic mixers

- quality of the surface covering;
- interchangeability of valves;
- tightness before and after endurance test;
- intercommunication between cold water and hot water;
- flow rates appropriate to the application;
- behaviour when adjusted;
- adjustment precision;
- adjustment sensitivity;
- mixed water temperature stability depending upon:
  - flow rate variation;
  - pressure variation;
  - hot water temperature variation;
- accuracy;
- safety: cold water shut-off and efficiency of the limit stop;
- mechanical performances;
- wear resistance for the control devices;
- acoustic performances.

#### > For mechanical mixers

- quality of the surface covering;
- interchangeability of mixer taps;
- tightness before and after endurance test;
- intercommunication between cold water and hot water;
- flow rates appropriate to the application;
- use comfort depending on the sensitivity, the precision and the temperature constancy;
- mechanical performances;
- wear resistance for the control devices;
- acoustic performances.

## THE NF MARK IS TO BE FOUND ON WHAT PRODUCTS?

The NF Mark is affixed on the following products:

### • SANITARY WATER CONTROLS

- single taps and mixer taps;
- mechanical mixer taps;
- thermostatic mixing valves;
- flow rate regulators;
- shower outlets for sanitary tapware;
- extractable handsprays for sink and washbasin mixer taps;
- shower hoses for sanitary tapware;
- waste fittings;
- automatic shut-off valves;
- stop valves mounted:
  - upstream from sanitary tapware;
  - on a WC flushing cistern;
  - to supply a washing machine;
- multiway selector;
- automatic diverter, Family H, type C;
- electronic opening and closing valve, and specifies the ratings for some of them.

### ECAU/EChAU classification for mechanical mixers:

There are 4 basic characteristics and the letters E A U have the same meaning as for the other mixers (see table below). The letters C or Ch (comfort, water and energy savings) correspond to the specific parameters of the products (dimensions, effort to operate and water saving systems). The letter C refers to the domestic sector, whereas Ch refers to non-domestic (retirement homes, care homes, non-healthcare etc.).

Flow rate <b>E</b>	Q lpm measured at 3 bar	<b>E00</b>	4 lpm ≤ Q < 6 lpm
		<b>E0</b>	9 lpm ≤ Q < 12 lpm
		<b>E1</b>	12 lpm ≤ Q < 16 lpm
		<b>E2</b>	16 lpm ≤ Q < 20 lpm
		<b>E3</b>	20 lpm ≤ Q < 25.2 lpm
		<b>E4</b>	25.2 lpm ≤ Q
The minimum rating for bath mixers is E3			
Comfort <b>C or Ch</b>	Type	<b>C1</b>	Dimensions, effort to operate
		<b>C2</b>	Water saving features
Sound level <b>A</b>	Lap dB (A)	<b>A1</b>	20 dB (A) < Lap ≤ 30 dB (A)
		<b>A2</b>	15dB (A) < Lap ≤ 20 dB (A)
		<b>A3</b>	Lap ≤ 15 dB (A)
Wear characteristics <b>U</b>	No. of cycles	<b>U1</b>	Movable obturation mechanism: 70,000 cycles Mobile nozzle: 80,000 cycles Bath-shower diverter: 30,000 cycles
		<b>U2</b>	Movable obturation mechanism: 122,500 cycles Mobile nozzle: 140,000 cycles Bath-shower diverter: 50,000 cycles
		<b>U3</b>	Movable obturation mechanism: 175,000 cycles Mobile nozzle: 200,000 cycles Bath-shower diverter: 80,000 cycles

REF.	DESCRIPTION	P.	REF.	DESCRIPTION	P.
098020	Discontinued	-	187000	HYGIENE surgical scrub high upstand L2100 304 st steel satin	188
102400	Hinged stainless steel grid for ref 182400	192	187020	HYGIENE surgical scrub low upstand L.2100 304 st steel satin	188
120270	TRAPEZ basin no tap hole 304 satin st. steel w/o overflow	196	18702015	HYGIENE surgical scrub low upstand L.2400 304 st steel satin	188
120400	PMR XS basin vert waste no tap hole 304 satin stainless steel	195	187100	HYGIENE surgical scrub L2100 3 tap holes Ø22 304 st st satin	188
120440	FRAJU PMR basin no tap hole no overflow 304 st steel satin	196	187200	HYGIENE surg. scrub L.2100 6 tap holes Ø22 c-c150 304 st st	188
121270	TRAPEZ basin Ø35 ctr tap hole 304 satin st. steel w/o overflow	196	200000	Pre-mixer COMPACT MF1/2" for basin non return valves	-
121440	FRAJU PMR basin tap hole Ø35 no overflow 304 st steel satin	196	20002	2 × BIOCLIP stainless steel spouts L129mm Ø28	47/80
1306T1	Tubular swivel spout Ø22 H140 L150	49	20003	2 × BIOCLIP stainless steel spouts L77mm Ø28	47/80
1306T2	Tubular swivel spout Ø22 H260 L200	49	20015	15 × BIOCLIP disposable spouts L125mm Ø22	47/80
1306T3	Tubular swivel spout Ø22 H260 L300	49	20040.10P	10 × BIOFIL sterile spouts with integrated filter L138mm Ø22	25/80
1316	Swivel column with retractable spray, H200 L220mm	57/82	20050A.10P	10 × BIOFIL sterile cartridge filter A, rain effect spray	26
132300	Discontinued	-	20050P.10P	10 × BIOFIL sterile cartridge filter P, rain effect spray	26
132303	Discontinued	-	20051A.10P	10 × BIOFIL sterile cartridge filter A with laminar flow	26
132306	MINERALCAST PMR wall mounted basin L.785 Ø35 centre hole	197	20051P.10P	10 × BIOFIL sterile cartridge filter P with laminar flow	26
150022D	Discontinued	-	20060.10P	10 × BIOFIL sterile shower head with integrated filter	27
158100	Stop cock 1/2" with vacuum breaker + 1/4 turn ceramic head	161	20061.10P	10 × BIOFIL sterile threaded shower head with integrated filter	27
1583	Reinforced washbasin flexible FF1/2" 1m	161	20164T1	Electronic mix 230V high swivel spout H165 L160, lever L100	35
15846	Trigger hand spray bed pan cleaner M1/2" inverted jet	161	20164T115	Replaced by 20164T1	-
1585	Wall hook for washbasin push-button operated hand spray	161	20164T4	Electronic mix 230V high swivel spout H305 L250, lever L100	35
180100	ILHA free standing water fountain H915 304 st steel satin	193	20164T415	Replaced by 20164T4	-
180110	ILHA JR free std water fountain H800 304 st steel satin	193	204001	Deck mounted fixed spout M1/2" L150 H170 Ø16 FS 3lpm	49
180130	Hospital plaster sink wall mounted 304 stainless steel satin	192	20464T1	Elect battery mix, high swivel spout H165 L160, lever L100	35
180140	Floor standing combi basin sink 304 stainless steel satin	190	20464T115	Replaced by 20464T1	-
180150	Floor standing cleaners sink 304 stainless steel satin	190	20464T4	Elect battery mix, high swivel spout H305 L250, lever L100	35
180170	Wall mounted cleaners sink 304 stainless steel satin	191	20464T415	Replaced by 20464T4	-
1801T2	Wall mounted base + 1 BIOCLIP disposable spout, panel fix	47	20801T2	Wall mtd elect tap with BIOCLIP disposable spout, panel fix	43
180300	SXL hand wash free standing right hole Ø22 304 st steel sat	194	20804T2	Wall mtd elect tap with 2 BIOCLIP st steel spouts panel fix	43
1804T2	Wall mounted base + 2 BIOCLIP st. steel spouts, panel fix	47	20804T215	Wall mtd elect tap 2 BIOCLIP st steel spouts 15mm panel fix	43
180800	SD wall mounted water fountain 304 stainless steel satin	193	20870T1	Elect mix H160 swivel spout + 2 BIOCLIP st steel spouts	35
180900	Discontinued	-	20870T115	Replaced by 20870T1	-
181000	Surgical scrub trough high upstand L.700 304 st steel satin	189	20870T3	Elect mix H300 with swivel spout + 2 BIOCLIP st steel spouts	35
181020	Surgical scrub trough low upstand L.700 304 st steel satin	189	20870T315	Replaced by 20870T3	-
181100	Surgical scrub trough L700 1 tap hole Ø22 304 st steel satin	189	20871T1	Elect mixer H160 w. swivel spout + BIOCLIP disposable spout	35
181200	Surgical scrub L.700 2 tap holes Ø22 c-c 150 304 st st satin	189	20871T3	Elect mixer H300 w. swivel spout + BIOCLIP disposable spout	35
181310	SXS hand washbasin w/o tap 304 satin st steel	194	22.5P	5 × Scale proof aerator F22/100	-
181320	SXS hand washbasin w/o tap with upstand 304 satin st steel	194	220000	Replaced by 1306T1	-
182000	Surgical scrub trough high upstand L.1400 304 st steel satin	189	2210	Mechanical sink mixer swivel spout H145 L225mm sculpt lever	78
182020	Surgical scrub trough low upstand L.1400 304 st steel satin	189	2210L	Mechanical sink mixer swivel spout H145 L225mm Hygiene lever	78
182060	XL P floor std disposal sink horiz inlet 304 st steel satin	191	2211	Mech sink mixer swivel spout/ret. spray H105mm, solid lever	82
182070	XL P floor std disposal sink vert inlet 304 st steel satin	191	2211EP	EP sink mixer swivel spout/ret. spray H105mm, solid lever	68
182100	Surgical scrub L.1400 2 tap holes Ø22 304 st steel satin	189	2211L	Mech sink mixer swivel spout/ret spray H105mm Hygiene lever	82
182160	XL S wall mtd disposal sink horiz inlet 304 st steel satin	191	2211LEP	EP sink mixer swivel spout/ret. spray H105mm, Hygiene lever	68
182200	Surgical scrub L.1400 4 tap holes Ø22 c-c150 304 st st satin	189	2220	Mechanical basin mixer H60mm, pop-up waste, sculptured lever	77
182310	SXS hand washbasin mechanical complete 304 satin st steel	194	2220L	Mechanical basin mixer H60mm, pop-up waste, Hygiene lever	77
182320	SXS hand washbasin mechanical complete with upstand 304 satin st steel	194	2221	Mech. basin mixer H60mm, no pop-up waste, sculptured lever	77
182400	Wall mtd sink with splashback 304 pol satin stainless steel	192	2221L	Mechanical basin mixer H60mm, no pop-up waste, Hygiene lever	77
183000	Surgical scrub trough high upstand L.2100 304 st steel satin	189	222428	Key for removing aerators F22×100 M24×100 M28×100	208
183020	Surgical scrub trough low upstand L.2100 304 st steel satin	189	2239	Mechanical shower mixer bottom outlet sculpt lever offset SC	142
183100	Surgical scrub L.2100 3 tap holes Ø22 304 st steel satin	189	2239EP	EP shower mixer, bottom outlet, sculptured lever, SC unions	135
183200	Surgical scrub L.2100 6 tap holes Ø22 c-c150 304 st st satin	189	2239EPHYG	Auto drain shower kit with mixer 2239EP, SC unions	135
184310	SXS hand washbasin electronic complete 304 satin st steel	195	2239EPKIT	Shower kit with mixer 2239EP, SC unions	135
18431015	WRAS SXS hand washbasin elect. complete 304 st steel	195	2239EPS	EP shower mixer, bottom outlet, sculptured lever, offset std	135
184320	SXS hand washbasin electronic complete with upstand 304 satin st steel	195	2239EPSHYG	Autodrain shower kit with mixer 2239EPS, offset std unions	135
18432015	WRAS SXS hand washbasin elect. complete with upstand 304 st steel	195	2239EPSKIT	Shower kit with mixer 2239EPS, offset standard unions	135
185000	HYGIENE surgical scrub high upstand L.700 304 st steel satin	188	2239S	Mech shower mixer bottom outlet, sculpt lever, offset std	142
185020	HYGIENE surgical scrub low upstand L.700 304 st steel satin	188	2252S	Wall mtd mech shower bath mixer sculpt lever, offset std	142
18502015	HYGIENE surgical scrub low upstand L.800 304 st steel satin	188	232014	Discontinued	-
185100	HYGIENE surgical scrub L700 1 taphole Ø22 304 st steel satin	188	234004A	Replaced by 182400	-
185200	HYGIENE surg scrub L700 2 tapholes Ø22 c-c150 304 st st sat	188	234006A	Replaced by 182400	-
186000	HYGIENE surgical scrub high upstand L.1400 304 st st satin	188	234015A	Replaced by 102400	-
186020	HYGIENE surgical scrub low upstand L.1400 304 st steel satin	188	234017A	Replaced by 102400	-
18602015	HYGIENE surgical scrub low upstand L.1600 304 st steel satin	188	24.5P	5 × Scale proof aerator M24/100	-
186100	HYGIENE surgical scrub L1400 2 tap holes Ø22 304 st st satin	188	2420	Replaced by 2620MINI	-
186200	HYGIENE surg. scrub L.1400 4 tap holes Ø22 c-c150 304 st st	188	2420L	Replaced by 2620MINI	-

References prefixed by \* are available while stocks last. References are listed in ascending alphanumerical order.

REF.	DESCRIPTION	P.	REF.	DESCRIPTION	P.
2421	Replaced by 2621MINI	-	2539EPKIT	Shower kit with mixer 2539EP, SC unions	134
2421L	Replaced by 2621MINI	-	2539EPS	EP shower mixer, bottom outlet, sculptured lever, standard	134
2436	Wall mtd sequential mech mixer, swivel spout L.200, SC unions	85	2539EPSHYG	Autodrain shower kit with mixer 2539EP, std unions	134
2436P	Wall mtd sequ. mech mixer, swivel spout L.200 inline SC unions	85	2539EPSKIT	Shower kit with mixer 2539EPS, standard unions	134
2436S	Wall mtd mech seq sink mixer swivel spout L200mm offset std	85	2539HYG	Auto drain shower kit with mechanical mixer 2539, SC unions	143
2437	Wall-mtd sequential mech mixer, fixed spout L.200, SC unions	85	2539KIT	Shower kit with mechanical mixer 2539, SC unions	143
2437S	Wall-mtd sequential mech mixer, fixed spout L.200 offset std	85	2539S	Mechanical shower mixer bottom outlet sculpt lever, offset std	142
2439	Replaced by 2739	-	2539SHYG	Auto drain shower kit with mechanical mixer 2539, offset std	143
2439EP	Replaced by 2739EP	-	2539SKIT	Shower kit with mechanical mixer 2539, offset std	143
2439EPS	Replaced by 2739EPS	-	2539T	Replaced by 2539	-
2439S	Replaced by 2739S	-	2539TS	Replaced by 2539S	-
2443	Recessed mechanical shower mixer behind wall plate Ø116	144	2542	Mech mixer w. remote control, sculpt lever for retr. spray	82
2445	Wall mtd mech Secur sink mix swiv spout L200, sculpt lever,SC	86	2542EP	EP mixer w. remote ctrl, sculpt lever for retracting spray	68
2445EP	Wall mtd EP Secur sink mix swiv spout L200, sculpt lever SC	69	2543	Recessed waterproof shower mixer, kit 2/2 (+790BOX)	144
2445EPS	Wall mtd EP Secur sink mix swiv spout L200, sculpt lever, std	69	2544	Replaced by 2599	-
2445L	Wall mtd mech Secur sink mixer swiv spout L200mm Hyg lever,SC	86	2564T1	Mechanical mixer high swivel spout H165 L160mm Hygiene lever	81
2445LEP	Wall mtd EP Securtouch mixer swivel spout L200 Hyg lever,SC	69	2564T2	Mechanical mixer high swivel spout H165 L250mm Hygiene lever	81
2445LEPS	Wall mtd sink EP Secur mixer swiv spout L200mm, Hyg lever, std	69	2564T3	Mechanical mixer high swivel spout H305 L160mm Hygiene lever	81
2445LEPUK	EP sink mixer c-c 150, fixed spout L200, Hyg L., inline S/C	69	2564T4	Mechanical mixer high swivel spout H305 L250mm Hygiene lever	81
2445LS	Wall mtd mech Secur sink mixer swiv spout L200,Hyg lever, std	86	2565T1	Mechanical mixer high fixed spout H165 L160mm, Hygiene lever	81
2445S	Wall mtd mech Secur mixer swiv spout L200, sculpt lever, std	86	2565T1EP	EP mixer high fixed spout H165 L160 Hygiene lever	67
2446	Wall mtd mech Secur sink mix swiv spout L150, sculpt lever,SC	86	2565T3	Mechanical mixer high fixed spout H305 L160mm, Hygiene lever	81
2446EP	Wall mtd EP Secur sink mix swiv spout L150, sculpt lever SC	69	2565T3EP	EP mixer high fixed spout H305 L160mm Hygiene lever	67
2446EPS	Wall mtd EP Secur sink mix swiv spout L150, sculpt lever, std	69	2565T4	Replaced by 2564T4	-
2446L	Wall mtd mech Secur sink mixer swiv spout L150mm Hyg lever,SC	86	2565T4EP	Replaced by 2565T3EP	-
2446LEP	Wall mtd EP Securtouch mixer swivel spout L150 Hyg lever,SC	69	2591	Bed pan cleaner stop cock + trigger hand spray with FS	160
2446LEPS	Wall mtd sink EP Secur mixer swiv spout L150mm, Hyg lever, std	69	2592	Bed pan cleaner stop cock + inverted trigger hand spray	160
2446LEPUK	EP sink mixer c-c 150, fixed spout L150, Hyg L., inline S/C	69	2597	Mechanical mixer swivel spout H210 L190mm retractable spray	82
2446LS	Wall mtd mech Secur sink mixer swiv spout L150,Hyg lever, std	86	2599	Mixer + column retractable hand spray H200, sculptured lever	82
2446S	Wall mtd mech Secur mixer swiv spout L150, sculpt lever, std	86	2599EP	EP mixer + column with retractable spray H.200, sculpt lever	68
2447LEPUK	EP sink mixer c-c 200, fixed spout L150, Hyg L., inline S/C	69	260020	Recessed diverter valve	153
2447LUK	Mech sink mixer 200 c-c fixed spout L150, hyg L., in-L S/C	86	260021	Exposed diverter valve	153
25061T1	Basin mixer with swivel spout H200 L150mm, no waste	79	2620	BIOSAFE mechanical basin mixer H95 with waste, solid lever	75
2506T1	Basin mixer with swivel spout H200 L150mm, with waste	79	26206	BIOSAFE mech basin mixer H95 with waste, solid lever, copper	75
2506T2	Sink mixer with swivel spout H220 L200mm, no waste	79	26206EP	BIOSAFE EP basin mixer H95mm with waste, solid lever, copper	65
2510	Mechanical sink mixer swivel spout H155 L230mm sculpt lever	78	26206MINI	BIOSAFE mech basin mixer H55 with waste, solid lever, copper	75
2510L	Mechanical sink mixer swivel spout H155 L230mm Hygiene lever	78	26206MINIEP	BIOSAFE EP basin mixer H55mm with waste, solid lever, copper	65
2510T	Sink mixer with swivelling spout H155 L230mm solid lever	78	2620EP	BIOSAFE EP basin mixer H95 with waste, solid lever	65
2519	Wall mtd mech mixer swiv spout L200, sculpt lever, SC unions	87	2620MINI	BIOSAFE mechanical basin mixer H55mm with waste, solid lever	75
2519L	Wall mtd mech mixer swivel spout L200 Hygiene lever,SC unions	87	2620MINIEP	BIOSAFE EP basin mixer H55mm with waste, solid lever	65
2519LS	Wall mtd mech mixer swiv spout L200 Hygiene lever offset std	87	2621	BIOSAFE mechanical basin mixer H95 no waste, solid lever	75
2519S	Wall mtd mech mixer swiv spt L200mm sculpt lever offset std	87	26216	BIOSAFE mech basin mixer H95mm no waste, solid lever, copper	75
2520	Mechanical basin mixer H.85mm L.135mm + waste, sculpt lever	77	26216EP	BIOSAFE EP basin mixer H95mm no waste, solid lever, copper	65
2520EP	EP basin mixer H.85mm L.135mm + waste, sculptured lever	67	26216MINI	BIOSAFE mech basin mixer H55mm no waste, solid lever, copper	75
2520L	Mechanical basin mixer H.85mm L.135mm + waste, Hygiene lever	77	26216MINIEP	BIOSAFE EP basin mixer H55mm no waste, solid lever, copper	65
2520LEP	EP basin mixer H.85mm L.135mm + waste, Hygiene lever	67	2621EP	BIOSAFE EP basin mixer H95 no waste, solid lever	65
2520T	Mechanical basin mixer H.85mm L.135mm + waste, solid lever	77	2621MINI	BIOSAFE mech basin mixer H55mm no waste, solid lever	75
2520TEP	EP basin mixer H.85mm L.135mm + waste, solid lever	67	2621MINIEP	BIOSAFE EP basin mixer H55mm no waste, solid lever	65
2521	Mechanical basin mixer H.85mm L.135mm no waste, sculpt lever	77	2640	Wall-mtd seq mech mix with fixed/swivel spout L120 offset SC	85
2521EP	EP basin mixer H.85mm L.135mm no waste, sculptured lever	67	2640S	Wall-mtd seq mech mix w. fixed/swivel spout L120 offset std	85
2521L	Mechanical basin mixer H85mm L135mm, no waste, Hygiene lever	77	2641	Wall-mtd seq mech mix with fixed/swivel spout L200 offset SC	85
2521LEP	EP basin mixer H85mm L135mm, no waste, Hygiene lever	67	2641S	Wall-mtd seq mech mix w. fixed/swivel spout L200 offset std	85
2521T	Mechanical basin mixer H85mm L135mm, no waste, solid lever	77	2720L	Mechanical basin mixer H.85mm L.120mm + waste, Hygiene lever	76
2521TEP	EP basin mixer H85mm L135mm, no waste, solid lever	67	2720LEP	EP basin mixer H.85mm L.120mm + waste, Hygiene lever	66
2522	Mech. basin mix. with swivel spout H100mm L170mm, sculpt lever	78	2720T	Mechanical basin mixer H.85mm L.120mm + waste, solid lever	76
2522L	Mech. basin mix. with swivel spout H100mm L170mm, Hyg. lever	78	2720TEP	EP basin mixer H.85mm L.120mm + waste, solid lever	66
2522T	Mech. basin mix. with swivel spout H100mm L170mm, solid lever	78	2721L	Mechanical basin mixer H85mm L120mm, no waste, Hygiene lever	76
2538	Replaced by 2539	-	2721LEP	EP basin mixer H85mm L120mm, no waste, Hygiene lever	66
2538S	Replaced by 2539S	-	2721T	Mechanical basin mixer H85mm L120mm, no waste, solid lever	76
2538T	Replaced by 2539	-	2721TEP	EP basin mixer H85mm L120mm, no waste, solid lever	66
2538TS	Replaced by 2539S	-	2739	Securitouch mechanical shower mixer, sculptured lever, SC	140
2539	Mechanical shower mixer bottom outlet sculpt lever,SC unions	142	2739EP	SECURITHERM EP shower mixer, sculptured lever, SC unions	132
2539EP	EP shower mixer, bottom outlet, sculptured lever, SC unions	134	2739EPHYG	Auto drain shower kit w. Securitouch mixer 2739EP, SC unions	133
2539EPHYG	Auto drain shower kit with mixer 2539EP, SC unions	134	2739EPKIT	Shower kit with Securitouch mixer 2739EP, SC unions	133

References prefixed by \* are available while stocks last. References are listed in ascending alphanumerical order.

REF.	DESCRIPTION	P.	REF.	DESCRIPTION	P.
2739EPS	SECURITHERM EP shower mixer, sculptured lever, offset std	132	398MCHLH15	BINOPTIC MIX basin Ø15 for CF H.250mm mixer 230/12V mains	39
2739EPSHYG	Autodrain shower kit w. Securitouch mixer 2739EPS offset std	133	409100	TEMPOMATIC MIX 4, basin mixer F3/8" rec mains supply 230/6V	-
2739EPSKIT	Shower kit with Securitouch mixer 2739EPS, offset std unions	133	409140	Discontinued	-
2739HYG	Auto drain shower kit w. Securitouch mixer 2739, SC unions	141	434000	HOSPITAL trigger hand spray for bed pans	161
2739KIT	Shower kit with Securitouch mixer 2739, SC unions	141	434065	HYGIÉNA trigger hand spray w. flow straightener for bed pans	161
2739S	Securitouch mech. sh. mix, sculpt lever bottom outlet, std	140	434080	Flexible white PVC hose FF1/2" L0.80m	161
2739SHYG	Auto drain shower kit w. Securitouch mixer 2739S, offset std	141	434125	Flexible white PVC hose FF1/2" L1.25m	161
2739SKIT	Shower kit w. Securitouch mixer 2739S, offset std unions	141	434182	Inverted trigger hand spray with push button for bed pans	161
2739T	Securitouch mechanical shower mixer, solid lever, SC unions	140	440000	TEMPOMATIC 4, basin tap F3/8" rec mains 230/6V + stopcock	41
2739TEP	SECURITHERM EP shower mixer, solid lever, SC unions	132	44000015	TEMPOMATIC 4 basin tap M1/2" rec mains supply Ø15 + stopcock	41
2739TEPS	SECURITHERM EP shower mixer, solid lever, standard unions	132	440001	TEMPOMATIC 4, basin tap F3/8" mains plug 230/6V + stopcock	41
2739TS	Securitouch mechanical shower mixer, solid lever, std unions	140	44000115	TEMPOMATIC 4 basin tap M1/2" rec UK mains plug Ø15 stopcock	41
28.2P	2 x Scale proof aerator M28/100	-	440001HK	TEMPOMATIC 4 basin tap F3/8" HK mains plug 230/6V + stopcock	41
28201L	BIOCLIP mechanical basin mixer H85mm lever no stopcocks	76	440006	TEMPOMATIC 4 basin tap F3/8" int. 6V batteries + stopcock	40
28201LEP	BIOCLIP EP basin mixer H85mm, long lever, no stopcocks	66	44000615	TEMPOMATIC 4 basin tap M1/2" 6V batteries 15mm + stopcock	40
28201T	BIOCLIP mech bsn mix H85 pop-up waste solid lev no stopcocks	76	440100	TEMPOMATIC 4, basin tap F3/8" recessed mains supply 230/6V	41
28201TEP	BIOCLIP EP basin mix H85 pop-up waste solid lev no stopcocks	66	440101	TEMPOMATIC 4, basin tap F3/8" mains supply plug 230/6V	41
2820L	BIOCLIP mechanical basin mixer H85mm + waste, Hygiene lever	76	440106	TEMPOMATIC 4 basin tap F3/8" integrated 6V batteries	40
2820LEP	BIOCLIP EP basin mixer H85mm + waste, Hygiene lever	66	441157	TEMPOMATIC cross wall 155 basin tap mains 230/12V spout L170	43
2820T	BIOCLIP mechanical basin mixer H85mm + waste, solid lever	76	44115715	TEMPOMATIC Ø15 for CF c-w 155 basin tap 230/12V spout L170	43
2820TEP	BIOCLIP EP basin mixer H85mm + waste, solid lever	66	441452B	*Blue disc for multi unit c-wall control Ø26-54(while stock)	-
28211L	BIOCLIP basin mixer H85mm no waste, Hygiene lever no stopcocks	76	441452CEB	Discontinued	-
28211LEP	BIOCLIP EP basin mixer H85 no waste, Hygiene lever no stopcocks	66	441452DET	Discontinued	-
28211T	BIOCLIP mech basin mix H85 no waste solid lev, no stopcocks	76	441452R	*Red disc for multi unit c-wall control Ø26-54 (while stock)	-
28211TEP	BIOCLIP EP basin mix H85 no waste solid lev no stopcocks	66	441453	*TEMPOMATIC multi unit 8 way 230/12V (while stock lasts)	-
2821L	BIOCLIP mechanical basin mix H85mm no waste, Hygiene lever	76	441453DET	Discontinued	-
2821LEP	BIOCLIP EP basin mix H85mm no waste, Hygiene lever	66	442006	TEMPOMATIC 3 basin tap F3/8" 6V int batteries + stopcock	-
2821T	BIOCLIP mechanical basin mixer H85mm no waste, solid lever	76	44200615	TEMPOMATIC 3 basin tap M1/2" 6V batteries 15mm + stopcock	-
2821TEP	BIOCLIP EP basin mix H85mm no waste, solid lever	66	442106	TEMPOMATIC 3 basin tap F3/8" 6V integrated 6V batteries	-
2870T1	Mixer with BIOCLIP swivel spout H160 + 2 st steel spouts	80	443006	TEMPOMATIC 3 wall mounted basin tap M1/2" 6V batteries L190	-
2870T3	Mixer with BIOCLIP swivel spout H300 + 2 st steel spouts	80	443016	TEMPOMATIC 3 basin tap M1/2" 6V batt L.190 for panels 1-4mm	-
2871T1	Mixer with BIOCLIP swivel spout H160 + 1 disposable spout	80	443400	TEMPOMATIC 4 basin M1/2" wall-m tap 230/6V rec. mains L.130	45
2871T3	Mixer with BIOCLIP swivel spout H300 + 1 disposable spout	80	443406	TEMPOMATIC 4 wall mounted basin tap M1/2" 6V batteries L.125	45
292015.2P	2 x Moulded wall plate Ø60x21x5 for tap M1/2"	161	443410	TEMPOMATIC 4 basin M1/2" tap CW 230/6V rec. mains L.130	45
30040.10P	10 x BIOFIL spouts with integrated filter L.138mm Ø22	25/80	443416	TEMPOMATIC 4 basin M1/2" cross wall tap 6V L.130	45
30050A.10P	10 x BIOFIL non-sterile cartridge filter A rain effect spray	26	443426	TEMPOMATIC 4 basin tap M1/2" 6V batteries L125 panels 1-24mm	45
30050P.10P	10 x BIOFIL non-sterile cartridge filter P rain effect spray	26	443500	TEMPOMATIC 4 basin M1/2" wall-m tap 230/6V rec. mains L.190	45
30051A.10P	10 x BIOFIL non-sterile cartridge filter A with laminar flow	26	443506	TEMPOMATIC 4 wall mounted basin tap M1/2" 6V batteries L190	45
30051P.10P	10 x BIOFIL non-sterile cartridge filter P with laminar flow	26	443510	TEMPOMATIC 4 basin M1/2" tap CW 230/6V rec. mains L.190	45
30060.10P	10 x BIOFIL non-sterile shower head with integrated filter	27	443516	TEMPOMATIC 4 basin M1/2" cross wall tap 6V L.190	45
30061.10P	10 x BIOFIL non-sterile threaded shower head w. integ filter	27	443526	TEMPOMATIC 4 tap M1/2" 6V batteries L190 for panels 1-24mm	45
374001	Hypereco liquid soap dispenser 0.9L white ABS	94	444000	TEMPOMATIC 2 basin tap M3/8" mains 230/12V + transformer	37
378015	BINOPTIC basin tap M3/8" mains 230/12V + trans	38	44400015	TEMPOMATIC 2 basin tap Ø15 for CF mains 230/12V + transfo	37
37801515	BINOPTIC basin tap Ø15 for comp. fitting 230/12V + trans	38	444006	TEMPOMATIC 2 basin tap M3/8" 6V battery	37
378MCH	BINOPTIC MIX basin mixer M3/8" mains 230/12V + trans	38	44400615	TEMPOMATIC 2 basin tap Ø15 compression fitting 6V battery	37
378MCH15	BINOPTIC MIX basin mixer Ø15 for CF mains 230/12V + trans	38	445000	Replaced by 444000	-
379D13	BINOPTIC c-wall 190 basin tap M3/8" spout L135 mains + trans	44	44500015	Replaced by 44400015	-
379D1315	BINOPTIC c-w 190 basin tap Ø15 for CF spout L135 mains +trans	44	445006	Replaced by 444006	-
379DER	BINOPTIC c-wall 190 basin tap M3/8" spout L205 mains + trans	44	44500615	Replaced by 44400615	-
379DER15	BINOPTIC c-w 190 basin tap Ø15 for CF spout L205 mains +trans	44	445253	TEMPOMATIC PRO basin tap M3/8" 230/12V with swivel spout	36
379ECM	BINOPTIC MIX recessed/plate basin mix M3/8" mains + trans	-	44525315	TEMPOMATIC PRO basin tap Ø15 for CF 230/12V with swivel spout	36
379ECML	BINOPTIC MIX rec basin mix M3/8" mains + trans, long lever	-	445257	TEMPOMATIC PRO basin tap M3/8" 6V batt. with swivel spout	36
379ENC	BINOPTIC rec basin tap M3/8" spout L200 mains + trans	44	44525715	TEMPOMATIC PRO basin tap Ø15 for CF 6V batt. with swivel spout	36
379ENC15	BINOPTIC rec basin tap Ø15 for CF spout L200 mains + trans	44	447500	TEMPOMATIC rec basin tap /st steel plate 230/12V spout L170	-
379MCH	BINOPTIC MIX c-wall 110 basin mix M3/8" mains 230/12V +trans	44	450120D	Discontinued	-
379MCH15	BINOPTIC MIX c-wall 110 basin mix Ø15 for CF mains + trans	44	453140	MINERALCAST wall mtd basin L1400 3 places Ø35 centre hole	-
379MCHL	BINOPTIC MIX c-wall 110 basin M3/8" mains +trans long lever	-	454001A	MINERALCAST mounting bracket H700	-
388015	BINOPTIC basin M3/8" H.170mm tap 230/12V mains supply	39	454010	MINERALCAST mounting bracket H850	-
38801515	BINOPTIC basin tap Ø15 for CF H.170mm 230/12V mains supply	39	454120	MINERALCAST wall mtd basin L1200 2 places no tap hole	-
388MCHLH	BINOPTIC MIX basin M3/8" H.170mm mixer 230/12V mains supply	39	454122	MINERALCAST wall mtd basin L1200 2 places Ø35 centre hole	-
388MCHLH15	BINOPTIC MIX basin Ø15 for CF H.170mm mixer 230/12V mains	39	454180	MINERALCAST wall mtd basin L1800 3 places no tap hole	-
398015	BINOPTIC basin M3/8" H.250mm tap 230/12V mains supply	39	454182	MINERALCAST wall mtd basin L1800 3 places Ø35 centre hole	-
39801515	BINOPTIC basin Ø15 for CF H.250mm tap 230/12V mains supply	39	461032	Cartridge and solenoid valve for dual control TEMPOMATIC WC	209
398MCHLH	BINOPTIC MIX basin M3/8" H.250mm mixer 230/12V mains supply	39	461034	Solenoid valve MM1" 12V for TEMPOMATIC WC 463326	209

References prefixed by \* are available while stocks last. References are listed in ascending alphanumerical order.

REF.	DESCRIPTION	P.	REF.	DESCRIPTION	P.
461035	Solenoid valve MM1" 12V for TEMPOMATIC WC + urinal	209	493416	TEMPOMATIC MIX 4 basin F3/8" mix c-wall 6V batteries L.130	45
463000	Electronic multi unit 230/12V for TEMPOMATIC WC + trans	209	493500	TEMPOMATIC MIX 4 basin M1/2" wall-m mix 230/6V rec mains L.220	45
463030	TEMPOMATIC WC cross wall 30mm valve 1" mains 230/12V	169	493506	TEMPOMATIC MIX 4 basin M1/2" wall-m mixer 6V batteries L.220	45
463030HK	TEMPOMATIC WC cross wall 30mm valve 1" mains 230/12V for HK	169	493510	TEMPOMATIC MIX 4 basin F3/8" mixer CW 230/6V rec mains L.190	45
463150	TEMPOMATIC WC cross wall 160mm valve 1" mains 230/12V	169	493516	TEMPOMATIC MIX 4 basin F3/8" mix c-wall 6V batteries L.190	45
463150HK	TEMPOMATIC WC cross wall 160mm valve 1" mains 230/12V for HK	169	494000	TEMPOMATIC MIX 2 basin mix M3/8" mains 230/12V + transformer	37
463200	TEMPOMATIC WC cross wall 225mm valve 1" mains 230/12V	169	494000LH	TEMPOMATIC MIX 2 basin mixer M3/8" 230/12V + LH lever	-
463200HK	TEMPOMATIC WC cross wall 225mm valve 1" mains 230/12V for HK	169	49400015	TEMPOMATIC MIX 2 basin mix Ø15 for CF mains 230/12V + trans	37
463326	TEMPOMATIC WC recessed valve 1" st steel plate mains 230/12V	169	494006	TEMPOMATIC MIX 2 basin mixer M3/8" 6V battery	37
463399	Detector for TEMPOMATIC WC with 4m cable	209	494006LH	TEMPOMATIC MIX 2 basin mixer M3/8" 6V battery + LH lever	-
463547	TEMPOMATIC WC recessed valve 1"/plate mains 230/12V for HK	169	49400615	TEMPOMATIC MIX 2 basin mixer Ø15 comp. fitt. 6V battery	37
463SRH	Solenoid valve + stopcock F1" + vacuum breaker Ø32 for WC	-	495000	Replaced by 494000	-
464000	TEMPOMATIC WC dual control recessed st steel 230/6V kit 2/2	168	49500015	Replaced by 49400015	-
464006	TEMPOMATIC WC dual control recessed st steel 6V bat. kit 2/2	168	495006	Replaced by 494006	-
464PBOX	TEMPOMATIC WC 3/4" rec dual ctrl vlv 6V bat kit 1/2 (+464006)	168	49500615	Replaced by 49400615	-
464PISP	Satin SS plate - batteries for TEMPOMATIC WC rec dual control	209	495070	TEMPOMATIC detector with cable L0.7m	209
464PISS	Satin SS plate - mains supply for TEMPOMATIC WC rec dual ctrl	209	495149	TEMPOMATIC detector with cable L1.50m	209
464SBOX	TEMPOMATIC WC 3/4" dual control rec 230/6V kit 1/2 (+464000)	168	495253	TEMPOMATIC MIX PRO basin mix M3/8" 230/12V with swivel spout	36
478015	BINOPTIC basin tap M3/8" 6V battery	38	49525315	TEMPOMATIC MIX PRO basin mix Ø15 for CF 230/12V swivel spout	36
47801515	BINOPTIC basin tap Ø15 for compression fitting 6V battery	38	495257	TEMPOMATIC MIX PRO basin mix M3/8" 6V batt. with swivel spout	36
478MCH	BINOPTIC MIX basin mixer M3/8" 6V battery	38	49525715	TEMPOMATIC MIX PRO basin mix Ø15 for CF 6V batt. swivel spout	36
478MCH15	BINOPTIC MIX basin mixer Ø15 compression fittings 6V battery	38	495444BC	Standard electronic control unit 230/12V with duty flush	209
478MCHLH	BINOPTIC MIX basin mixer M3/8" 6V battery, LH	-	495445BC	Multifunction elect control unit 230/12V for TEMPOMATIC	209
479648	Replaced by 479748	-	495446BC	Electronic control unit 6V battery operated for TEMPOMATIC	209
479649	Replaced by 479749	-	495499	TEMPOMATIC detector with cable L5m	209
479650	Solenoid valve 6V with flow rate adjustor for TEMPOMATIC 4	209	495606	Solenoid vlv M3/8" 6V + filter for TEMPOMATIC, BINOPTIC basin	209
479748	Solenoid valve D2 6V for TEMPOMATIC basins, urinals, showers	209	495612	Solenoid valve M3/8" 12V with filter for TEMPOMATIC basin	209
479749	Solenoid valve D2 6V for TEMPOMATIC 3	209	495615	Solenoid valve M1/2" 6V +filter for TEMPOMATIC shower+urinal	209
488015	BINOPTIC basin M3/8" tap H.170mm operated by 6V batteries	39	495626	Solenoid vlv M1/2" 12V + filter for TEMPOMATIC basin/urinal	209
48801515	BINOPTIC basin Ø15 for CF tap H.170mm 6V battery operated	39	495626CEB	Solenoid valve 1/2" + cable L.4m for multifunction unit	-
488MCHLH	BINOPTIC MIX basin mix M3/8"r H.170mm operated by 6V batteries	39	495646	Solenoid vlv M1/2" 6V with filter for TEMPOMATIC and BINOPTIC	209
488MCHLH15	BINOPTIC MIX Ø15 for CF mixer H.170mm 6V battery operated	39	498015	BINOPTIC basin M3/8" tap H.250mm operated by 6V batteries	39
490000	TEMPOMATIC MIX 4, basin mix F3/8"rec mains supply +stopcocks	41	49801515	BINOPTIC basin Ø15 for CF tap H.250mm 6V battery operated	39
49000015	TEMPOMATIC MIX 4 basin M1/2" rec mains supply Ø15 stopcocks	41	498MCHLH	BINOPTIC MIX basin M3/8" mixer H.250mm operated by 6V batteries	39
490000LH	TEMPOMATIC MIX 4, basin mix F3/8"rec mains + stopcocks LH	-	498MCHLH15	BINOPTIC MIX Ø15 for CF mixer H.250mm 6V battery operated	39
490001	TEMPOMATIC MIX 4, basin mix F3/8" mains plug + stopcocks	41	500920	ECONOMIX TMV's repair kit	-
49000115	TEMPOMATIC MIX 4 basin M1/2" rec UK mains plug Ø15 stopcocks	41	510120	Clip-on sliding shower soap dish clear for bar Ø25&32	154
490006	TEMPOMATIC MIX 4 basin mixer F3/8" 6V batteries + stopcocks	40	510120N	Clip-on sliding shower soap dish white Nylon for bar Ø25&32	154
49000615	TEMPOMATIC MIX 4 basin mix M1/2" batteries 15mm + stopcocks	40	510580	Liquid soap dispenser 1L polished 304 stainless steel	94
490006LH	TEMPOMATIC MIX 4 basin mix F3/8" 6V batteries +stopcocks LH	-	510581	Liquid soap dispenser 1L white powder-coated 304 st. steel	94
490100	TEMPOMATIC MIX 4, basin mixer F3/8" rec mains supply 230/6V	41	510582	Liquid soap dispenser 1L 304 stainless steel satin finish	94
490100LH	TEMPOMATIC MIX 4, basin mix F3/8"rec mains supply 230/6V LH	-	510583	Liquid soap dispenser 0.5L polished 304 stainless steel	94
490101	TEMPOMATIC MIX 4, basin mixer F3/8" mains plug 230/6V	41	510584	Liquid soap dispenser 0.5L white powder-coated 304 st. steel	94
490106	TEMPOMATIC MIX 4 basin mixer F3/8" with int 6V batteries	40	510586	Liquid soap dispenser 0.5L 304 stainless steel satin finish	94
490106LH	TEMPOMATIC MIX 4 basin mixer F3/8" int 6V batteries + LH	-	510587	*Electronic liquid soap dispenser (while stock then 512066P)	-
490220	Replaced by 490240	-	512066P	Electronic liquid soap dispenser 1L bright pol 304 st steel	94
490230	Replaced by 490241	-	512066S	Electronic liquid soap dispenser 1L pol satin 304 st steel	94
490230EXT	Electrical extension for TEMPOMATIC 4 basin	209	512066W	Electronic liquid soap dispenser 1L white powder-ctd 304 st st	94
490240	Recessed 6V supply for TEMPOMATIC 4 basin from Feb 2016	209	515	Discontinued	-
490241	6V eu. electrical plug for TEMPOMATIC 4 basin from Feb 2016	209	517000	Siphon F1 1/4" w. horizontal outlet Ø32 chrome plated brass	91
490241UK	6V british electrical plug for TEMPOMATIC 4 basin	209	5445T2S	Twin hole wall mtd sink mixer swivel underspout L200	87
490440	Replaced by 490450	-	5460N	Straight bar Ø32 +sliding block H1150 white Nylon	149
490446	Electronic control unit 6V battery operated for TEMPOMATIC 4	209	5460P2	Straight bar Ø32 +sliding block H1150 polished st steel	149
490450	Electronic unit for TEMPOMATIC 4 mains supply from Feb 2016	209	5460S	Straight bar Ø32 +sliding block H1150 st steel satin finish	149
492006	TEMPOMATIC MIX 3 basin mix F3/8" int 6V batteries +stopcocks	-	546400	Replaced by 547000DE + 546412	-
49200615	TEMPOMATIC MIX 3 basin mix M1/2" 6V batteries Ø15 +stopcocks	-	546412	TEMPOFIX 3 frame elec WC SS plate kit 2/2 (+547000DE/547005DE)	177
492006LH	TEMPOMATIC MIX 3 basin mix F3/8" 6V batteries + stopcocks LH	-	547000	TEMPOFIX 3 frame elec WC 26-130mm wall Ø100 kit 1/2 (+546412)	177
492106	TEMPOMATIC MIX 3 basin mixer F3/8" int 6V batteries	-	547005	TEMPOFIX 3 frame elec WC 26-130mm Ø100 kit 1/2 (+546412)	177
492106LH	TEMPOMATIC MIX 3 basin mixer F3/8" int 6V batteries LH	-	564000	TEMPOFIX 3 fr sys WC TEMPOMATIC 230/6V Ø100 wall fix kit1/2	176
492446	Electronic control unit for TEMPOMATIC 3 integ 6V battery	209	564005	TEMPOFIX 3 fr sys WC TEMPOMATIC 230/6V Ø100 self-supp kit1/2	176
492646	Replaced by 479749	-	564060	TEMPOFIX 3 fr sys WC time flow or bat Ø100 wall fix kit1/2	181
493400	TEMPOMATIC MIX 4 basin M1/2" wall-m mix 230/6V rec mains L.160	45	564065	TEMPOFIX 3 fr sys WC time flow or bat Ø100 self-supp kit1/2	176
493406	TEMPOMATIC MIX 4 basin M1/2" wall-m mixer 6V batteries L.160	45	576211	Replaced by 578300DE	-
493410	TEMPOMATIC MIX 4 basin F3/8" mixer CW 230/6V rec mains L.130	45	576212	Replaced by 578212	-

References prefixed by \* are available while stocks last. References are listed in ascending alphanumerical order.

REF.	DESCRIPTION	P.	REF.	DESCRIPTION	P.
576222	Replaced by 578222	-	731300	PREMIX COMFORT T3 group thermostatic mixer M1* 90lpm	-
576227	Replaced by 578400DE	-	731400	PREMIX COMFORT T4 group thermostatic mixer M1 1/4" 140lpm	-
576900	Discontinued	-	731500	PREMIX COMFORT T5 group thermostatic mixer M1 1/2" 190lpm	-
576910	Discontinued	-	732012	PREMIX NANO thermostatic mixer FM3/8" nickel body	90
576MUR	Discontinued	-	732016	PREMIX NANO thermostatic mixer FM3/8" chromed body	90
577001	Discontinued	-	732115	PREMIX NANO thermostatic mixer Ø15mm nickel body	90
577002	Discontinued	-	732116	PREMIX NANO thermostatic mixer Ø15mm chromed body	90
577012	Discontinued	-	732216	PREMIX NANO thermostatic mixer 3/8" chromed body	90
578090	PEHD sleeve connector 100/90	184	732230	PREMIX NANO tmv 3/8" chrome-plated + union kit PEX L.300	90
578100	ABS sleeve connector 100/100	184	732515	Connection kit PEX L300 for PREMIX NANO 732216	211
578110	PEHD sleeve connector 100/110	184	733015	PREMIX COMPACT thermostatic mixer M1/2" rough cast body	90
578212	TEMPOFIX 3 WC frame 6L single flush kit 2/2	182	733016	PREMIX COMPACT thermostatic mixer M1/2" chromed body	90
578222	TEMPOFIX 3 WC frame 3L/6L dual flush kit 2/2	182	733020	PREMIX COMPACT thermostatic mixer M3/4" polished chrome body	90
578230	TEMPOFIX 3 WC frame 70-130mm dual flush kit 2/2	183	733021	PREMIX COMPACT thermostatic mixer M3/4" polished chrome body	90
578300	TEMPOFIX 3 WC frame 10-35 & 70-130mm Ø100 wall fix kit 1/2	182	734100	TEMPOGENOU angled MM1/2" lever L350 ~7sec	46
578305	TEMPOFIX 3 WC frame 10-35 & 70-130mm Ø100 free-stand kit 1/2	182	735400	TEMPOGENOU inline MM1/2" lever L350 ~7sec	46
578400	TEMPOFIX 3 WC frame 30-60mm Ø100 wall fix kit 1/2	183	735447	TEMPOGENOU inline MM1/2", lever L350 ~7sec comp. fittings	-
578405	TEMPOFIX 3 WC frame 30-60mm Ø100 free-standing kit 1/2	183	73544715	TEMPOGENOU inline MM1/2", lever L350 ~7sec comp fit + olives	46
578MUR	Wall reinforcements for TEMPOFIX 3 frame system	184	736001	MONOFOOT floor mounted pedal operated valve MM1/2" stud nut	46
578PMR	TEMPOFIX 3 connection kit, L. 580mm for PMR WC bowl	184	736101	MONOFOOT floor mounted pedal operated vlv MM1/2" without nut	46
580000	Urinal waste Ø63 1 1/4" vand-resist st steel grid ctrl screw	91	736102	MONOFOOT wall mounted pedal operated vlv MM1/2" without nut	46
581000	On/Off washbasin waste 1 1/4" stainless steel valve	91	739000	MIXFOOT floor mounted pedal operated mixer MM1/2" stud nut	46
596000	Deluxe chrome plated blanking cap Ø45	91	739100	MIXFOOT floor mounted pedal operated mixer MM1/2" w-out nut	46
611	HYGIÉNA waste 1 1/4" concave grid, adaptable slotted lantern	91	739102	MIXFOOT wall mounted pedal operated mixer MM1/2" without nut	46
6110	HYGIÉNA waste with concave grid for basins, stainless steel	91	743305	TEMPOSTOP cross wall/lever basin/urinal cartridge ~7sec	210
620	Washbasin pop up waste 1 1/4" chrome plated brass	91	743622	TEMPOFLUX 2 WC 3/4" recessed cartridge/frame 10-35mm ~7sec	211
6712	Hypereco liquid soap dispenser elbow control 0.9L white ABS	94	743623	TEMPOFLUX 2 WC 3/4" cross wall flush vlv cartridge ~7sec time flow	211
682001	Floor trap 100x100 hard floors adj H integrated outlet Ø40	155	743677	TEMPOFLUX 2 WC 3/4" recessed/frame 30-60mm cartridge ~7sec	211
682001UK	Floor trap 100x100 hard floors adj H horiz elbow outlet Ø43	-	743702	Discontinued	-
683001	Floor trap 150x150 hard floors adj H integrated outlet Ø40	155	743732	Maintenance kit for PREMIX NANO	211
683001UK	Floor trap 150x150 hard floors adj H horiz elbow outlet Ø43	-	743765	Recessed TEMPOFLUX 3 cartridge, dual flush 3L/6L	211
683002	Floor trap st steel grid Ø114 vinyl floors integ. outlet Ø40	155	748057	*HOSPITAL time flow trigger hand spray (while stock then 2591)	-
683002UK	Floor trap st steel grid Ø114 vinyl floors elbow outlet Ø43	155	748058	*Time flow h/ spray for bed pans (while stock then D275058)	-
684000	Floor trap with grid 140x140 - vertical outlet Ø40	155	748065	*HYGIÉNA time flow h/ spray for bed pans(whl stk then D275065)	-
705000	Connection washer Ø32/55 with clamp for WC	184	753005	Maintenance kit TEMPOSTOP basin/urinal ~7sec time flow	210
705028	Connection washer Ø28/55 with clamp for WC	184	753730	Maintenance kit for PREMIX COMFORT 3/4" or 1"	211
709000	Recessed vandal proof ROUND shower head M1/2"	145	753731	Replaced by 753730	-
710500	Wall mounted soap dish Bayblend® chrome plated matt	154	753733	Maintenance kit for PREMIX COMPACT	211
710501	Wall mounted soap dish Bayblend® chrome plated bright	154	753735	Maintenance kit for PREMIX COMFORT 1 1/4" and 1 1/2"	211
712000	TONIC JET vandal proof recessed shower head M1/2"	145	753736	Maintenance kit for MONOFOOT	210
712000GR	TONIC JET vandal proof recessed shower head M1/2"	145	753739	Maintenance kit for MIXFOOT	210
729008	Soap dispenser straight spout 1L bottle, chromed brass	95	753750	Maintenance kit for PREMIX SECURITY 3/4" or 1"	211
729012	Soap dispenser curved spout 1L bottle, chromed brass	95	753751	Replaced by 753750	-
729108	Soap dispenser straight spout, tube L1200, chromed brass	95	753755	Maintenance kit for PREMIX SECURITY 1 1/4" and 1 1/2"	211
729112	Soap dispenser curved spout, tube L1200, chromed brass	95	762150	TEMPOFLUX 2 WC cross wall 145 flush valve M3/4" Ø25 ~7sec	173
729150	Wall mounted soap dispenser cross wall 180, chromed	95	762571	TEMPOFLUX 2 WC rec vlv M3/4" for frame ~7sec single flush	-
729302	Maintenance kit for soap dispenser type 729150/729012	211	762572	TEMPOFLUX 2 WC rec vlv M3/4" for frame ~7sec dual flush	-
729303	Cartridge for soap dispenser type 729150/729012	211	762901	TEMPOFLUX 2 WC rec vlv M3/4" with box ~7sec single flush	173
729308	Cartridge for soap dispenser type 729008	211	762902	TEMPOFLUX 2 WC rec valve M3/4" with box ~7sec dual flush	173
729312	Cartridge for soap dispenser type 729012	211	763000	TEMPOFLUX 3 WC F3/4" recessed AB, satin, 3L/6L, kit 2/2	171
729508	Soap dispenser straight spout 0.5L bottle, chromed brass	95	763040	TEMPOFLUX 3 WC recessed AB, chromed, 3L/6L, kit 2/2	171
729512	Soap dispenser curved spout 0.5L bottle, chromed brass	95	763BOX	TEMPOFLUX 3 WC 3/4" valve recessed AB, 3L/6L, kit 1/2	171
730802.2P	2 x Angled isolating ball valve for PREMIX 3/4"	-	763PIM	Satin st st plate for TEMPOFLUX 3 WC recessed AB	211
730803.2P	2 x Angled isolating ball valve for PREMIX 1"	-	763PMM	Metal plate for TEMPOFLUX 3 WC recessed AB	211
730804.2P	2 x Angled isolating ball valves for PREMIX 1 1/4"	-	769400	Recessed/cross wall PVC elbow flush tube Ø32	184
731002	PREMIX COMFORT 55 group thermostatic mixer M3/4" 55lpm	155	769500	Rec/c-wall PVC elbow flush tube + connection washer Ø32/55	184
731003	PREMIX COMFORT 90 group thermostatic mixer M1* 90lpm	155	790152	Aluminium extension for shower panel	154
731004	PREMIX COMFORT 140 group thermostatic mixer M1 1/4" 140lpm	155	790153	Stainless steel telescopic extension for shower panel	154
731005	PREMIX COMFORT 190 group thermostatic mixer M1 1/2" 190lpm	155	790BOX	Recessed waterproof box for shower mixer - Kit 1/2	107
731052	PREMIX SECURITY 55 group thermostatic mixer M3/4" 55lpm	155	792320	SECURITHERM therm alu panel top inlets ~30sec handset +fixed	124
731053	PREMIX SECURITY 90 group thermostatic mixer M1* 90lpm	155	792324	SECURITHERM therm SS panel top inlets ~30sec handset + fixed	125
731054	PREMIX SECURITY 140 group thermostatic mixer M1 1/4" 140lpm	155	792330	SECURITHERM therm alu panel rear inlet ~30sec handset +fixed	124
731055	PREMIX SECURITY 190 group thermostatic mixer M1 1/2" 190lpm	155	792334	SECURITHERM therm SS panel rear inlet ~30sec handset + fixed	125
731200	PREMIX COMFORT T2 group thermostatic mixer M3/4" 55lpm	-	792344	SECURITHERM st steel therm sh panel top inlets + handspray	125

References prefixed by \* are available while stocks last. References are listed in ascending alphanumerical order.

REF.	DESCRIPTION	P.	REF.	DESCRIPTION	P.
792354	SECURITHERM st steel therm sh panel back inlets + handspray	125	845527.2P	2 × Fastfix Connector for walls for pipes Ø15 M3/4"	93
792380	SECURITHERM therm alu sh panel hidden inlets handset + fix	124	846815.2P	Discontinued	-
792390	SECURITHERM therm alu sh panel top inlets handset + fix	124	847327.2P	Replaced by 855755UK.2P	-
79239015	SECURITHERM alu shower panel top inlets Ø15 handset + fix	124	850	Shelf for dual control thermostatic shower mixers	154
792400	SECURITHERM therm alum shower panel 6V battery-op top inlets	122	855027.2P	*2 × offset S/P unions (while stock then 855755.2P)	-
79240015	SECURITHERM therm alu sh panel 6V battery-op top inlets Ø15	122	855027KIT	Discontinued	-
792403	SECURITHERM st steel therm sh panel 6V battery-op top inlets	123	855755.2P	2 × STOP/CHECK unions M1/2"-M3/4", offset 12mm	152
792404	SECURITHERM SS therm sh panel 6V batt-op top inlets soapdish	123	855755UK.2P	2 × STOP/CHECK unions M1/2"-M3/4" inline	152
79240415	SECURITHERM SS therm sh panel 6V batt-op top inlets Ø15 soap	123	856027.2P	2 × S union M1/2" M3/4" with cover plate, offset 12mm	152
792406	Replaced by 792404	-	856127.2P	2 × S union M1/2" M3/4" with cover plate, offset 11mm	152
792410	SECURITHERM therm alum shower panel 6V batt-op back inlets	122	856794.2P	2 × S union M1/2" M3/4" with cover plate, offset 11mm	152
792410UK	SECURITHERM therm alu shower panel UK 6V batt-op back inlets	122	857027.2P	2 × S union M1/2" M3/4" with cover plate, offset 21mm	-
792413	SECURITHERM st steel therm sh panel 6V batt-op back inlet	123	865127.2P	2 × Pillar unions M1/2" M3/4", without nut H64	153
792414	SECURITHERM SS therm sh panel 6V batt-op back inlets + soap	123	868121	Wall mounted elbow outlet MM1/2" H33 for shower	153
792416	*SECURITHERM therm shower panel (while stock then 792414)	-	870027.2P	2 × Deluxe pillar unions M1/2" M3/4", H70 Ø14	153
792504	SECURITHERM st st therm shower panel 230/6V top inlet + soap	123	880	Auto-draining device for shower mixers	152
792514	SECURITHERM SS therm shower panel 230/6V back inlets + soap	123	9102	Wall mounted safety eye wash with bowl	204
800	Discontinued	-	9108	Horizontal safety wall mounted shower	203
801	Single jet shower kit with bar Ø22	148	9120C	Wall-mounted single spray eye wash + identification sign	205
802	Discontinued	-	9121	Wall-mounted dual spray eye wash + identification sign	205
803	5 jet shower kit with bar Ø25	148	9140C	Deck-mounted single spray eye wash + identification sign	205
806	Single jet shower kit with bar Ø25	148	9141	Deck-mounted dual spray eye wash + identification sign	205
807792	Removable push-fit rapid STOP connector FM1/2" for sh panel	153	91AA75	Safety aerator covers for eye wash	205
809.50P	Replaced by 809B.25P or 809Y.25P	-	9201	Safety free standing eye wash with bowl	204
809B.25P	25 × blue disposable shower kits	148	9203	Safety free standing eye wash and shower combination	202
809Y.25P	25 × yellow disposable shower kits	148	921022.2P	2 × Star shaped flow straightener F22/100	97
810	Replaced by 811	-	921022.50P	50 × Star shaped flow straightener F22/100	97
811	Single jet shower head M1/2" chrome Ø70, scale resistant	150	921024.2P	2 × Star shaped flow straightener M24/100	97
811610.2P	2 × Copper tails M10 × 1 L365mm	93	921024.50P	50 × Star shaped flow straightener M24/100	97
811611.2P	2 × Copper tails M11 × 1 L365mm	93	922022.2P	2 × Eco flow straightener adjustable flow rate F22/100	49/97
811612.2P	2 × Copper tails M10 × 1 L385mm	93	922024.2P	2 × Eco flow straightener adjustable flow rate M24/100	49/97
813	5 jet shower head M1/2" chrome Ø100, scale resistant	150	9225	Safety shower head	203
814	Replaced by 813/815	-	922640	BIOSAFE outlet with flow straightener holder and flat seal	208
815	Single jet shower head M1/2" Ø100, scale resistant	150	923022	BIOSAFE outlet with collar F22×100, 5L	49/97
816	Twin jet shower head M1/2" with inverter, scale resistant	150	923022.50P	50 × BIOSAFE outlet with collar F22×100, 5L	97
820	Chrome rail Ø22 can be cut, with soap dish 620mm centres	149	923024	BIOSAFE outlet with collar M24×100, 5L	49/97
820022	Push-fit connector F22/100 for BIOFIL cartridge A	26	923024.50P	50 × BIOSAFE outlet with collar M24×100, 5L	97
820023	Push-fit union M1/2" for BIOFIL cartridge A and shower head	26/27	924022	Discontinued	-
820024	Push-fit connector M24/100 for BIOFIL cartridge A	26	924024	Discontinued	-
820025	Push-fit connector M24/125 for BIOFIL cartridge A	26	941120	Wall mounted fixed L-shaped spout M1/2" L120 - H60 adj FS	48
820026	Push-fit connector M16.5×100 for BIOFIL cartridge A	26	941202	Discontinued	-
820122	Push-fit connector F22/100 for BIOFIL cartridge P	26	941922	Wall mtd L-shaped spout for panels 1-10mm M1/2" L120 H60 FS	48
820124	Push-fit connector M24/100 for BIOFIL cartridge P	26	942040	Spout for cross wall 30mm M1/2" L75 flow straightener	48
820126	Push-fit connector M16.5×100 for BIOFIL cartridge P	26	942200	Spout for cross wall 230mm M1/2" L75 flow straightener	48
821	Chrome rail Ø25 can be cut, with soap dish 540mm centres	149	943150	Swivelling under spout L. 150mm, F3/4"	208
826315	Back-nut F1/2" 4mm thick with 3 screws and washer	48	943200	Under spout L200 F3/4"	208
828	Replaced by 830	-	943200100M	Tubular swivel spout Ø22, H.105 L.200mm nut 3/4" (for 2519)	208
830	Shower head retaining collar for bars Ø 25-35mm	154	943200110	Tubular swivel under spout Ø22 L200mm, nut 3/4" and brass FS	-
830T1	Black polyamide flexible shower hose L1.5m	151	943300110	Tubular swivel under spout Ø22 H.80 L.300mm, nut 3/4"	208
831T1	Discontinued	-	947085	Discontinued	-
832T1	Reinforced metal flexible shower hose double interlock L1.5m	151	947120	Wall mounted fixed spout M1/2" L.110 H16 Ø32 adjustable FS	48
833T1	Replaced by 835T1	-	947135	Wall mtd fixed spout M1/2" L120 H16 Ø32 adj FS + plate Ø60	48
834T1	Metalloplastic BIOCOLOR PVC smooth flexible hose L1.5 m	151	947151	Fixed spout for walls 165mm M1/2" L120 Ø32 adjustable FS	48
834T2	Metalloplastic BIOCOLOR PVC smooth flexible hose L2.00 m	151	947170	Wall mounted fixed spout M1/2" L160 H16 Ø32 adjustable FS	48
834T3	Metalloplastic BIOCOLOR PVC smooth flexible hose L0.85 m	151	947185	*Wall mtd spt M1/2 L170 H16 Ø32 plate Ø60(whl stk thn947170)	-
834T4	Metalloplastic BIOCOLOR PVC smooth flexible hose L1.2 m	151	963150125F	Swivelling tubular over spout Ø 22, H.115 L.150 nut 3/4"	208
835T1	Black nylon flexible for sink hand spray L1.5m	151	963150923F	Tube swivel spout Ø22 BIOSAFE open flow outlet H100 L150mm	208
836T1	Reinforced PVC SILVER flexible shower hose L1.5m	151	963200145F	Tubular swivel overspout Ø22, H.135 L.200mm nut 3/4"	208
836T3	Reinforced PVC SILVER flexible shower hose L0.85m	151	963200245F	Tubular swivel overspout Ø22, H.230 L.200mm nut 3/4"	208
837T4	Transparent flexible hose L.1.60m for retracting hand spray	151	963200923F	Tube swivel spout Ø22 BIOSAFE open flow outlet H120 L200mm	208
840	Replaced by 845	-	963300145F	Tubular swivelling overspout Ø22, H.120 L.300mm, nut 3/4"	208
841315	Chromed backplate elbow MF1/2" with stud nut Ø14	161	963300245F	Tubular swivel overspout Ø22, H.230 L.300mm, nut 3/4"	208
844	Discontinued	-	963300923F	Tubular swivelling spout Ø22, BIOSAFE outlet, H230 L300	208
845	Adjustable shower head holder chrome	154	967152	Swivel swan neck spout M1/2" L150 H120 adj flow straightener	49

References prefixed by \* are available while stocks last. References are listed in ascending alphanumerical order.

REF.	DESCRIPTION	P.	REF.	DESCRIPTION	P.
967202	Swivel swan neck spout M1/2" L200 H200 adj flow straightener	49	H9639	SECURITHERM sequential shower panel flexible inlets	127
969024.2P	2 x Spout reducer M1/2", M24/100	-	H963915	SECURITHERM sequential shower panel copper inlets Ø15	127
981142	Fixed cast spout M1/2" L140 H120 adj flow straightener	49	H9640	SECURITHERM thermostatic seq shower top outlet offset SC	104
983615	ECONOMIX 15/3 thermostatic mixing valve	155	H964015	SECURITHERM therm seq shower mixer top outlet inline SC, 15mm	104
983622	*ECONOMIX 22/3 thermostatic mixing valve (while stock)	-	H96405	SECURITHERM thermostatic seq shower top outlet offset std	104
990123	2 x Lithium batteries 3V type 123A for elect unit 495446BC	209	H9641	SECURITHERM thermostatic sequential exposed shower kit	106
990223	Lithium battery 6V type 223 for units 479446, 490446, 492446	209	H964115	SECURITHERM thermostatic sequential exposed shower kit, 15mm	106
993615	ECONOMIX 15/3 Combi thermostatic mixing	155	H9642	Remote therm sequential sink mixer for retracting hand spray	57
993622	* ECONOMIX 22/3 Combi thermostatic mixing (while stock)	-	H9716	SECURITHERM therm sink mixer with swivelling spout H225 L190	59
999049	4 x Vandal proof screws TORX M5x25 + pegs	208	H9718	Replaced by H9610	-
A22D75	Safety aerator F22/100 for drench hose	205	H9718S	Replaced by H9610S	-
A22LY75	Safety aerator F22/100 for eye wash	205	H9719P	Replaced by H9611P	-
BA9915	2 x 15mm Combi angled inlet assembly	211	H9726	SECURITHERM thermostatic basin mixer swivel spout H205 L150mm	59
BA9922	Discontinued	-	H9739	SECURITHERM thermostatic shower mixer, offset SC	116
C151AH75	2 x Connectors with non-return valve FM3/8"	93	H9739HYG	Auto-drain shower kit with therm mixer H9739, offset SC	117
C282025	2.5mm Allen key to adjust flow rate on Eco flow straightener	49/97	H9739KIT	Shower kit with thermostatic mixer H9739, offset SC	117
C291AH75	2 x Connectors with non-return valves FM1/2"	93	H9739S	SECURITHERM thermostatic shower mixer, offset std	116
CEL378150V	Detector + L1.50m cable for BINOPTIC, TEMPOMATIC 2	209	H9739SHYG	Auto-drain shower kit with therm mixer H9739S, offset std	117
CEL378499V	Detector + L5m cable for BINOPTIC, TEMPOMATIC 2	209	H9739SKIT	Shower kit with thermostatic mixer H9739S, offset std	117
CEL378V	Detector + L0.70m cable for BINOPTIC, TEMPOMATIC 2	209	H9741	SECURITHERM thermostatic Securitouch shower mixer, offset SC	114
CF	Vandal proof adjustable nozzle M24x1.25 limited to 10 lpm	145	H9741HYG	AD shower kit with Securitouch therm mixer H9741, offset SC	115
D273015	Deck mounted tap MM1/2"	-	H9741KIT	Shower kit with Securitouch therm mixer H9741, offset SC	115
D275058	Bed pan push button operated hand spray with stopcock	160	H9741S	SECURITHERM thermostatic Securitouch shower mixer offset std	114
D275065	Bed pan trigger hand spray with flow straightener, stopcock	160	H9741SHYG	AD shower kit with Securitouch therm mixer H9741S offset std	115
D276020	Wall mounted tap for washing machines M1/2", M3/4"	-	H9741SKIT	Shower kit with Securitouch therm mixer H9741S, offset std	115
FLEXPEX2	2 x PEX Flexible connector M10x1 F3/8" L.412mm	93	H9741TP	SECURITHERM therm Securitouch shower mixer inline, SC TMV3	114
FLEXPEX3	2 x PEX flexible connector M10x1 F3/8" L525mm	93	H9752P	SECURITHERM therm Securitouch shower bath mixer, inline SC	114
FLEXPEX4	2 x PEX flexible connector M10x1 F3/8" L660mm	93	H9752S	SECURITHERM therm Securitouch shower bath mixer, offset std	114
FLEXPEX6	2 x PEX flexibles, rotating L.467mm	93	H9769	SECURITHERM thermostatic BIOSAFE shower mixer, offset SC	112
H9600	SECURITHERM thermostatic sequential basin mixer H85 L120	56	H9769HYG	AD shower kit with Securitouch therm mixer H9769, offset SC	113
H96001	SECURITHERM sequential basin mixer H85 L120, no stopcocks	56	H9769KIT	Shower kit with Securitouch therm mixer H9769, offset SC	113
H960015	SECURITHERM sequential basin mixer H85 L120, lever L146 15mm	56	H9769S	SECURITHERM thermostatic BIOSAFE shower mixer, offset std	112
H960015L	SECURITHERM sequential basin mixer H85 L120, lever L100 15mm	56	H9769SHYG	AD shower kit with Securitouch therm mixer H9769S offset std	113
H9600610	SECURITHERM seq basin mixer H85 L120 lever L146 copper tails	56	H9769SKIT	Shower kit with Securitouch therm mixer H9769S, offset std	113
H9600610L	SECURITHERM seq basin mixer H85 L120 lever L100 copper tails	56	N009AG75	Ceramic cartridge Ø40 with base plate and flow rate limiter	210
H9605	SECURITHERM therm sequential BIOCLIP basin mixer H85 L120mm	56	N109AG75	Ceramic cartridge Ø40 with base plate, no flow rate limiter	210
H96051	SECURITHERM seq BIOCLIP basin mixer H85 L120 no stopcock	56	N148AA75	Ceramic cartridge Ø40 no base, no flow rate limiter	210
H960515	SECURITHERM seq BIOCLIP basin mixer H.85 L.120 L.146, 15mm	56	N201AG75	Ceramic cartridge Ø40 no base flow limiter for elec. models	210
H960515L	SECURITHERM seq BIOCLIP basin mixer H.85 L.120 L.100, 15mm	56	N243	Ø35mm ceramic sequential cartridge with base	210
H9605610	SECURITHERM seq BIOCLIP basin mix H85 L120 lever L146 copper	56	N243i	Sequential Ø 35mm ceramic cartridge with base + link	210
H9605610L	SECURITHERM seq BIOCLIP basin mix H85 L120 lever L100 copper	56	N248AA75	Ceramic cartridge Ø40 no base with flow rate limiter	210
H9610	SECURITHERM therm seq mixer disp BIOCLIP spout offset SC	58	N252	Ceramic pressure balancing EP cartridge Ø40 with base plate	210
H9610S	SECURITHERM therm seq mixer disp BIOCLIP spout offset std	58	N262	Ceramic cartridge Ø35 with EP Pressure Balancing	210
H9611P	SECURITHERM seq sink mix SS BIOCLIP spout c-c 150 inline SC	58	N324AG75	Discontinued	-
H9612	SECURITHERM therm sink mixer swl spt/ret spray, short lever	57	N421AJ75	Thermostatic cartridge 1/2" NF	-
H9613	SECURITHERM therm sink mixer +column with retracting handset	57	N434AH75	Cartridge Ø35 without base plate for 3020, 2303 & 2312 range	-
H9614P	SECURITHERM seq mixer st st BIOCLIP spout c-c 200 inline SC	58	N96	SECURITHERM thermostatic cartridge for basin/snk H9610/ 14P/11	210
H9615	SECURITHERM therm seq mixer st steel BIOCLIP spout w columns	58	N9630	SECURITHERM thermostatic cartridge for showers H9630/40	210
H9630	SECURITHERM therm seq shower mix bottom outlet, offset SC	104	N96L	SECURITHERM thermostatic cartridge for basin/snk H9600/05	210
H963015	SECURITHERM therm seq shower mixer btm outlet inline SC, 15mm	104	N9719	Discontinued	-
H9630HYG	Auto-drain shower kit with therm seq mixer H9630, offset SC	105	N9726	Thermostatic cartridge for SECURITHERM basin H9726	210
H9630KIT	Shower kit with therm sequential mixer H9630, offset SC	105	N9769	Thermostatic cartridge for SECURITHERM H9769	210
H9630S	SECURITHERM therm seq shower mix btm outlet, offset std	104	N97L	Thermostatic cartridge for SECURITHERM shower H9739/S	210
H9630SHYG	Auto-drain shower kit with therm seq mixer H9630S offset std	105	N97LR	Thermostatic cartridge for SECURITHERM shower H9741/52S	210
H9630SKIT	Shower kit with therm sequential mixer H9630S, offset std	105	NS262	Ceramic cartridge Ø35 with base plate	210
H9632	SECURITHERM seq recessed waterproof shower kit 2/2 (+790BOX)	107	NSB262	Ø35mm ceramic cartridge with base and centering ring	210
H9634	SECURITHERM thermostatic sequential shower panel back inlets	127	P120AA75	Guided washer head Ø22.5 + cover (5800 range)	210
H9635	SECURITHERM therm seq shower panel back inlets + handset	127	P418AJ75	Discontinued	-
H9636	SECURITHERM sequential shower panel flexi inlets w. handset	127	P482AJ75	Ceramic head 1/2" 1/4 right turn	211
H963615	SECURITHERM sequential shower panel copper inlets w. handset	127	P9775	SECURITHERM ceramic head 1/2" 1/4 turn	210

References prefixed by \* are available while stocks last. References are listed in ascending alphanumerical order.







**The general terms and conditions are valid for all customers.**

#### **ORDERS AND QUOTATIONS:**

These will be processed in order of receipt.

We do not accept open orders or orders for call-off.

All orders sent imply acceptance of our general terms and conditions of sale and customers waive any claims that may arise from clauses in their own documentation which may differ.

The customer agrees to these terms from the moment that we receive their order, which cannot be cancelled. Orders are accepted without obligation to deliver the order in full in one delivery.

Our commercial representatives are not authorised to agree additional terms verbally, or to provide verbal guarantees beyond those provided in the written contract. In the event of default or delayed payment, the Company will be entitled to suspend deliveries or cancel existing orders without any claim for damages from the customer. In the event of a change in circumstances of the buyer, we reserve the right to cancel existing orders or to demand payment guarantees.

Our quotes do not amount to specifications; specifiers and professional installers are solely responsible for the choice of products according to their intended use, current regulations and recommended guidelines.

#### **PRICE:**

Deliveries are invoiced according to the conditions in place at the date of despatch. Prices are given without guarantee and they may be changed without notice subject to fluctuations in costs, VAT or other taxes, according to the prevailing economic conditions.

Price increases will be announced one month prior to their application, and they apply to quotes and orders in hand.

#### **PAYMENTS:**

Terms of payments are confirmed when an account is opened, and are dependent on the terms of our credit insurance, and according to each country. We do not give discount for early payment.

In accordance with Article L441-6 of the Commercial Code, any delay in payment will give rise to the following from the first day of delay, regardless of their status with the supplier:

- An interest rate for delayed payment will be applied, equal to the European Central Bank refinancing rate plus 10% (French Law of Modernization of the Economy - LME - No. 2008-776 of 4th August 2008);
- A one-off payment of 40 Euros will apply to cover expenses (European Directive 2011/7 of 16th February 2011, Law 2012-387 of 22nd March 2012, and Decree 2012-1115 of 2nd October, 2012);
- When the recovery costs exceed the amount of the one-off payment, additional compensation will apply where justified.

In the case of late payment, a one-off payment may be required, replacing existing conditions. We will not accept any set off, only our assets have a legal value.

#### **DELIVERY TIMES:**

Despatch dates are indicative only and we shall not be liable for any delay or failure in carrying out our obligations where the delay or failure to deliver is caused by risks of manufacturing or where the cause is beyond our control. Delivery delay will not give rise to compensation payment or goods rejection.

#### **SHIPPING:**

Orders are sent to our distributors. We do not deliver to site. The buyer assumes responsibility for carriage and packing costs unless otherwise stated in the Incoterms on the invoice accompanying the goods. The goods are always forwarded at the buyer's own risk, whatever the method of transport, even if the carriage is free and special conditions have been granted. The carrier is solely responsible for their delivery, and in the event of delay, missing items, damage or other dispute, the customer must indicate this via the delivery driver's paperwork (either electronically or in hard copy) AND follow up with written notification sent by recorded delivery within 24 hours. A copy of this letter must be addressed to us.

#### **CLAIMS:**

No claim will be allowed where the delay in reporting exceeds 8 days following receipt of the goods.

The whole of the delivery cannot be rejected because of partial damages and shortages.

#### **PROPERTY IN GOODS:**

Notwithstanding any agreed terms of sale, the goods shall remain the property of the seller until payment is made in full. The failure to meet a payment deadline may result in the reclamation of these goods.

The buyer assumes the risks of loss or damage, regardless of the means of delivery, as described in 'DELIVERY TIMES' and 'SHIPPING' above, as well as liability for the damage they might cause.

#### **WARRANTY AND RESPONSIBILITY:**

Our products are warrantied against any manufacturing defect for a period of 10 years, including electronic controls, excluding other electrical accessories (e.g. hand dryers, etc.) which have a 3-year warranty from the invoice date. This does not apply to products with an expiry date. This warranty is limited to replacement or repair of defective components as determined by our workshops in France but excludes the costs of spoilage, handling and carriage or compensation whatever they are. We are not responsible for handling charges and the cost of returning products to our workshops.

Disasters or major water damage as a result of manufacturing defects are covered by our product and/or public liability insurance.

Our warranty and responsibility does not include the following:

- installation that does not comply with the technical specification or current recommended guidelines;
- worn parts;
- non-compliance with installation, user and maintenance guides;
- other factors independent of our products' quality, for example: detergents or abrasive cleaning products, the action of hard water, foreign bodies (e.g. gravel, sand, iron filings, scale, etc.), chemical and electrolytic phenomenon;
- lack of supervision, poor storage or poor maintenance;
- product modifications or actions by the customer, or a third party, without our authorisation using non-DELABIE components and/or consumable items.
- products past their expiry date.

The water-tightness of connections, joints and the product housing is the responsibility of the professional responsible for installation, and must be guaranteed by them. Warranty excludes joints, valves, washers and rubber seals. However they would be supplied if the warranty application requires them. Any finishes other than chrome or nickel are also excluded from the warranty. In the event that the product has been discontinued or manufacturing methods have changed and replacements are not available, similar alternative products will be offered. Replacement under warranty will not extend the duration of the original warranty.

Legal warranty of latent defects applies in any event.

#### **SPARE PARTS:**

Spare parts and mechanisms that are essential to ensure the correct operation of our products will be held in stock for the duration of the guarantee. They are listed at the back of our catalogues.

#### **RETURNS:**

Goods may not be returned to us for credit without our prior written approval obtained by the buyer from the Company and they are received in a good state (determined by our goods inwards department). All transportation costs for returned goods must be paid by the buyer. Goods must be returned to our factory\* with good protective packaging. Deliveries less than a month old will be refunded at the invoiced price. For deliveries older than one month, a deduction will be made for checking, handling and administration costs. A repair and re-stocking fee will apply where appropriate.

Product returns are not permitted in the following circumstances: discontinued products, specially manufactured products, technical or aesthetic evolution of the product since the date of purchase, scratched or damaged products, products purchased more than one year previously, products with an expiry date. If sent to DELABIE, those products outside the scope of returns will be immediately destroyed/recycled, and will not be returned to the customer.

The schedule of standard deductions is as follows:

- return less than 1 month: refund at invoiced price
- return between 1 and 3 months: deduction of 15%
- return between 3 months and 1 year: deduction of 30%
- return after 1 year: no refund possible.
- return without prior agreement: additional deduction of 5% of the value of the goods with a minimum value of €50 excl. VAT.

\* DELABIE S.C.S.

18, rue du Maréchal Foch  
80130 Friville Escarbotin – FRANCE

#### **CLEANING - MAINTENANCE:**

Clean with slightly soapy water only, using a soft cloth or sponge, rinse and dry thoroughly. Do not use abrasive or chlorine-based products (with a hydrochloric acid base), or dyes.

#### **PHOTOGRAPHS AND DRAWINGS:**

All photos, drawings or illustrations are for illustrative purposes only, without contractual obligation, and may be subject to change without notice.

We reserve the right to modify designs and dimensions without notice and without recourse. This applies to all references, dimensions, information contained in various documents, catalogues, installation guides, price lists and websites, which can be modified or discontinued at any time without notice.

#### **INTELLECTUAL PROPERTY AND USE OF CONTENT:**

The content (including but not limited to the information, text, graphics, data, images, photos, visuals, videos and soundtrack, and the format of all these elements and our catalogues, websites, etc.) are protected under copyright and/or other intellectual property. The contents are the sole property of their respective editors. Any copying, reproduction, use, adaptation, alteration, modification, translation, dissemination, complete or partial, of content, whether they belong to DELABIE or a third party which has granted the rights to DELABIE, by any means whatsoever, is illegal except for the limiting rights that are granted below, and/or private copying for the exclusive use of the copier. The content presented in our communication and business tools may be subject to change without notice and are provided without warranty of any kind, express or implied, and cannot give rise to any right to compensation. Protected content may be specifically identified by the following copyright notices: © or "All rights reserved".

The names and logos appearing in our catalogues and websites are registered trademarks. These distinctive marks are the exclusive property of DELABIE or third parties who have granted the rights to DELABIE. Any use, complete or partial reproduction, or imitation of these marks is prohibited without prior express consent of DELABIE.

Alteration and modification of the contents or their use for any purpose other than that authorised, constitute an infringement of DELABIE's, or a third party's, property rights. With the following limitations, DELABIE grants you the right to download and distribute the content:

- where the download function exists
- for non-commercial purposes
- in good faith
- for maintaining the proprietary notices intact, and for the publication or posting of existing content online, if such information is stated. This right should in no way be interpreted as a trademark or copyright license for the aforementioned content.

#### **PERSONAL DATA PROTECTION:**

In line with the General Data Protection Regulation (GDPR), DELABIE is doing everything necessary to limit to a bare minimum the collection of personal data, and its conservation and ensure its protection.

DELABIE only uses this data for its own use for purposes of information and commercialisation of its products. It is not, under any circumstances, given to third parties.

The right of access, rectification, removal and opposition to the processing in addition to the limitation and transferability of your data is possible on request to our Data Protection Officer (DPO) at DELABIE via email (dpo@delabie.fr) or recorded delivery with a photocopy of a photo ID to the following address: DELABIE, 18 rue du Maréchal Foch, 80130 FRIVILLE, France.

#### **EXCLUSIVE TERRITORIES:**

In most countries throughout the world, our company has entered into exclusive agreements with organisations to import and distribute our products. Within this framework, our clients cannot sell our products outside their national borders without an express prior agreement on our part.

#### **JURISDICTION:**

Acceptance of an order delivered from France settles the contract under the French law. All disputes arising from the present contract will be settled definitively by the Court located in the area of our domicile, even in the event of multiple defendants, regardless of the delivery location or stipulated payment. All clauses to the contrary will be considered null by the mere fact of having dealt with our company.

**AVAILABLE CATALOGUES:**

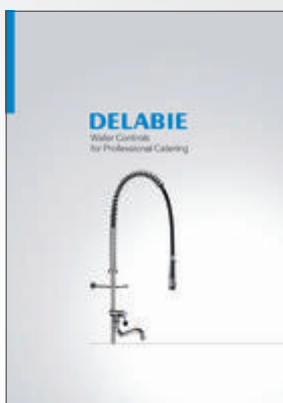
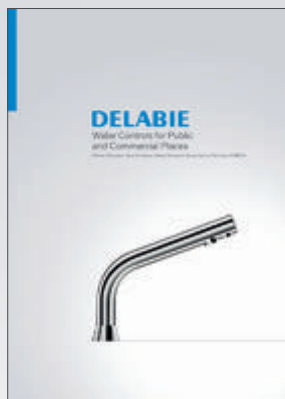
**DOC 609INT:** Water Controls for Public and Commercial Places

**DOC 950INT:** Accessibility and Independence - Hygienic Accessories for Public and Commercial Places

**DOC 900INT:** Water Controls for Healthcare Facilities and Retirement Homes

**DOC 750INT:** Stainless Steel Sanitary Ware

**DOC 200INT:** Water Controls for Professional Catering



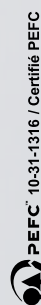
**DELABIE**

18, rue du Maréchal Foch  
80130 FRIVILLE - FRANCE

DELABIE S.C.S., share capital 1.000.000 € - RCS 615 680 089 Amiens



3 456330 141529



DOC 900INT - 10/2019